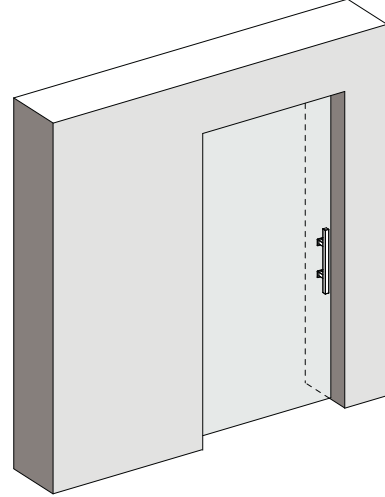
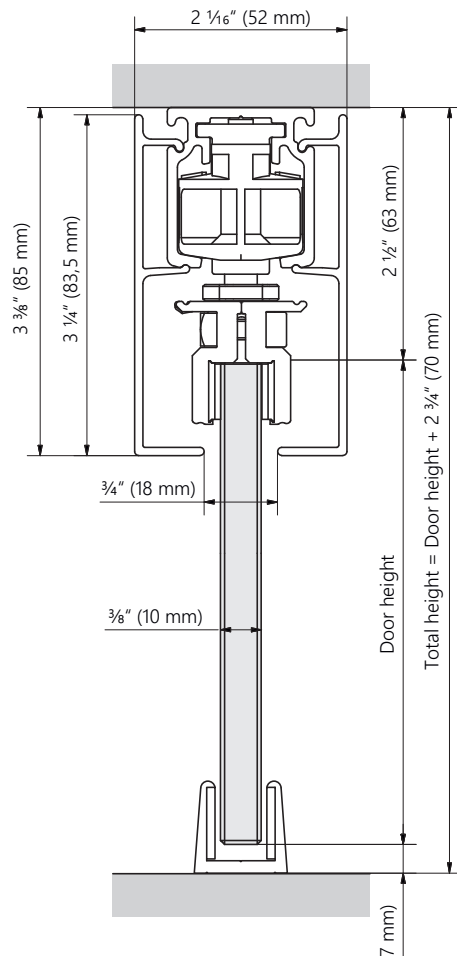
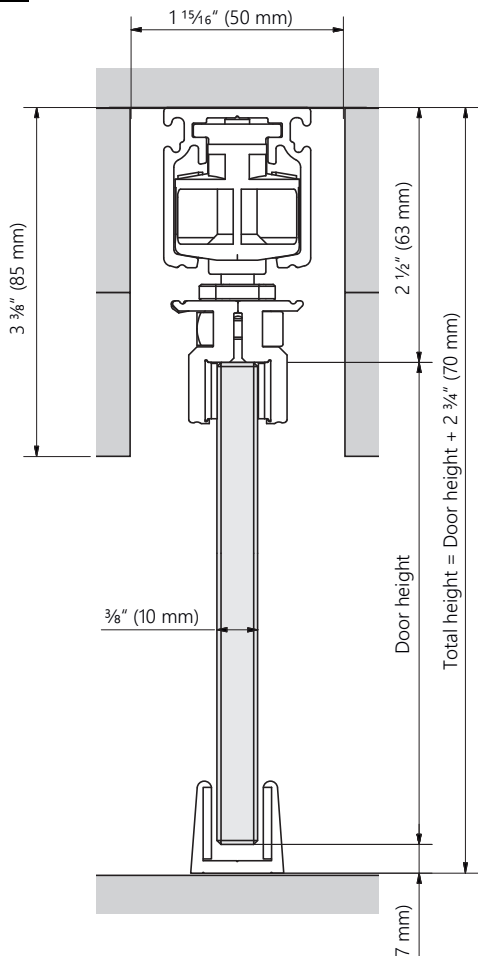


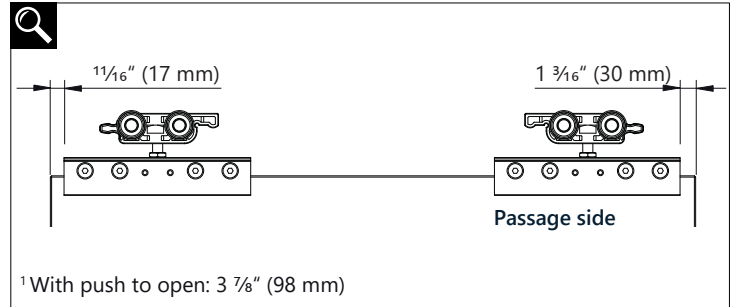
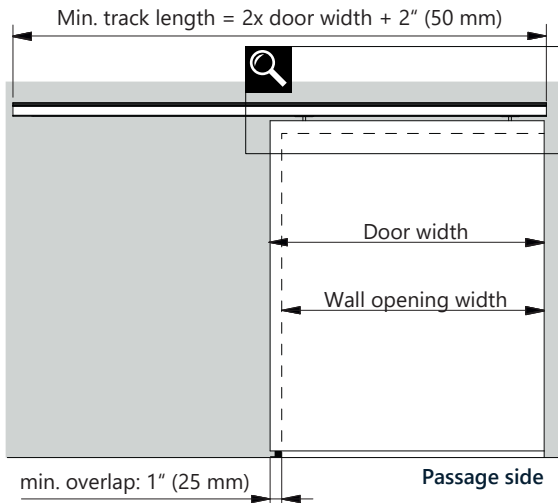
Sliding door hardware
 for glass doors
 up to 176 lb (80 kg)



i



i

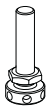


When installing a wood door, double door or the glass-clamb-valance, please follow the instructions provided separately.

i Content

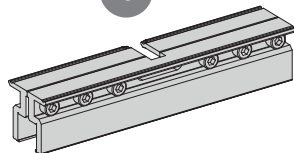
2x

a



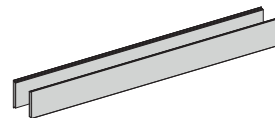
2x

b



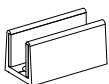
2x

c



1x

d

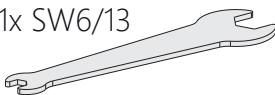


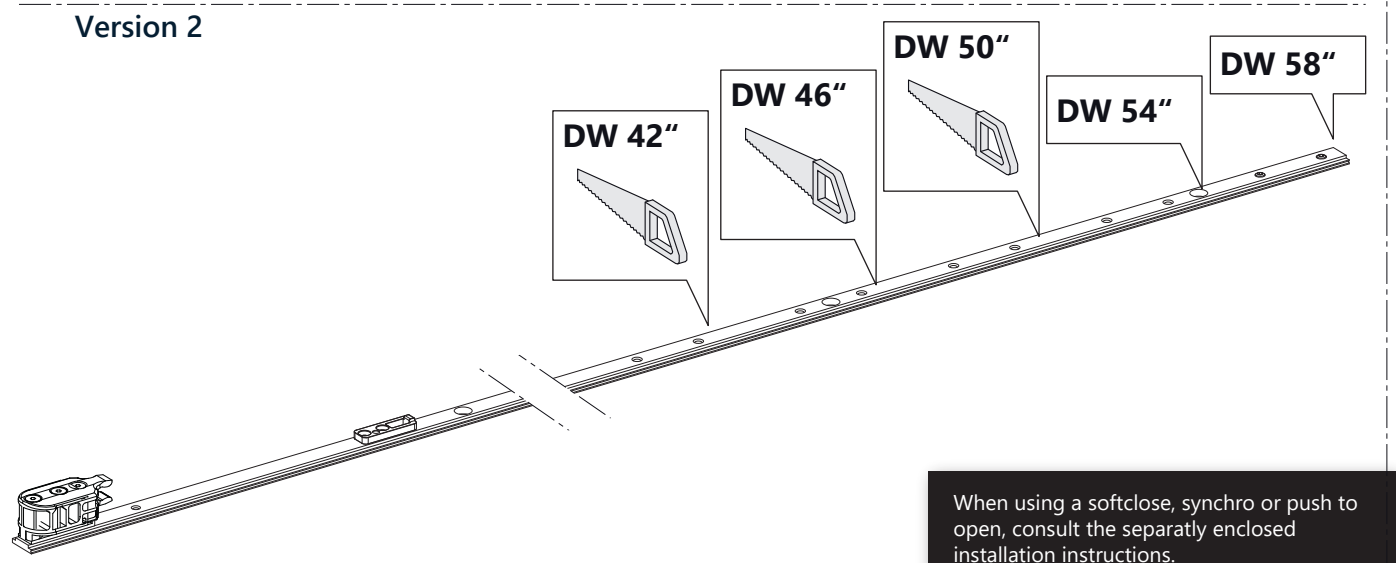
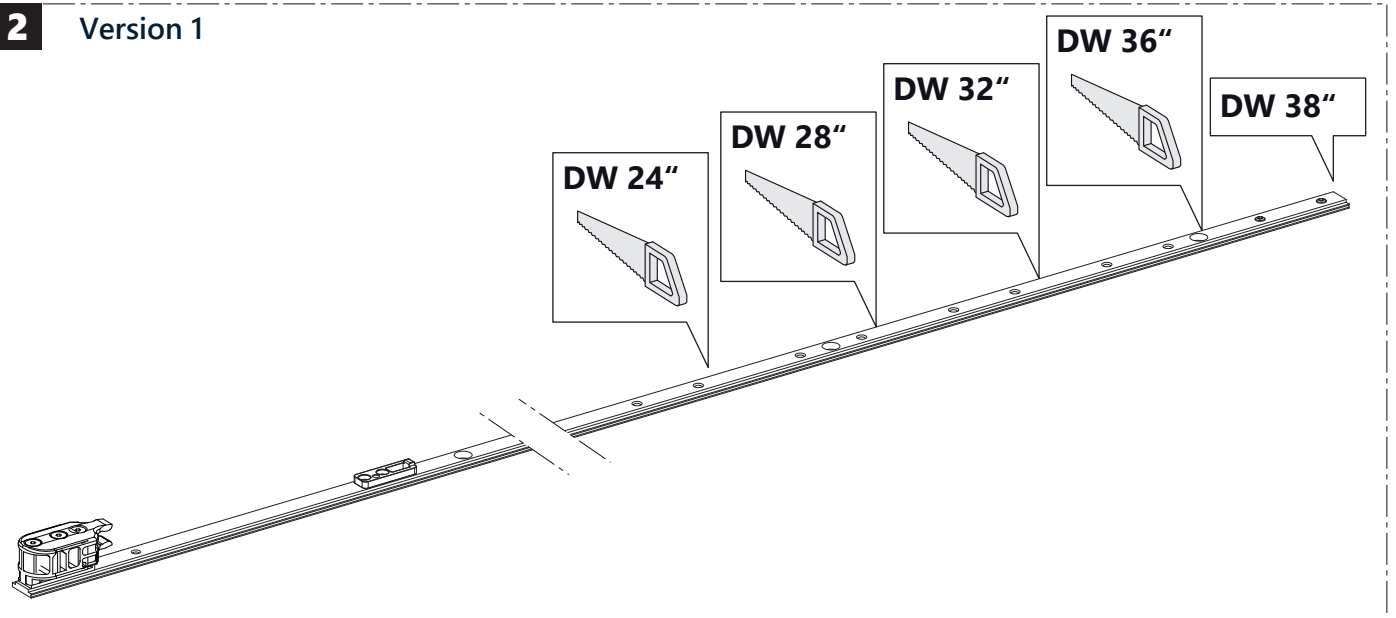
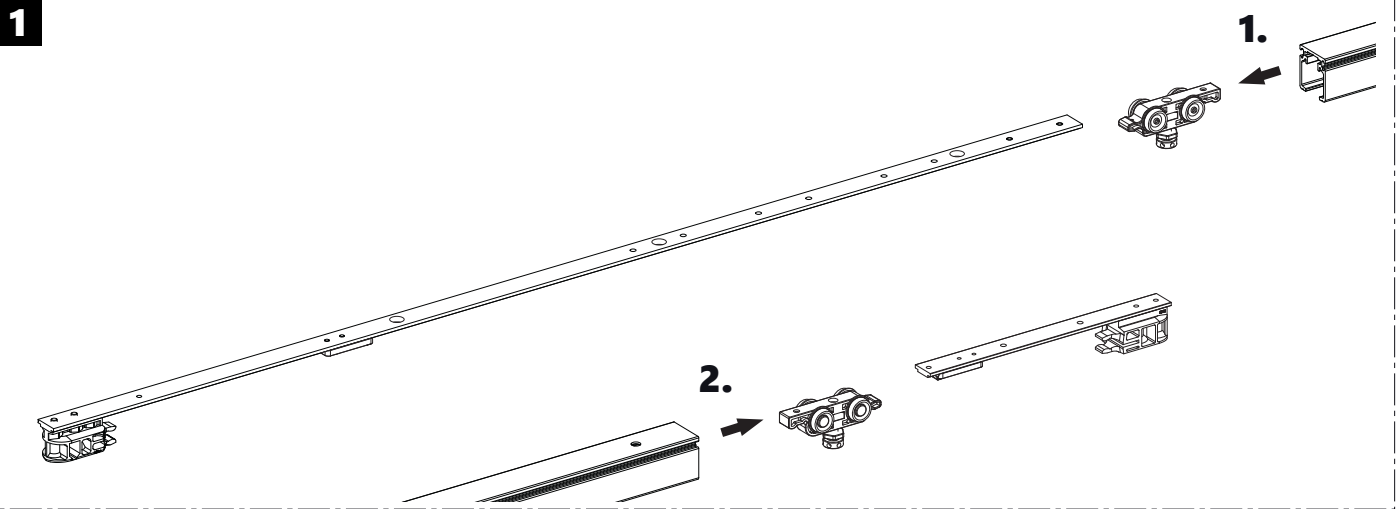
1x

e

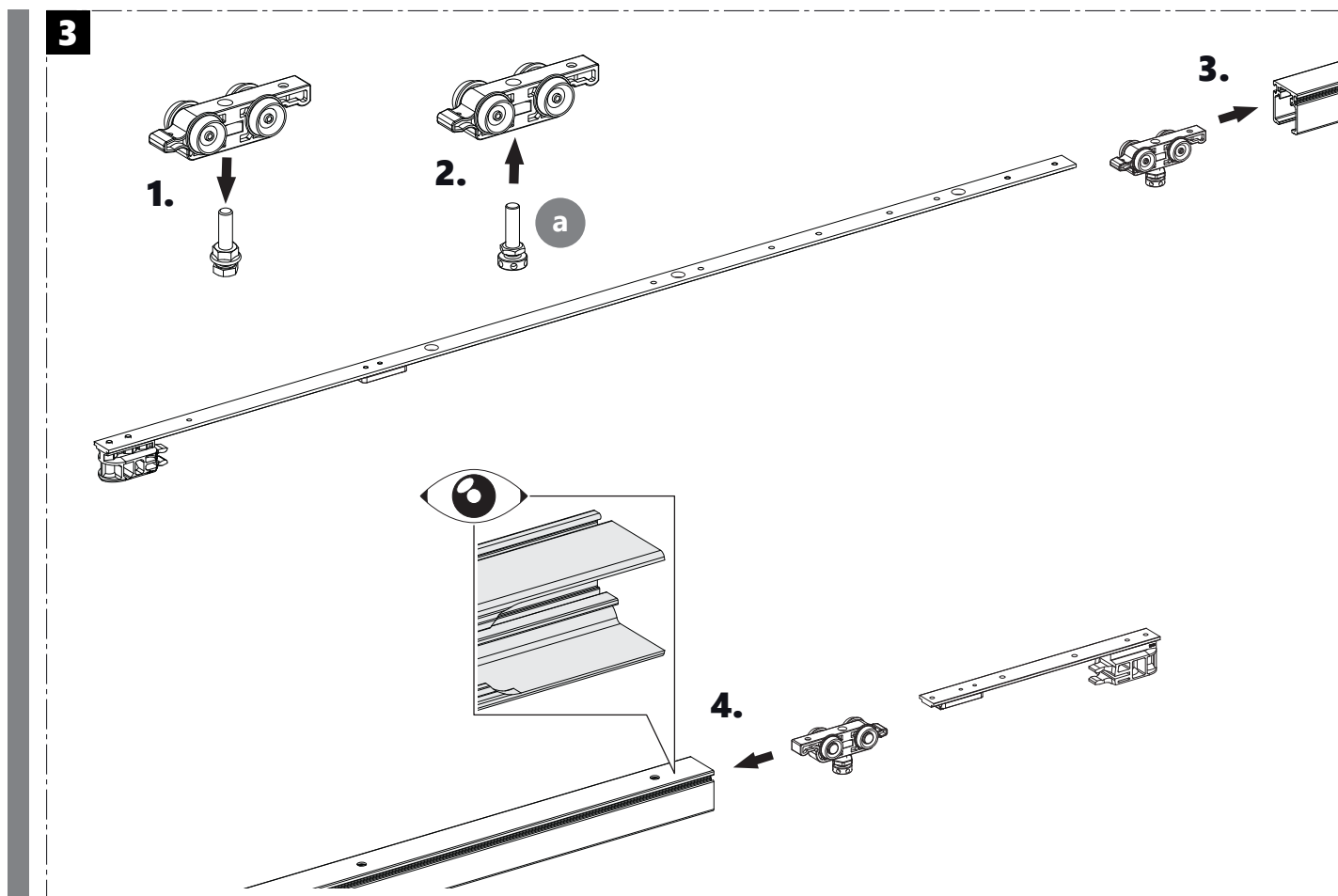


1x SW6/13

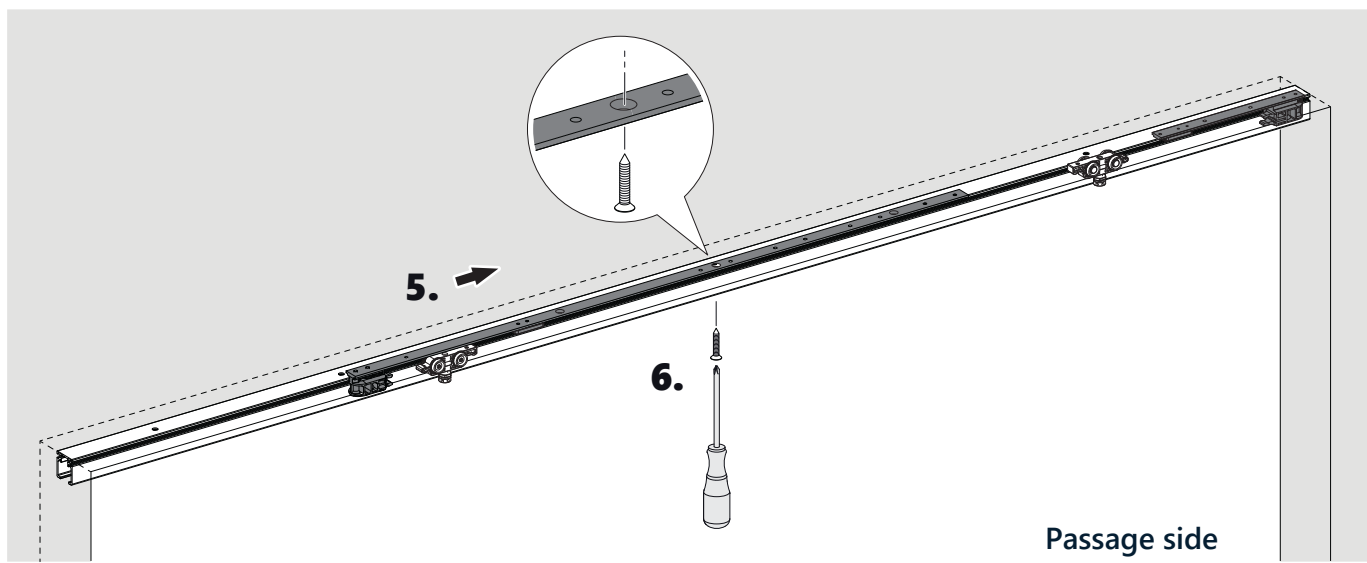
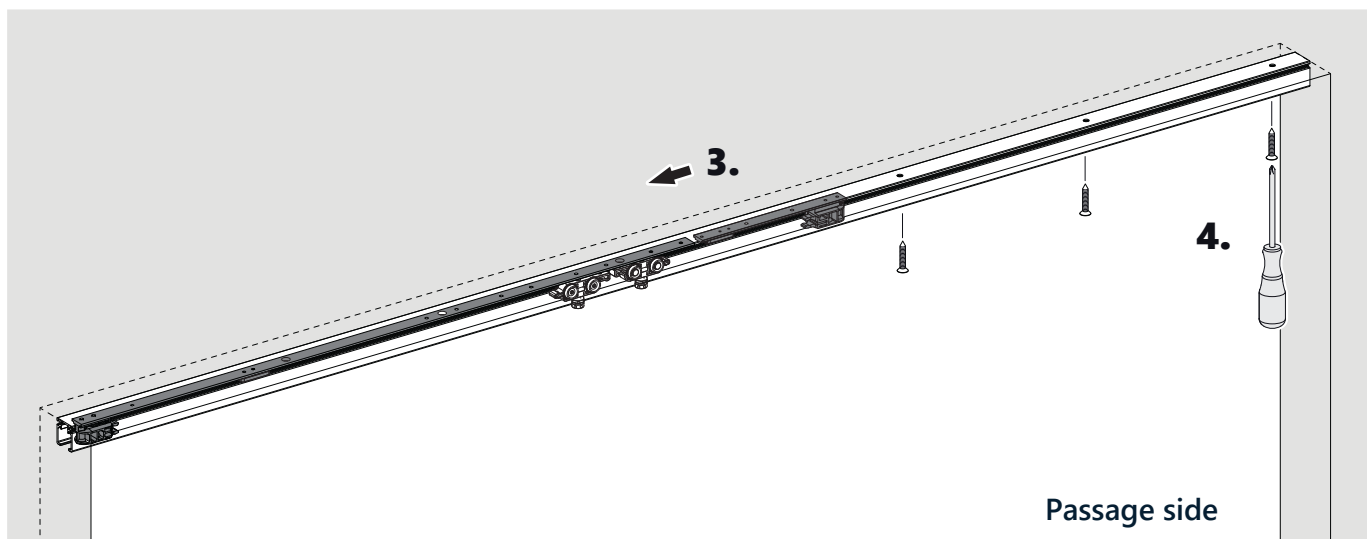
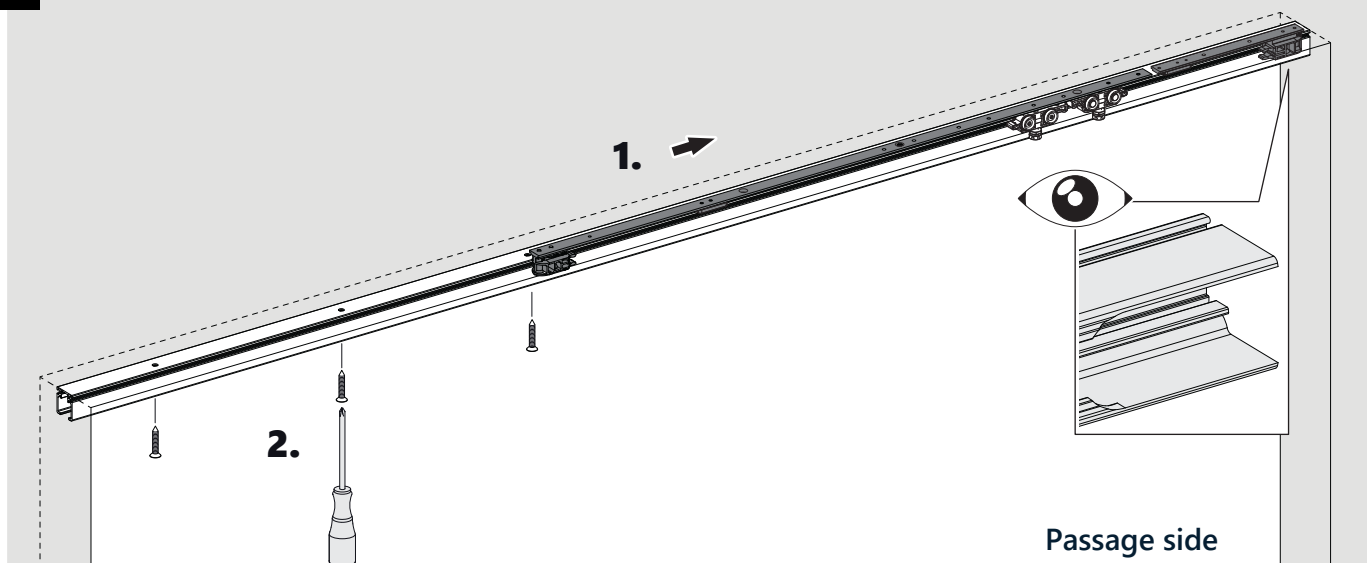




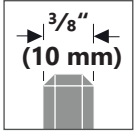
When using a softclose, synchro or push to open, consult the separately enclosed installation instructions.



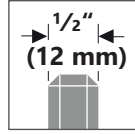
4



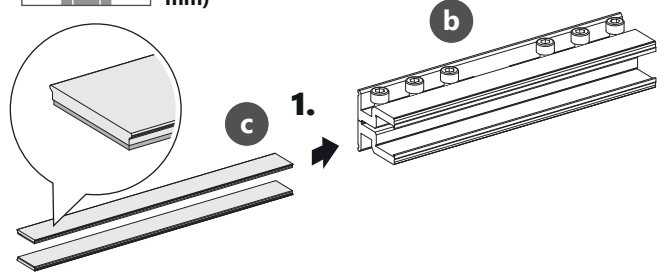
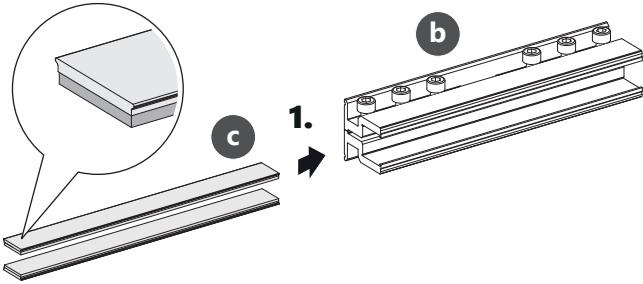
5



Suitable for:
 tempered glas
 and laminated safty glas
 (10 mm, 10,76 mm)



Suitable for:
 tempered glas
 and laminated safty glas
 (12 mm, 12,76 mm and 13,5 mm)



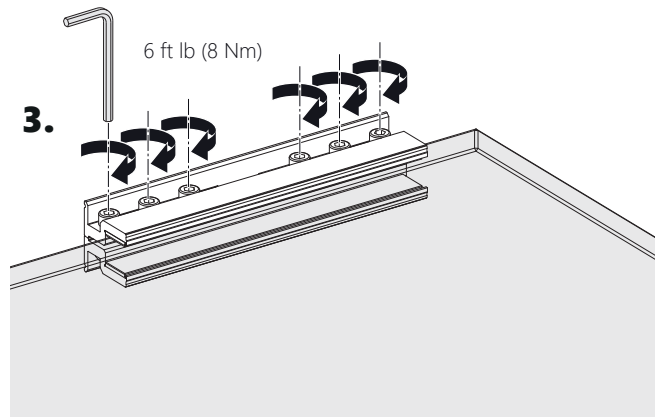
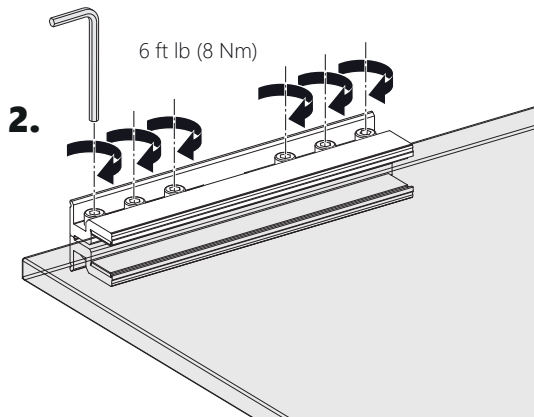
All components including the glass pane must be at room temperature!



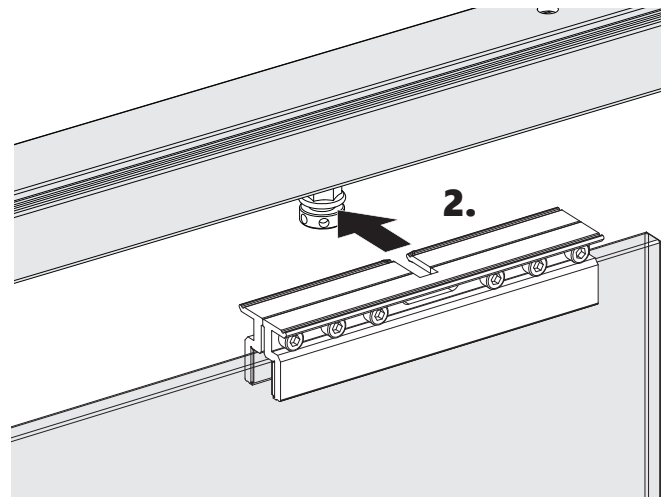
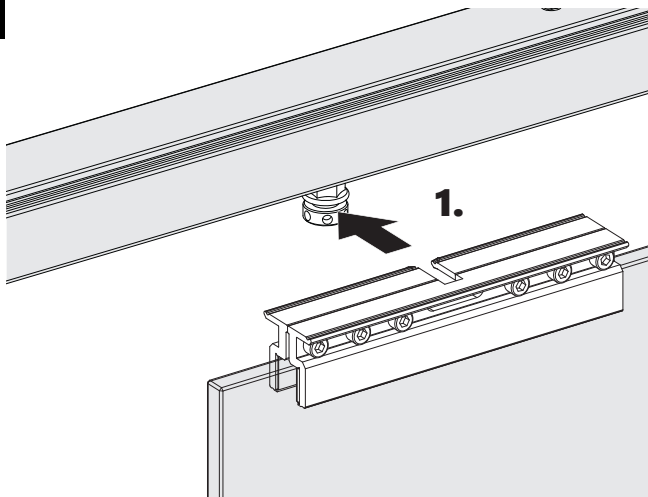
All surfaces must be free of dust and grease!



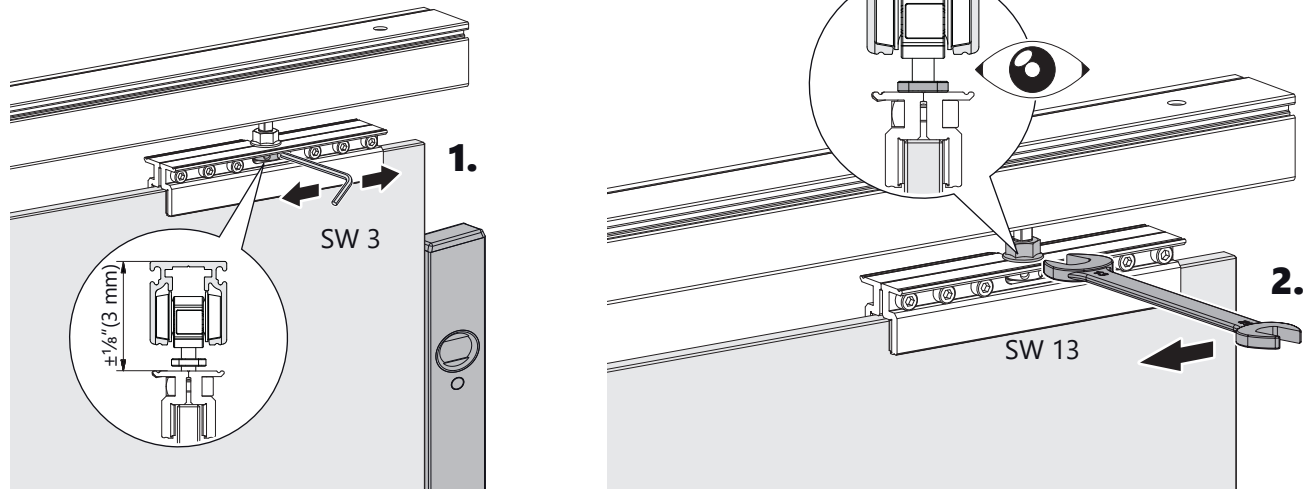
All surfaces must be dry!



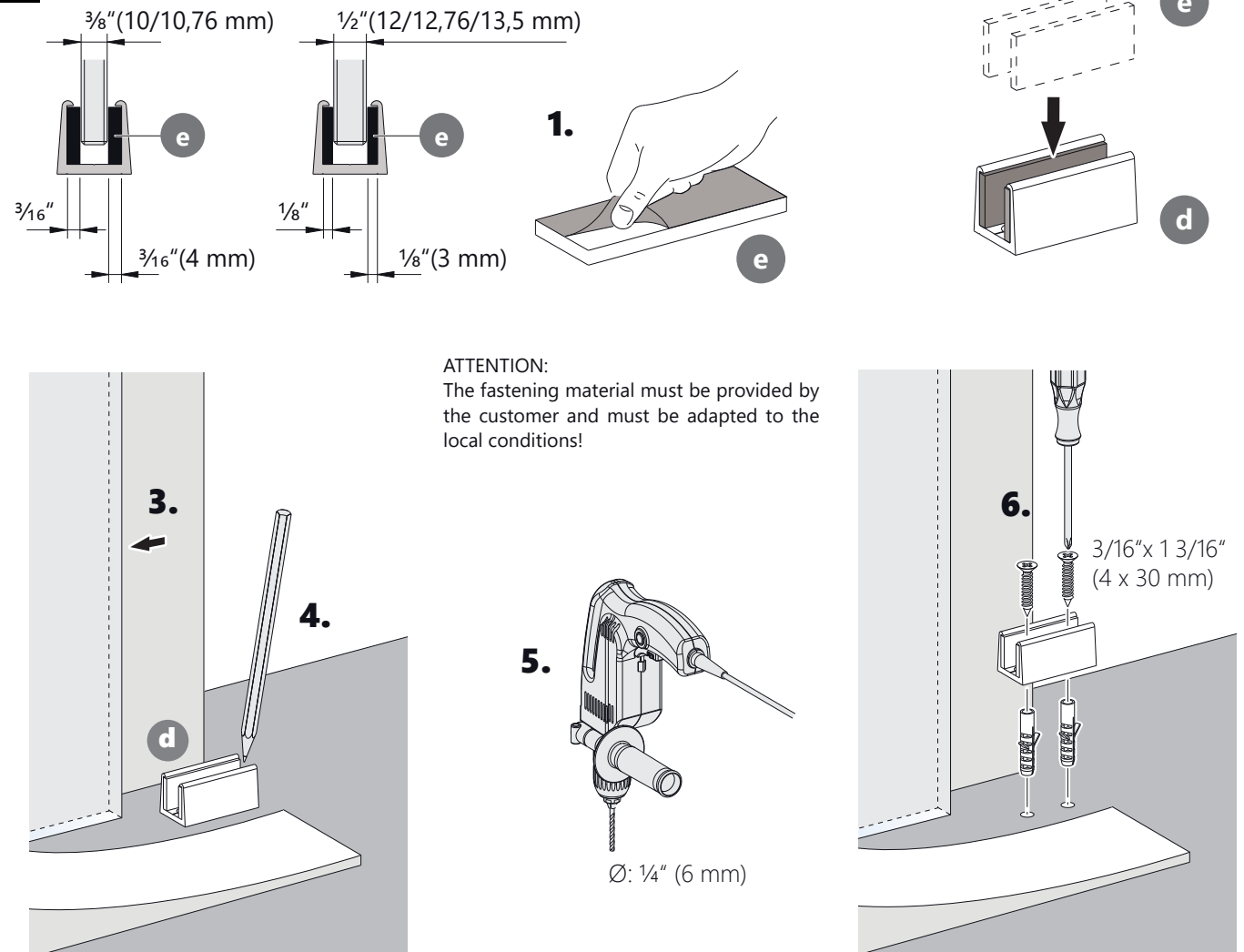
6

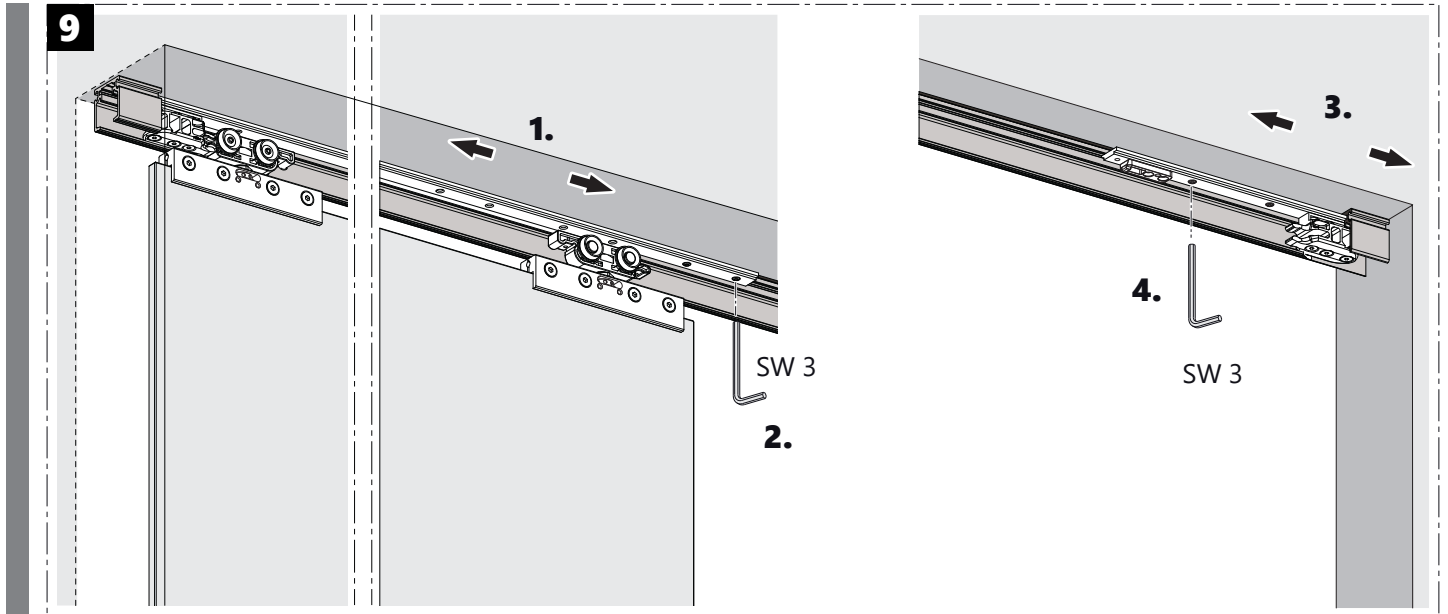


7



8





Replacement of parts through the inspection opening

