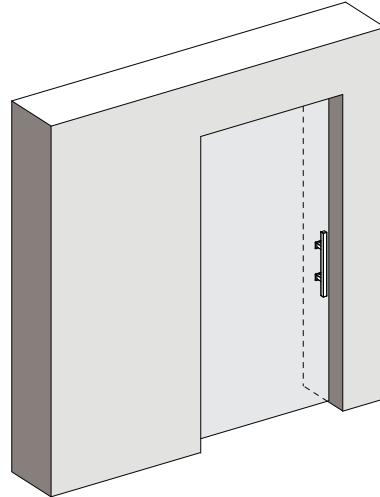
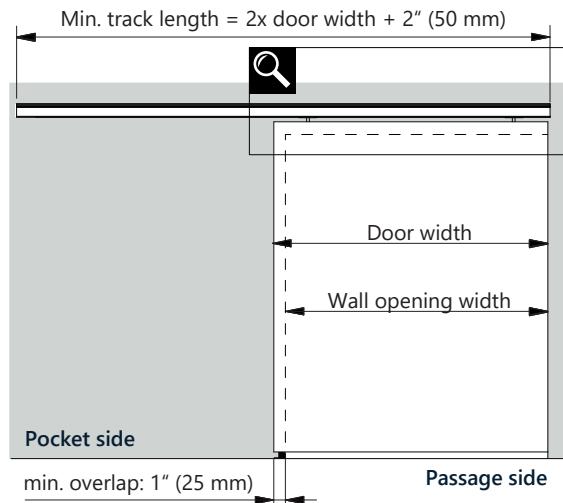
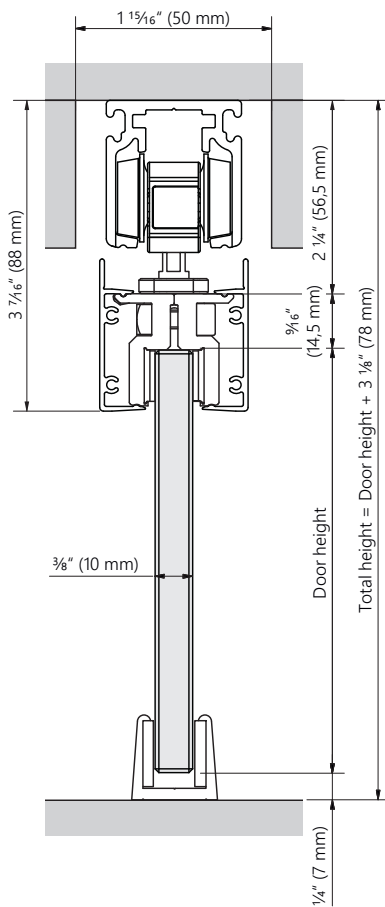


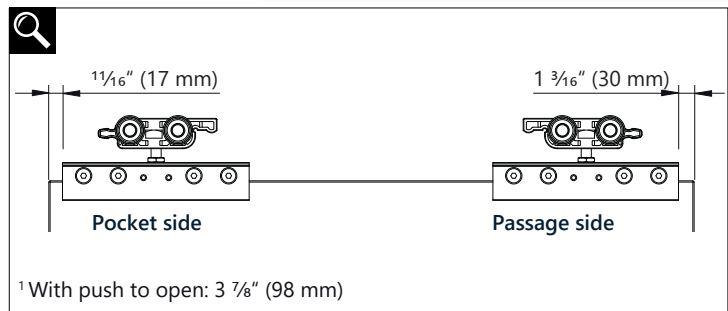
Glass clamps with valance
 for glass doors
 up to 265 lb (120 kg)



i



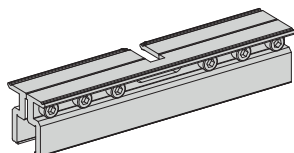
When installing a double door, please follow the instructions provided separately.



i Content

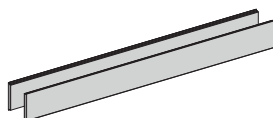
2x

a



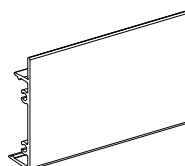
2x

b



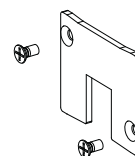
2x

c



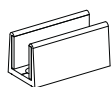
1x

d



1x

e



1x

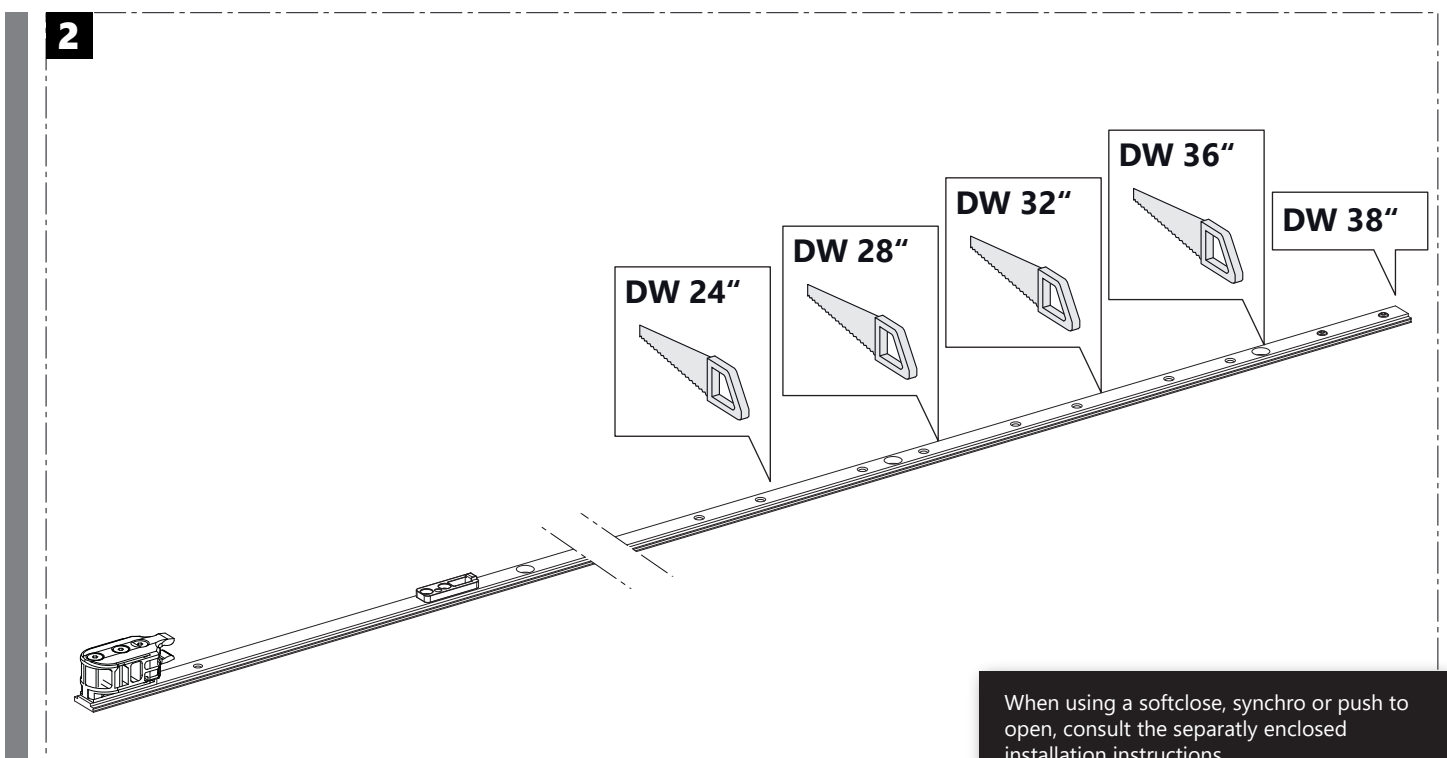
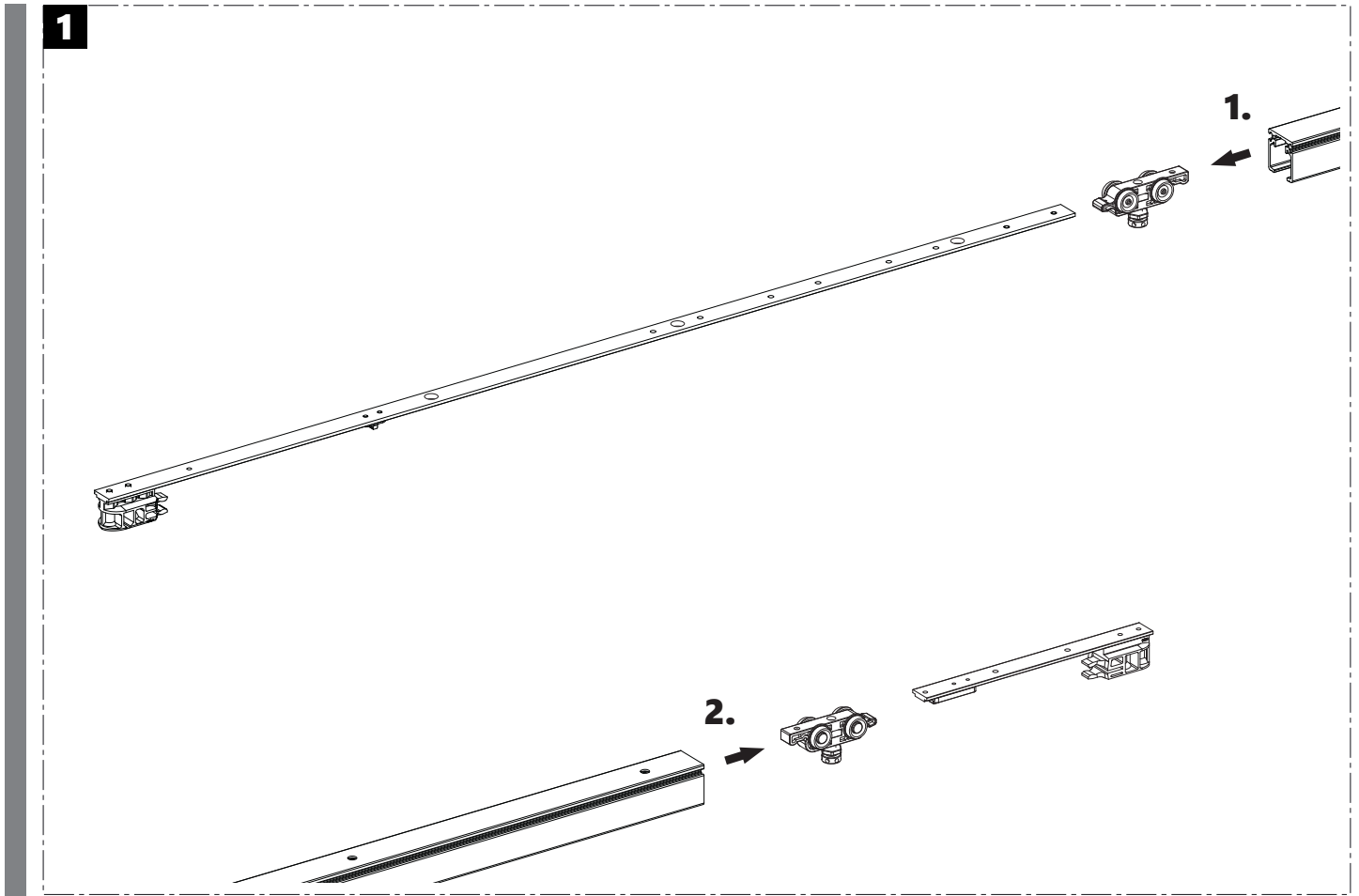
f

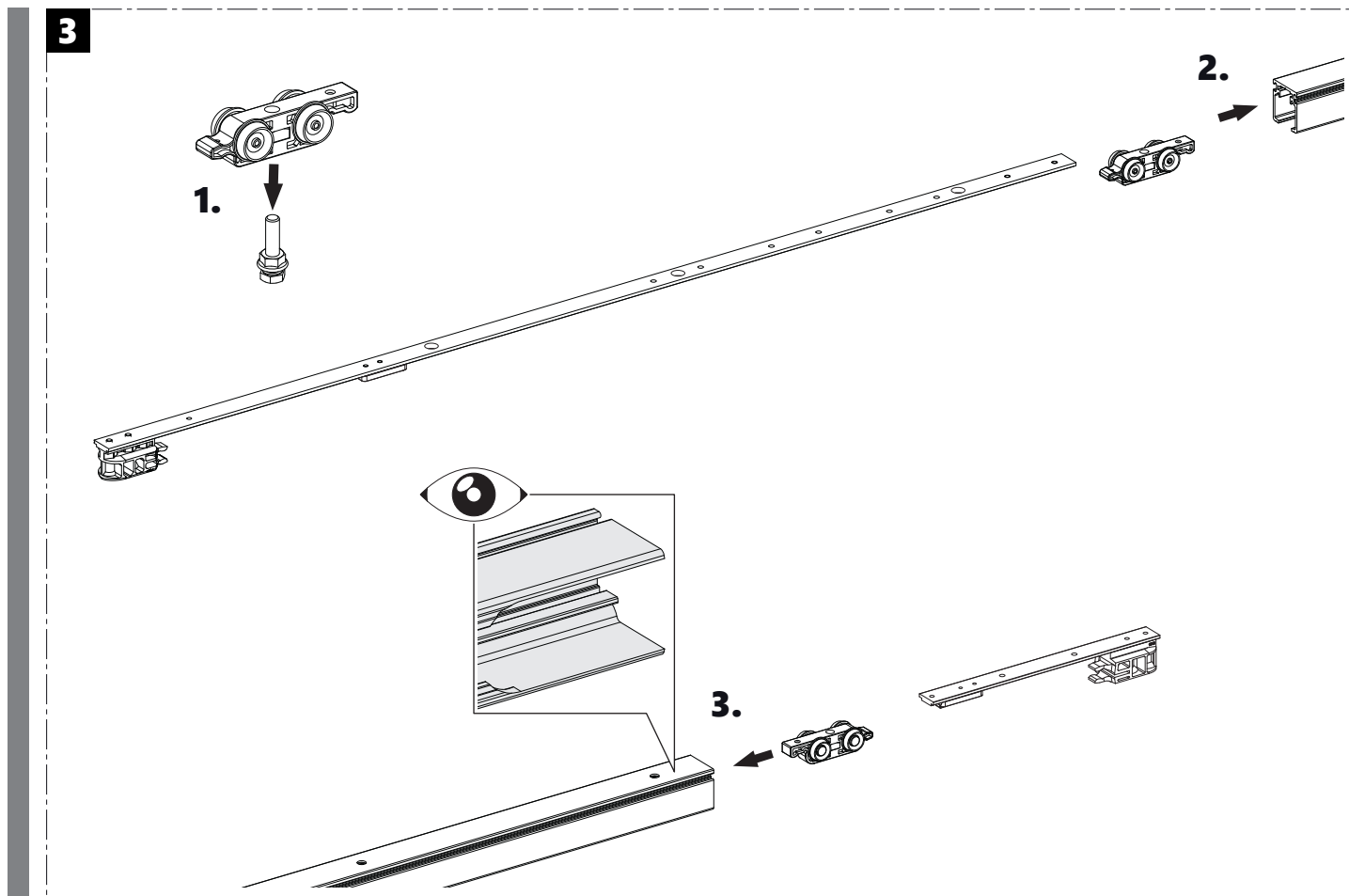


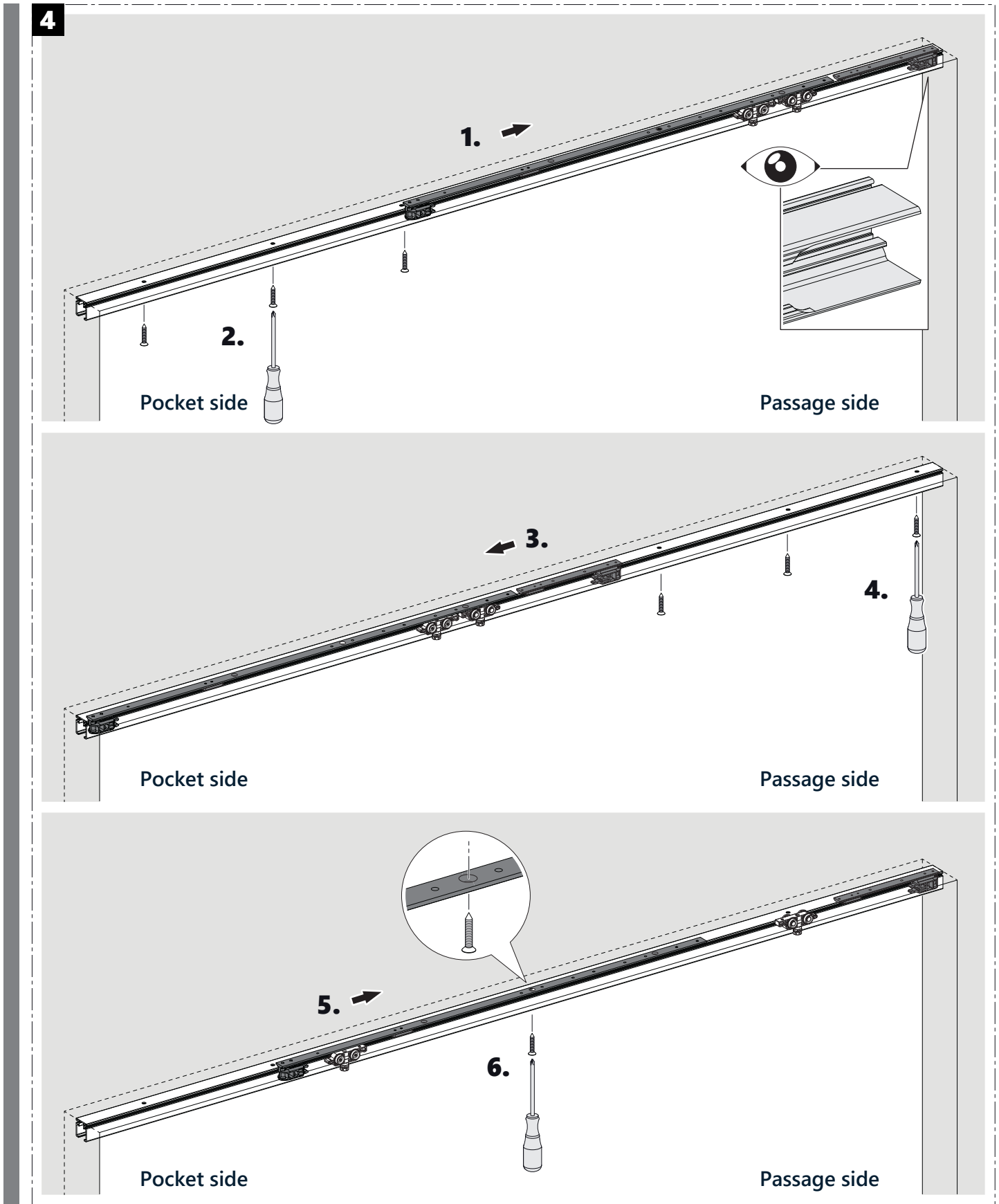
2x

g

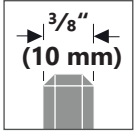




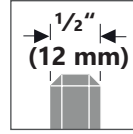




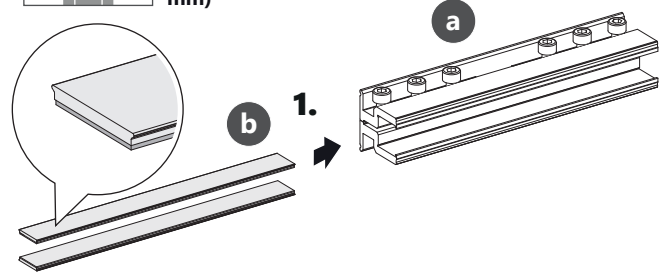
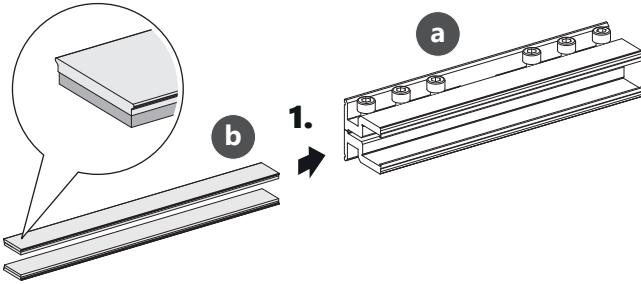
5



Suitable for:
 tempered glass
 and laminated safety glass
 (10 mm, 10,76 mm)



Suitable for:
 tempered glass
 and laminated safety glass
 (12 mm, 12,76 mm and 13,5 mm)



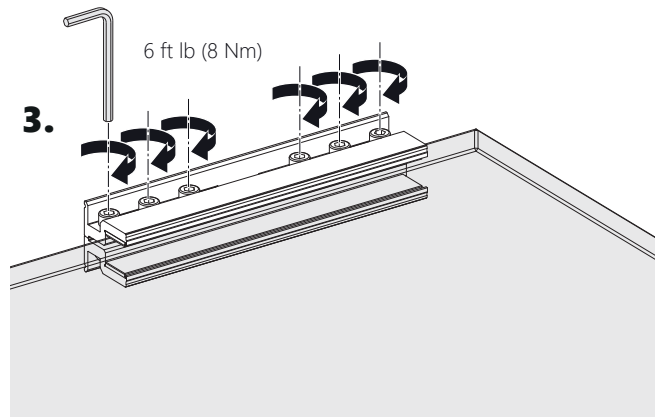
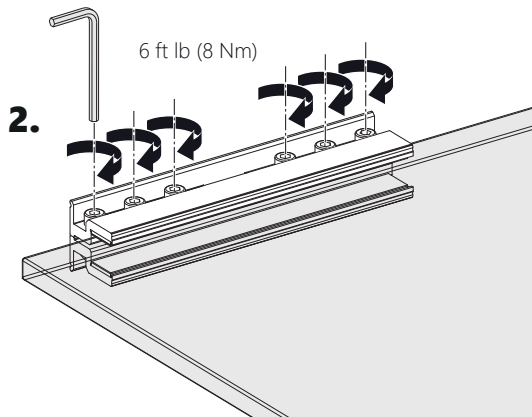
All components including the glass pane must be at room temperature!



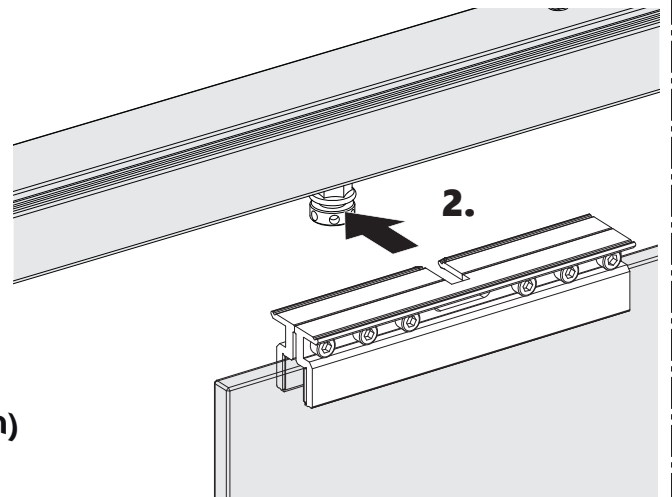
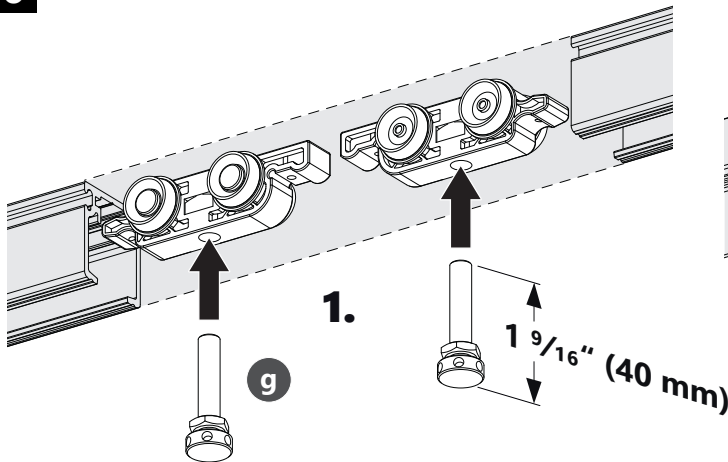
All surfaces must be free of dust and grease!



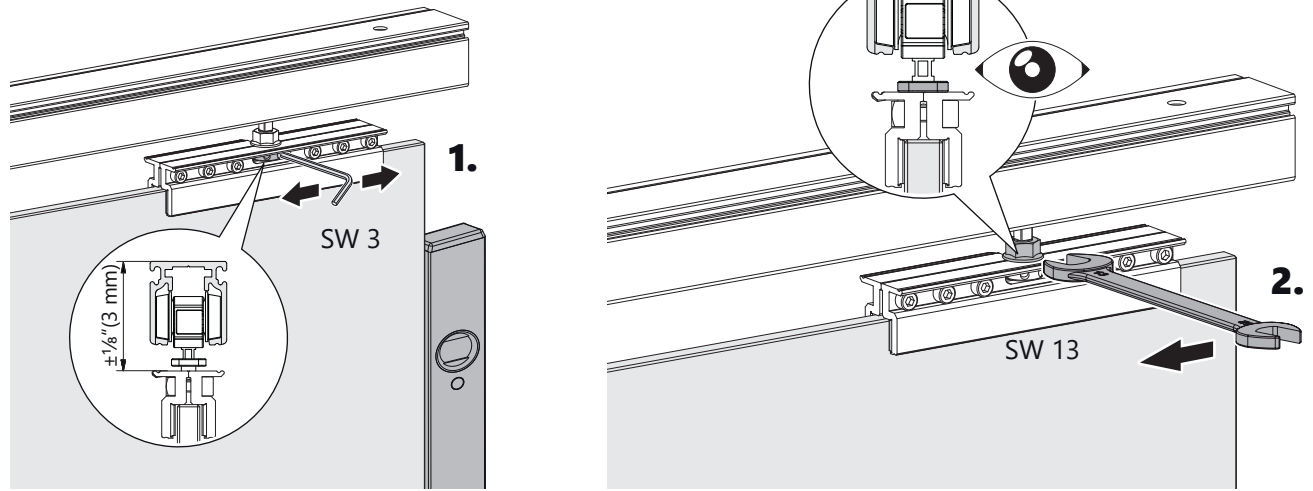
All surfaces must be dry!



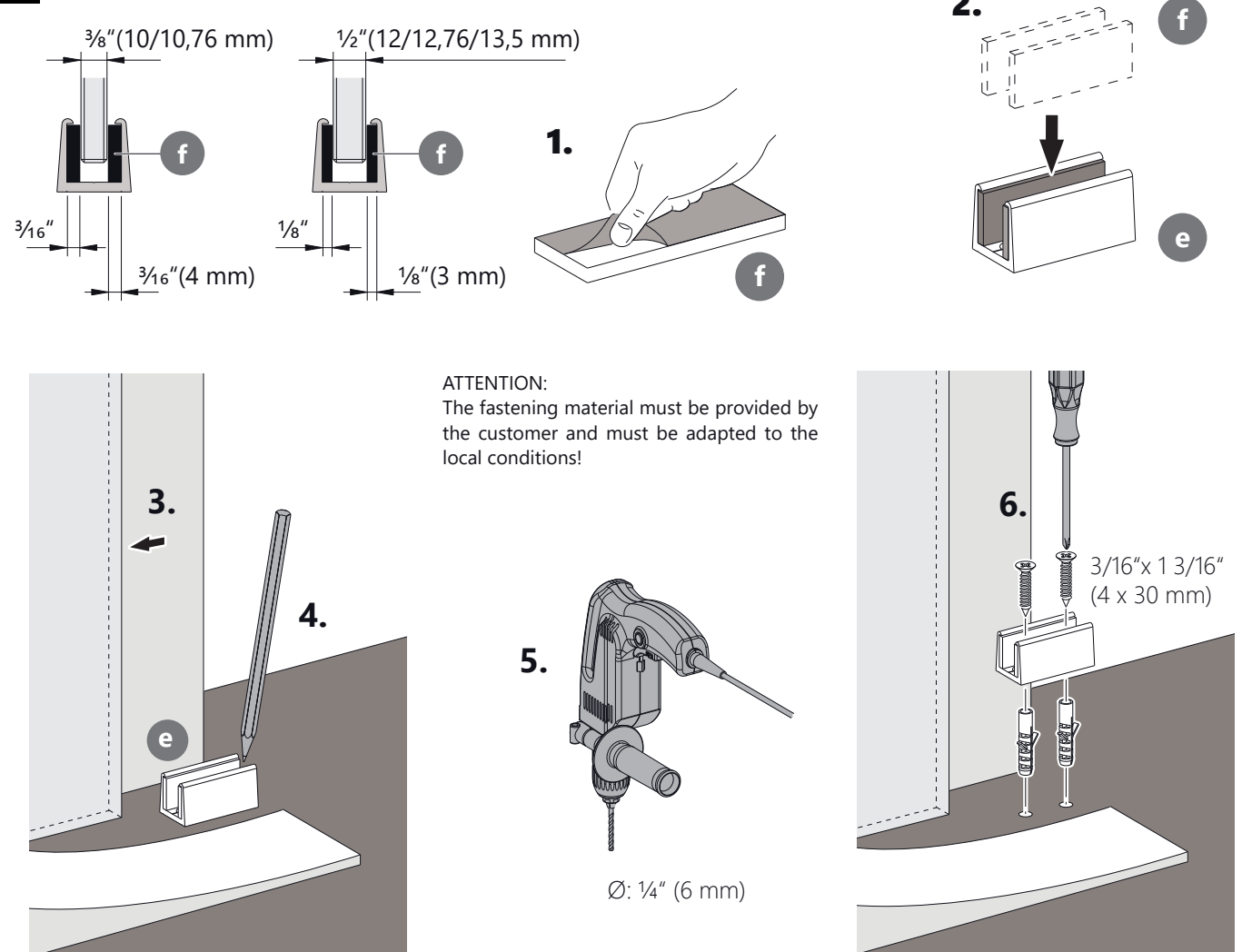
6

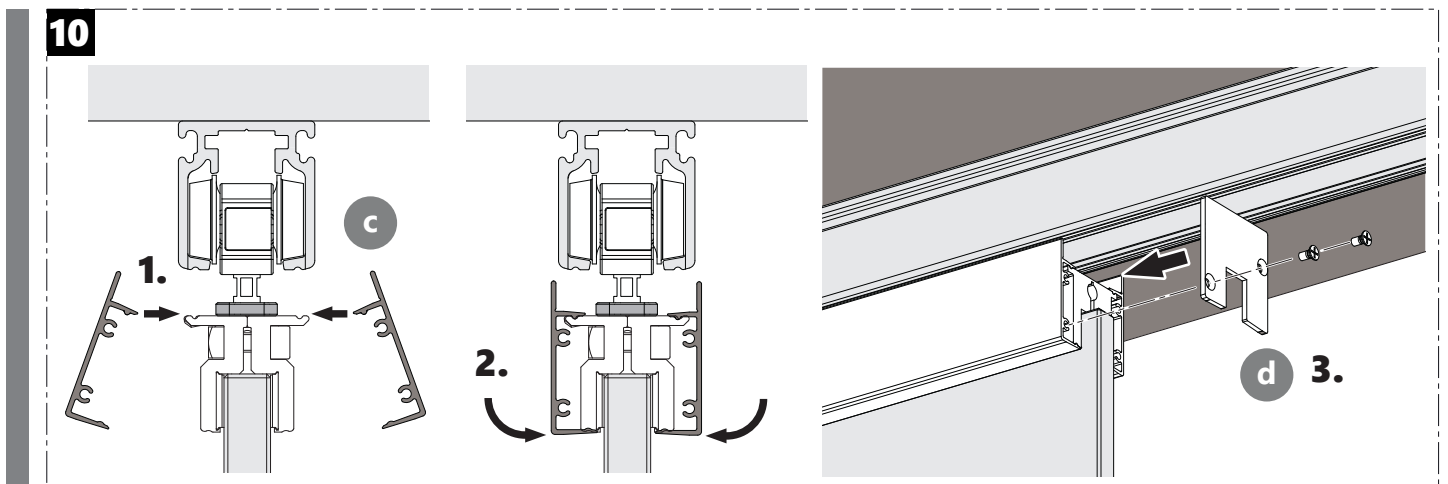
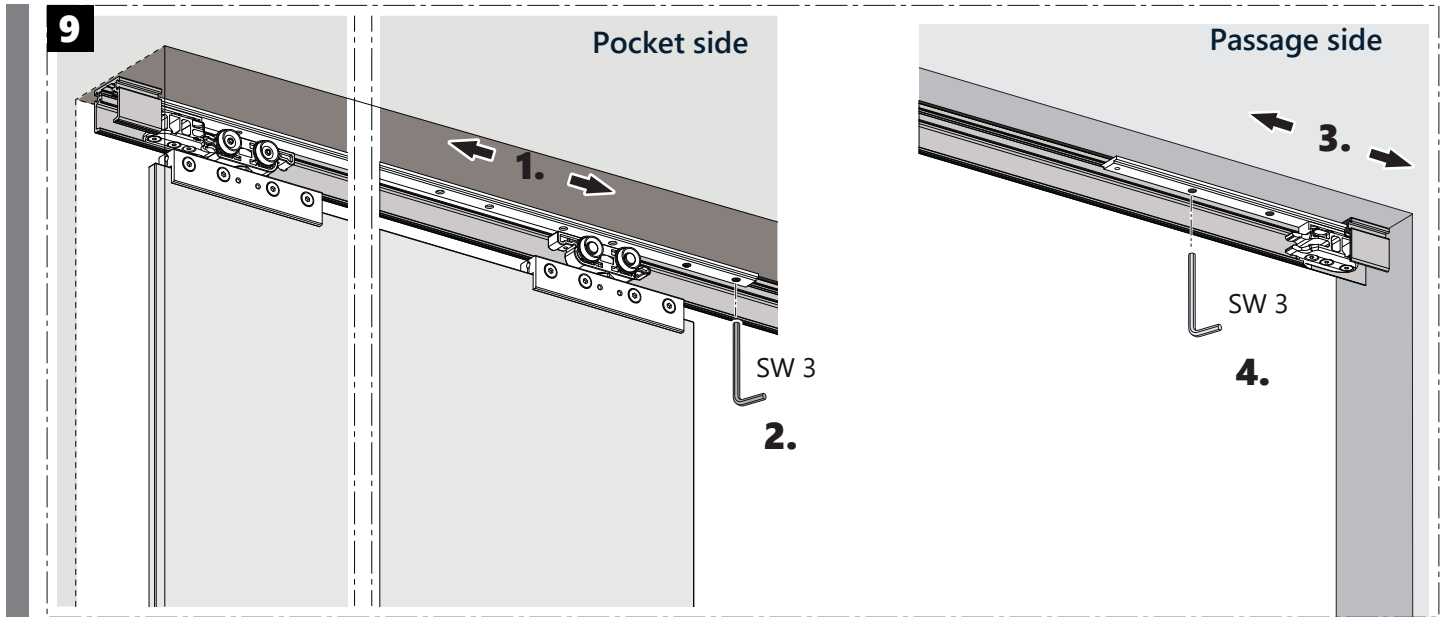


7

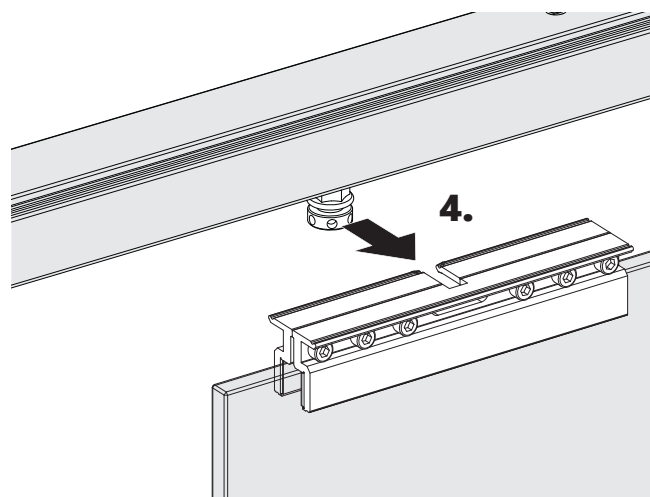
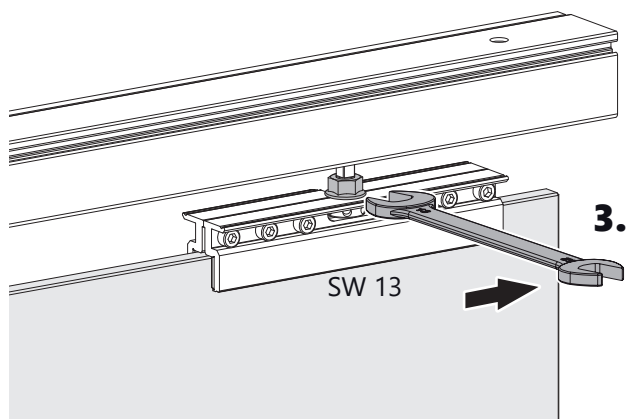
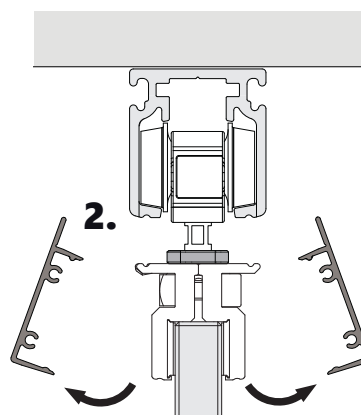
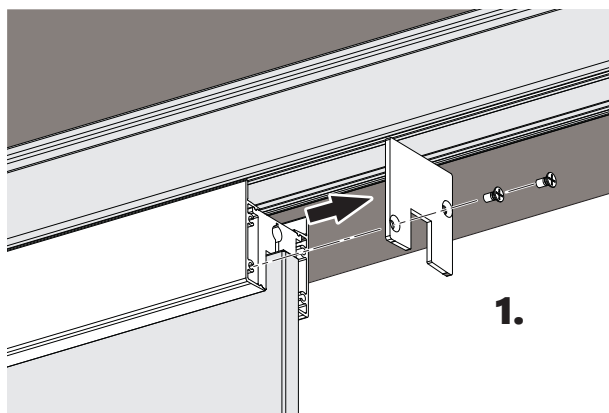


8





Disassembly



Replacement of parts through the inspection opening

