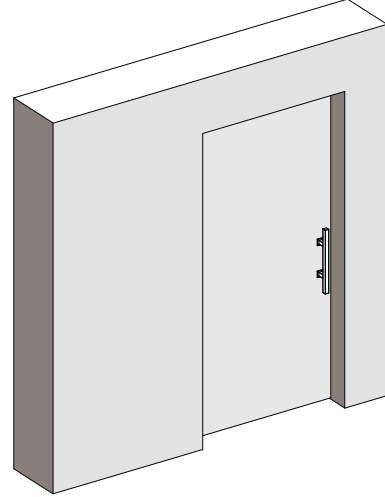
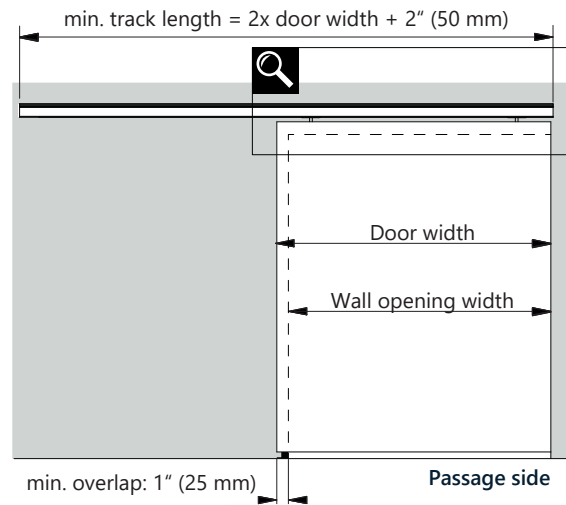
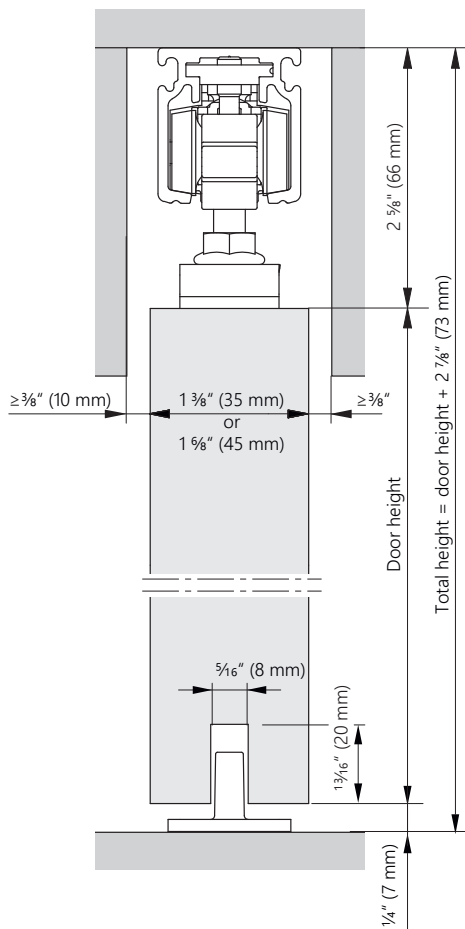


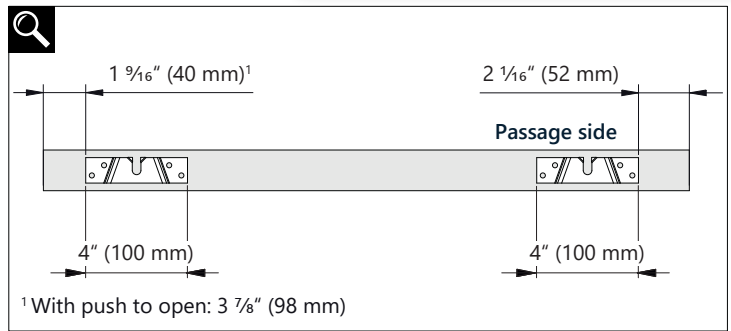
Sliding door hardware
 for wood doors
 up to 176 lb (80 kg)



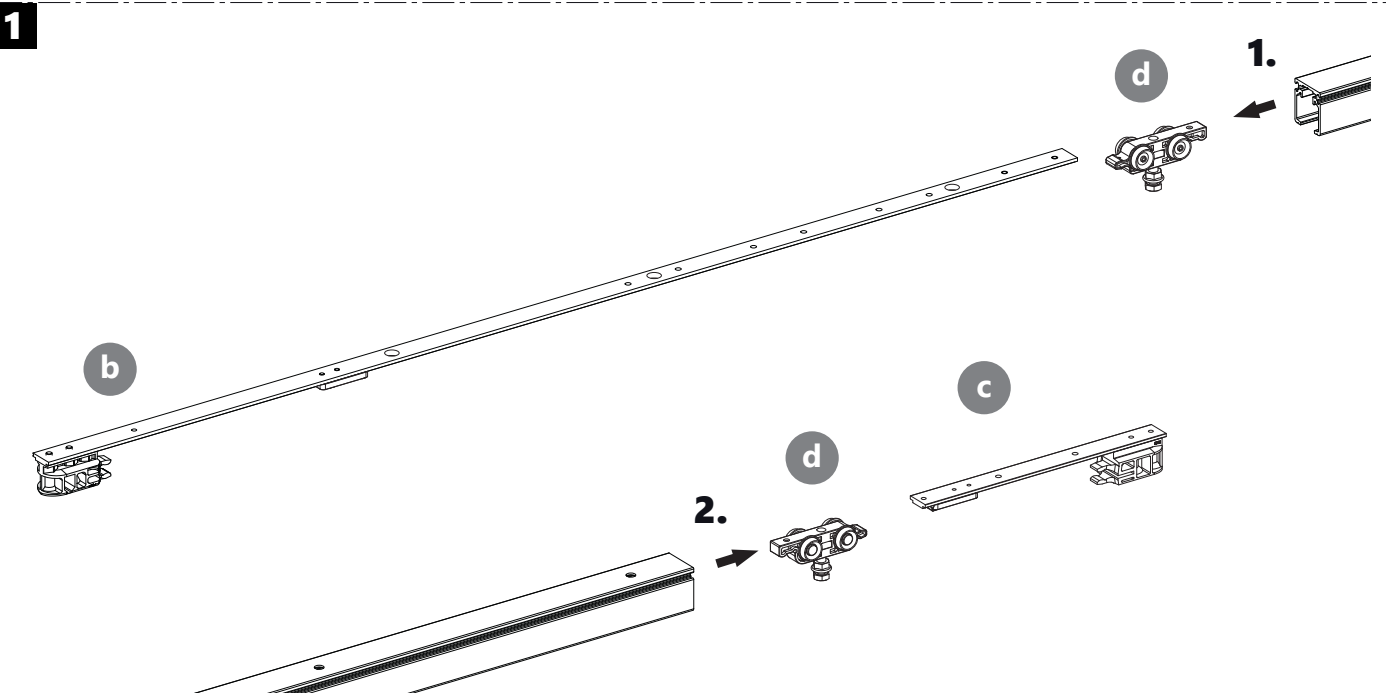
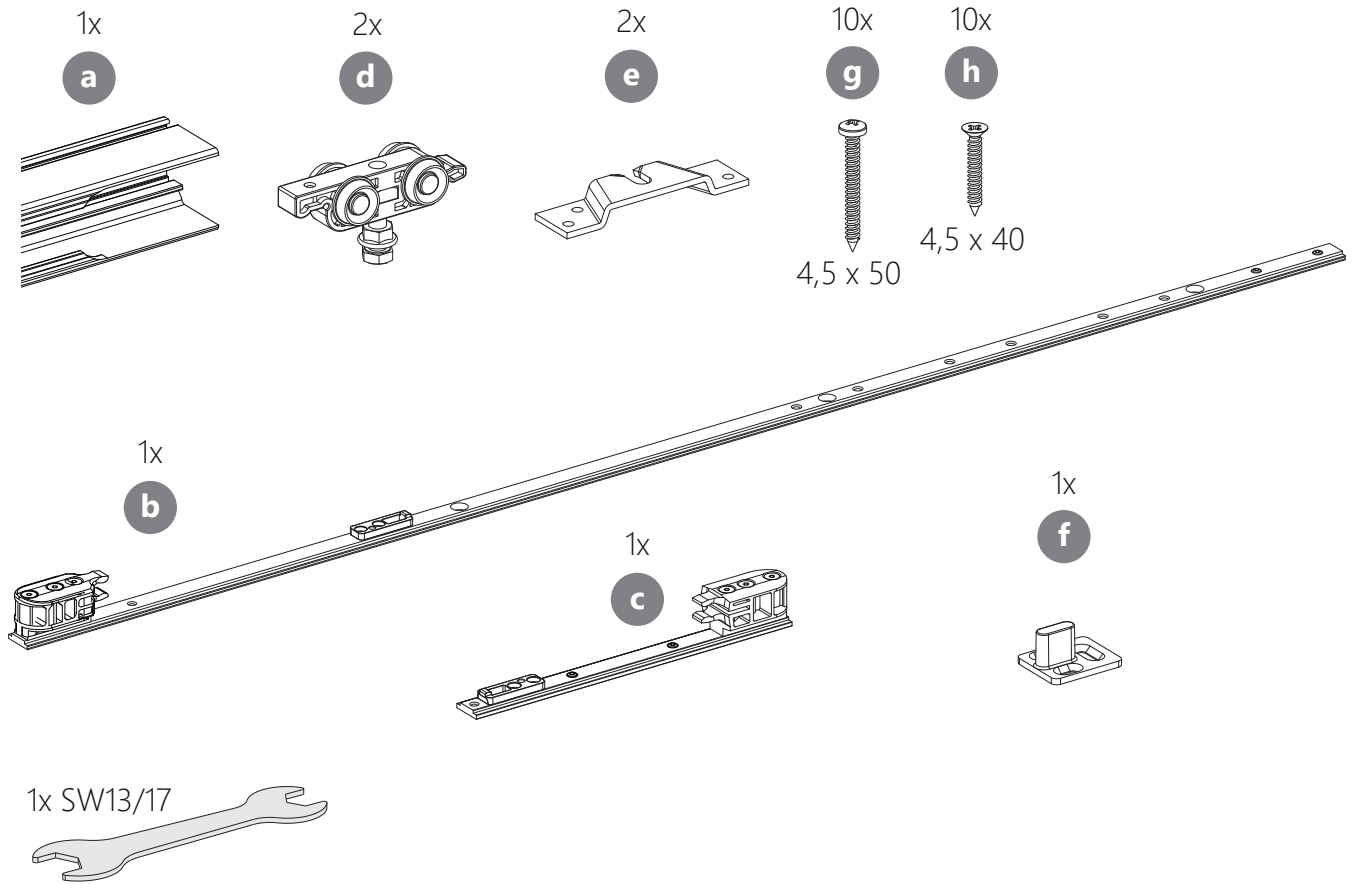
i



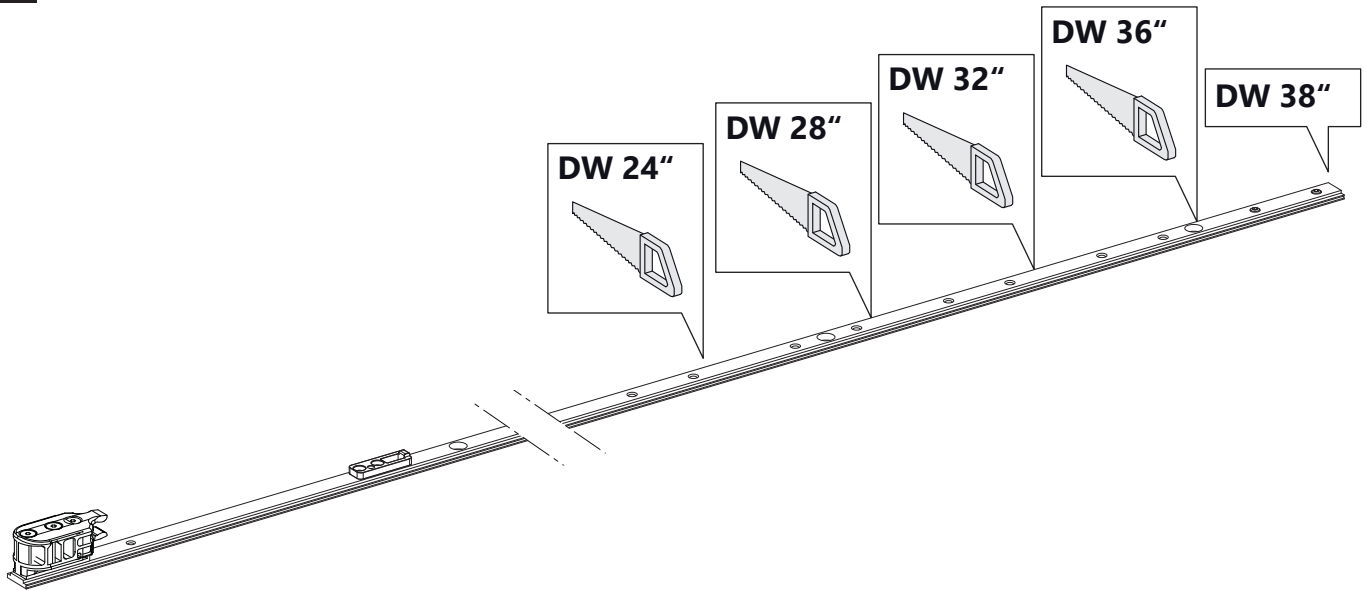
When installing a glass door, double door or the recessed wood door mount, please follow the instructions provided separately.



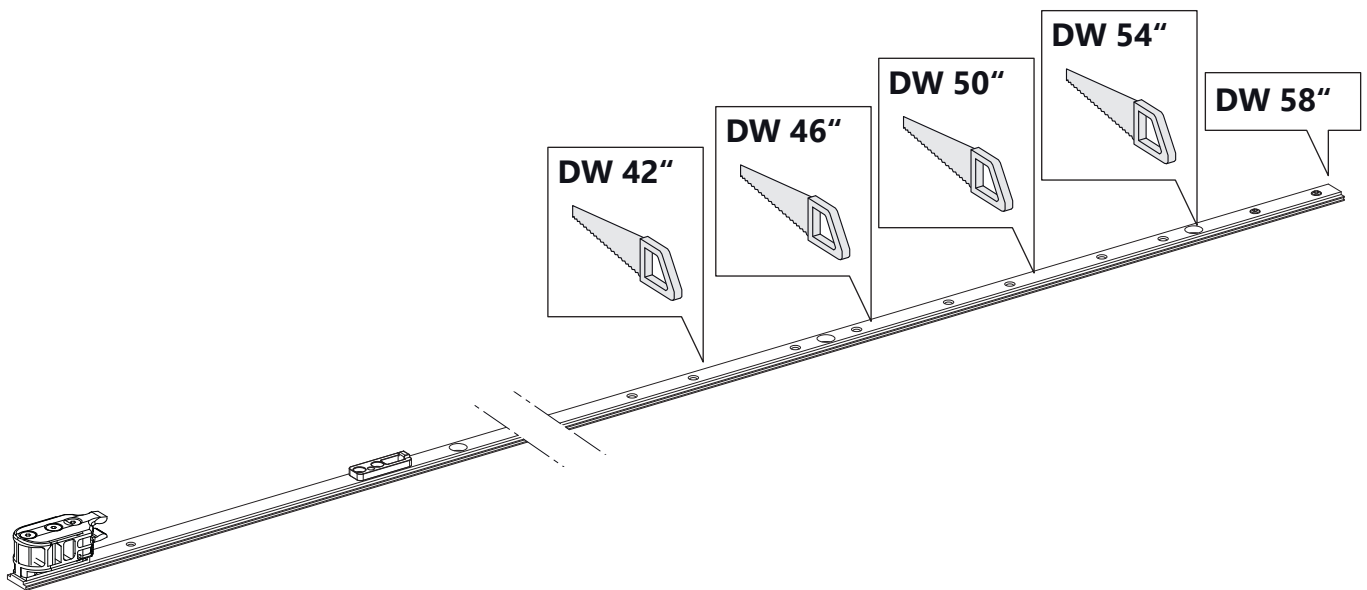
i Content



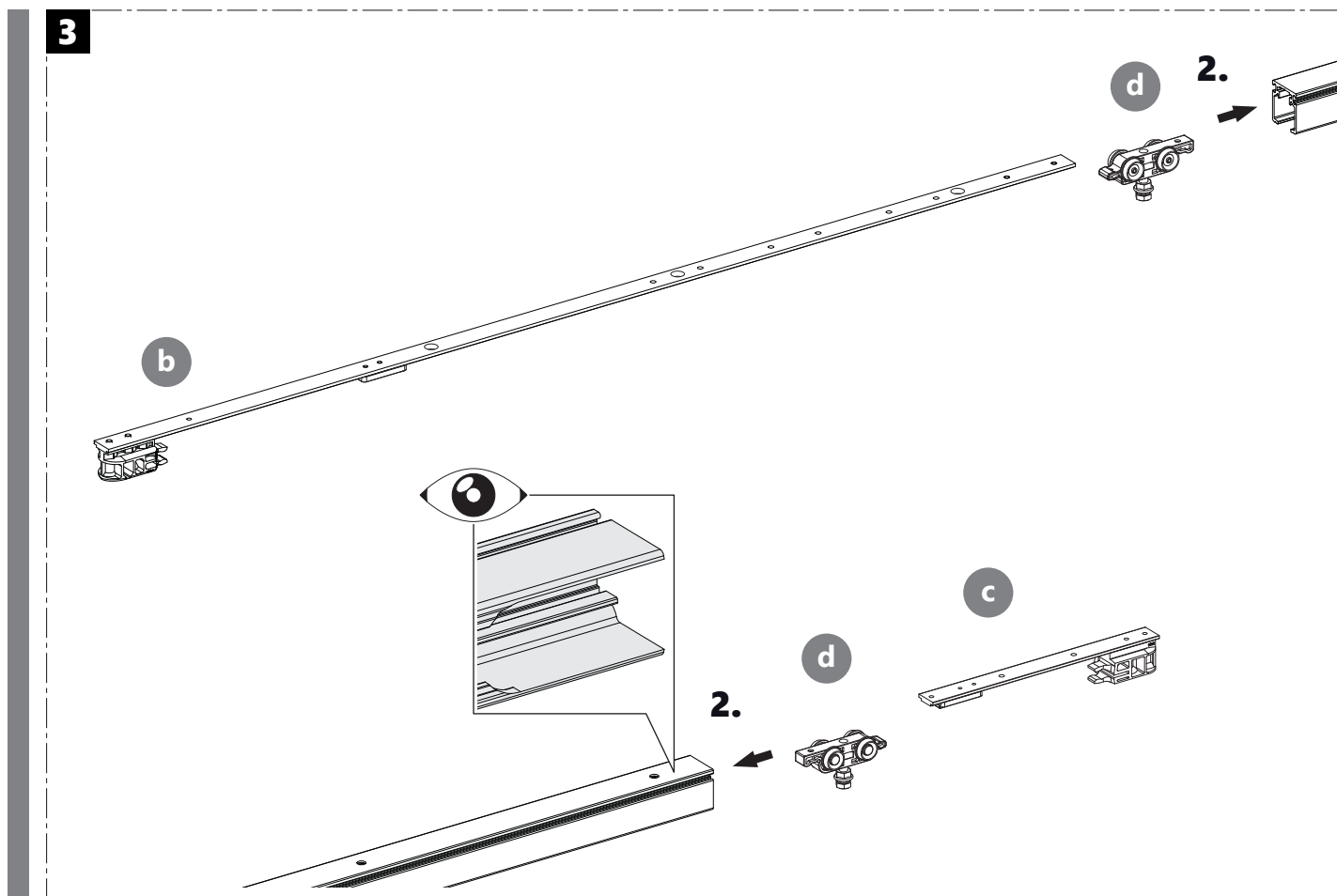
2 Version 1



Version 2

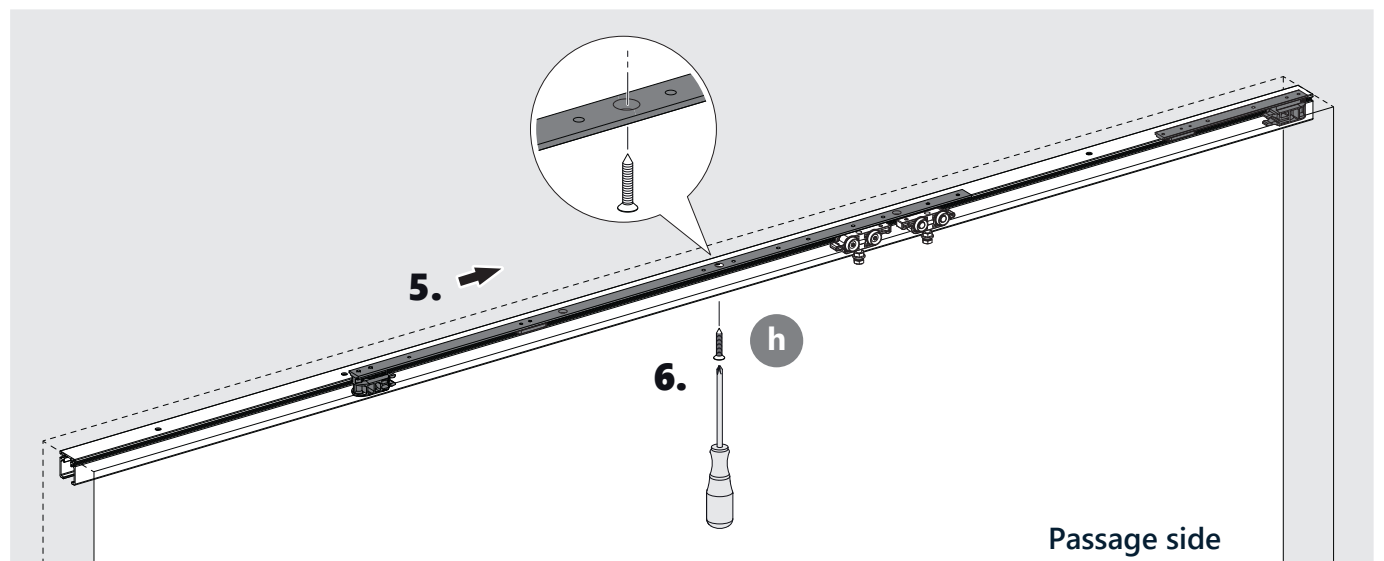
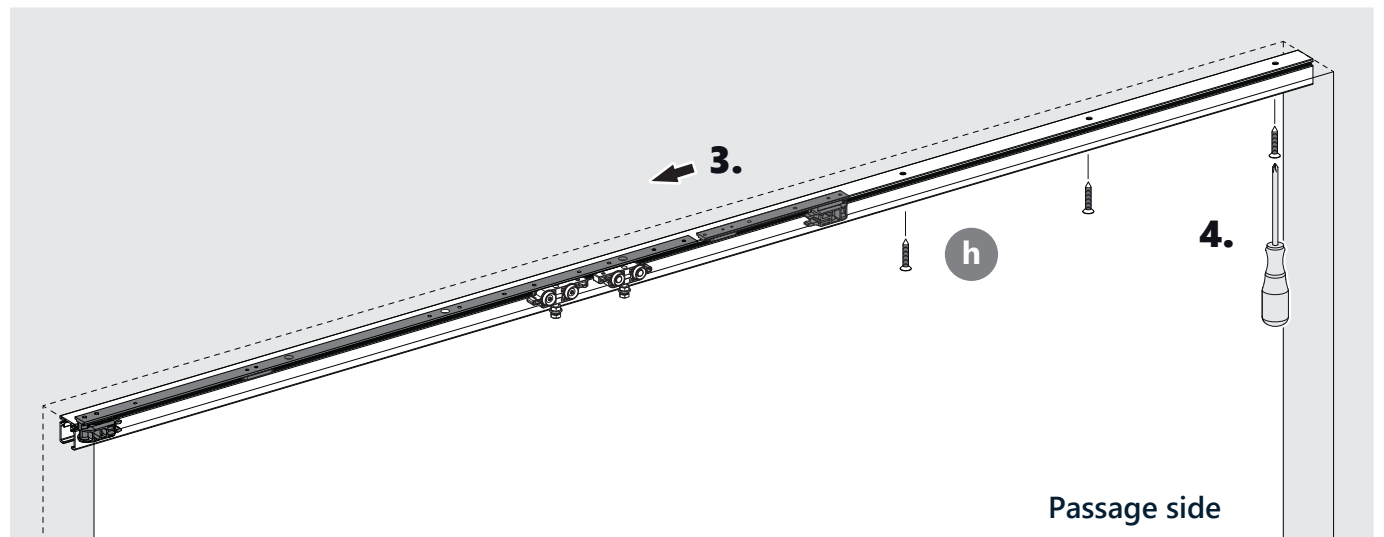
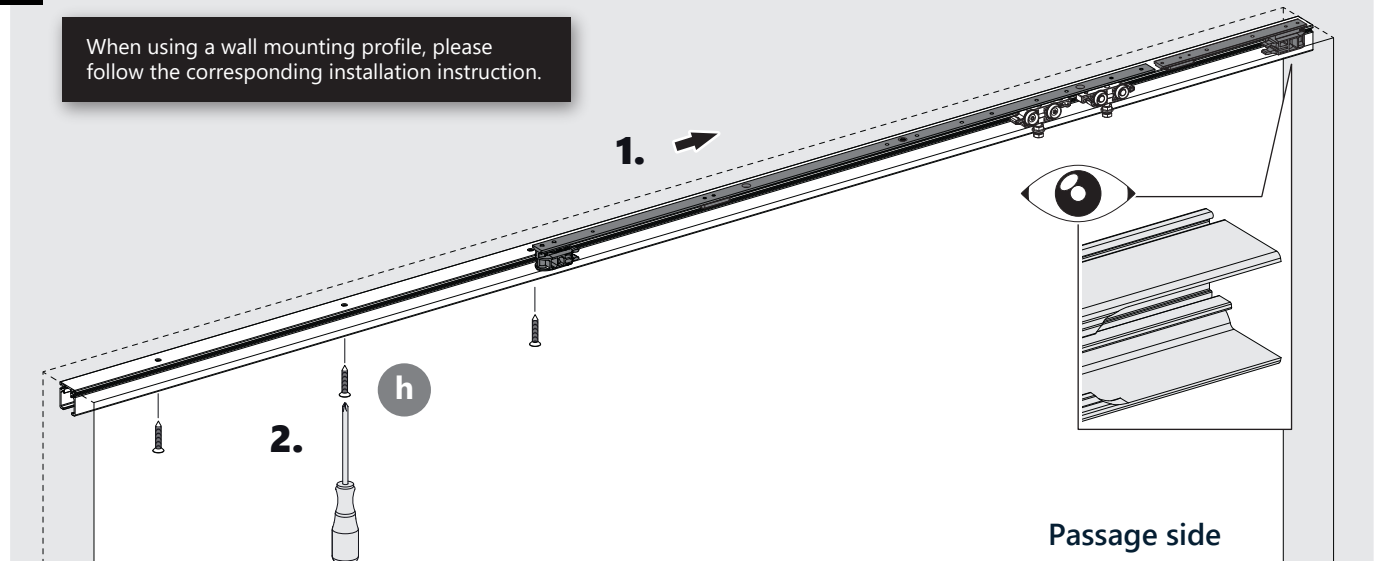


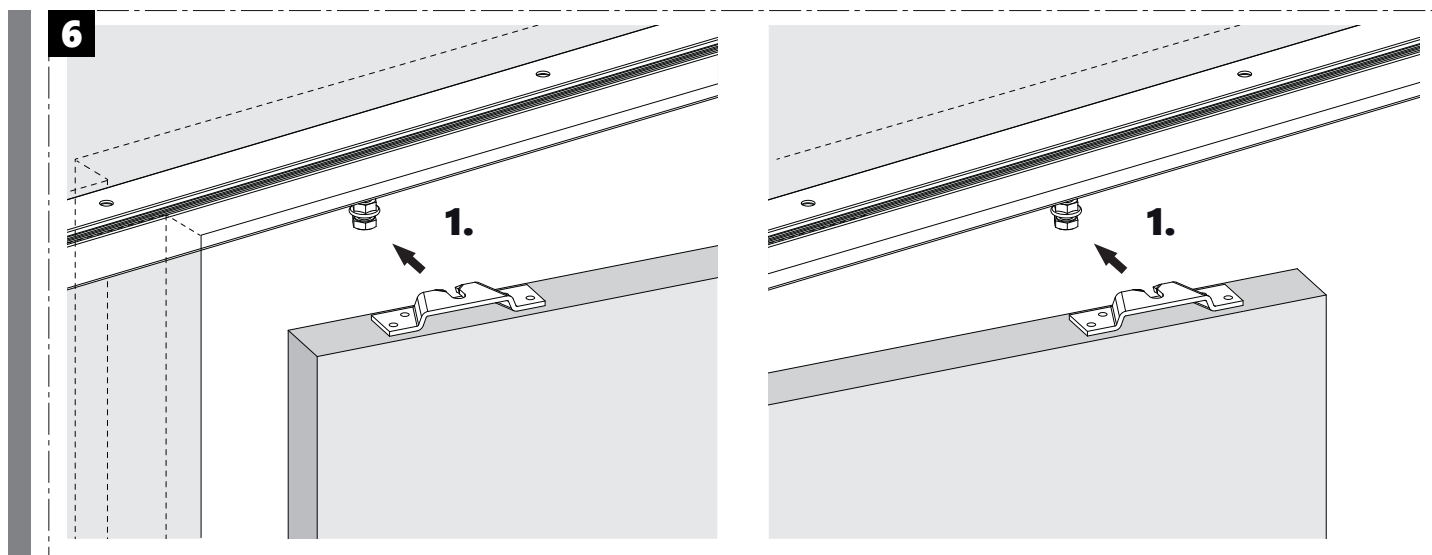
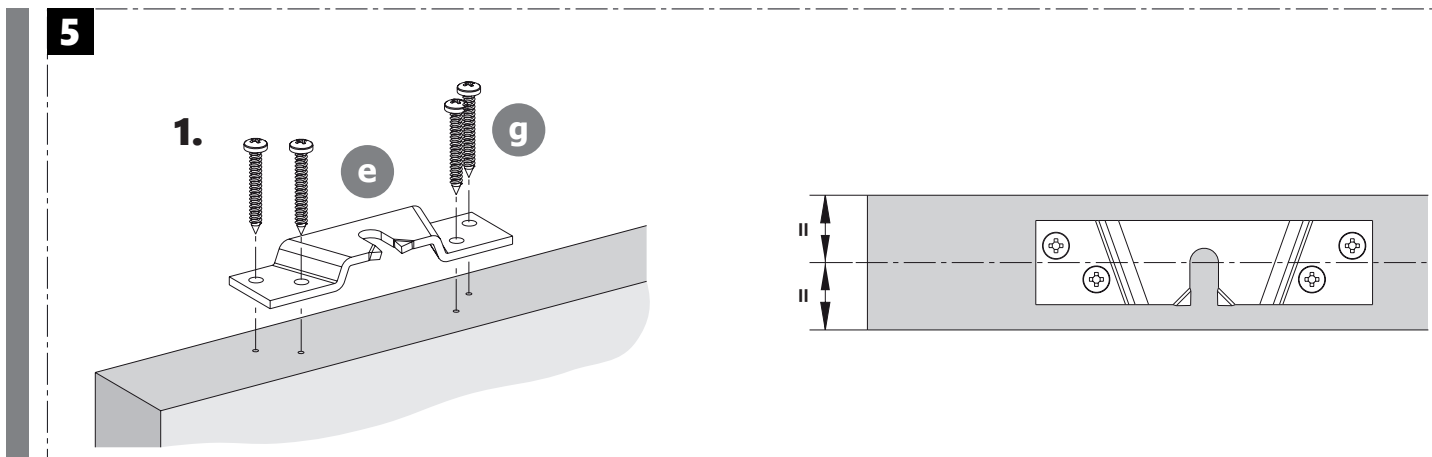
When using a softclose, synchro or push to open, consult the separately enclosed installation instructions.

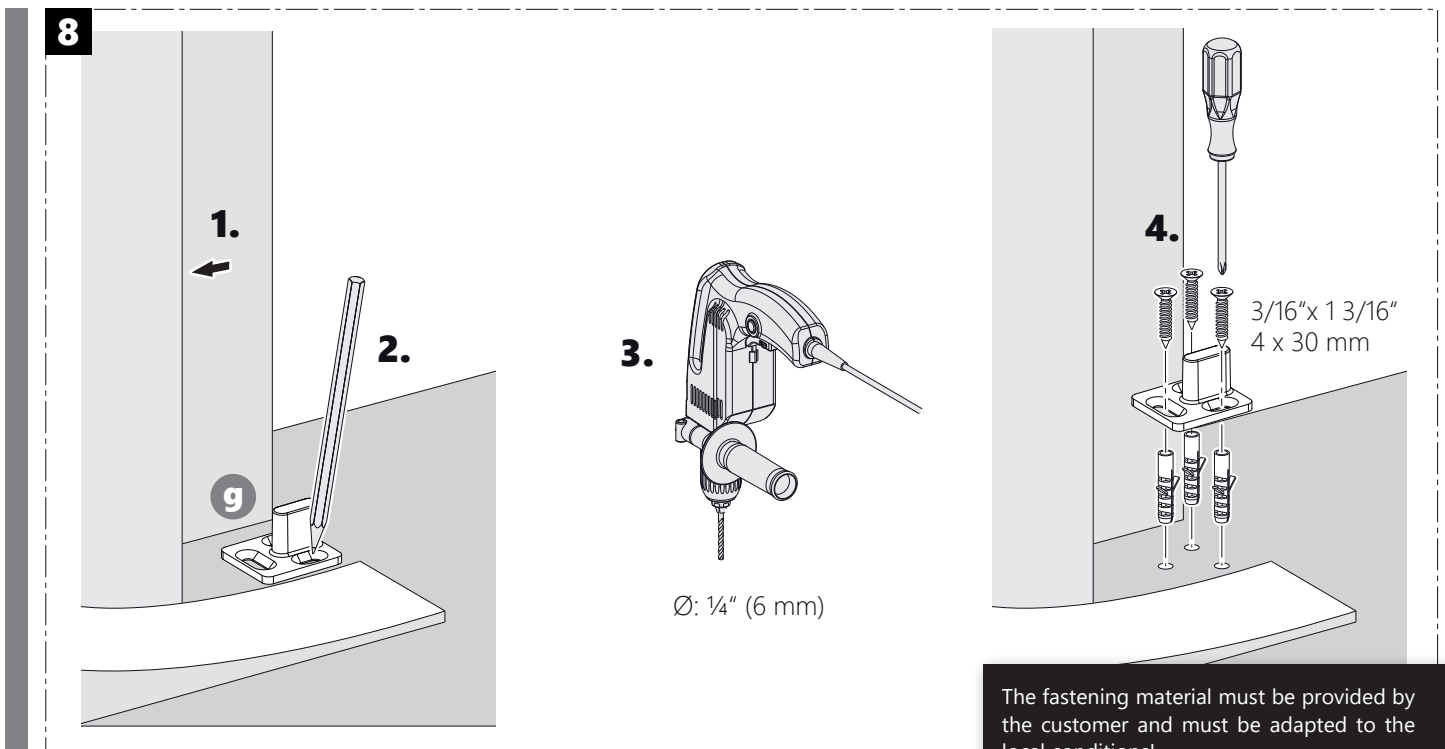
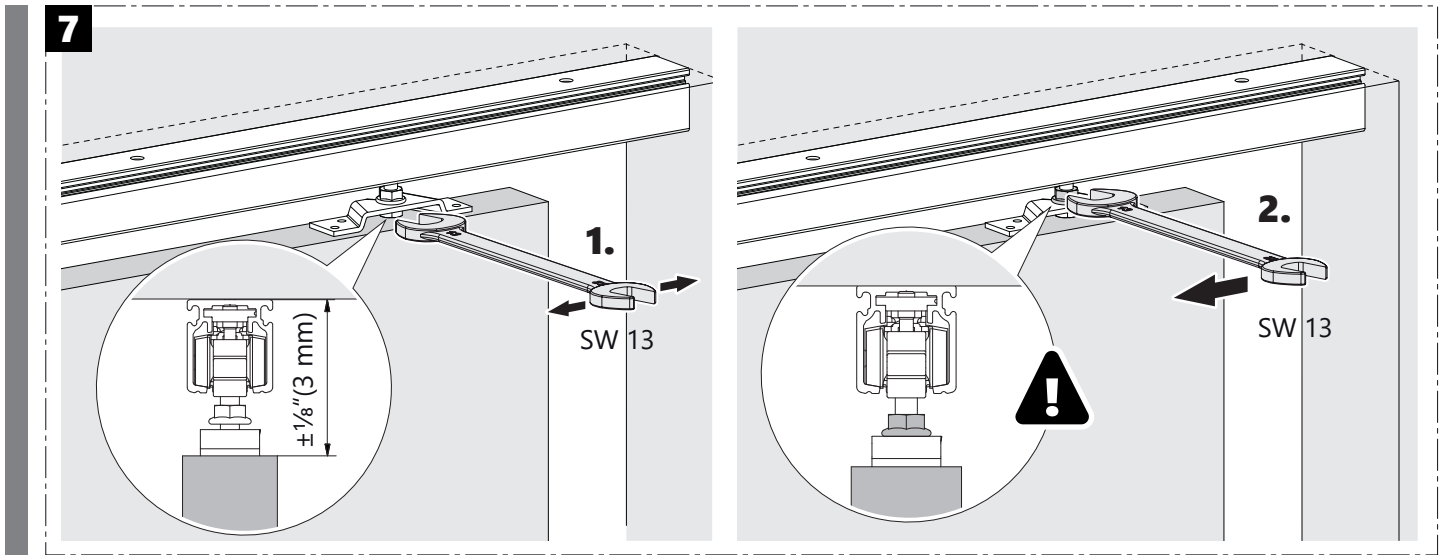


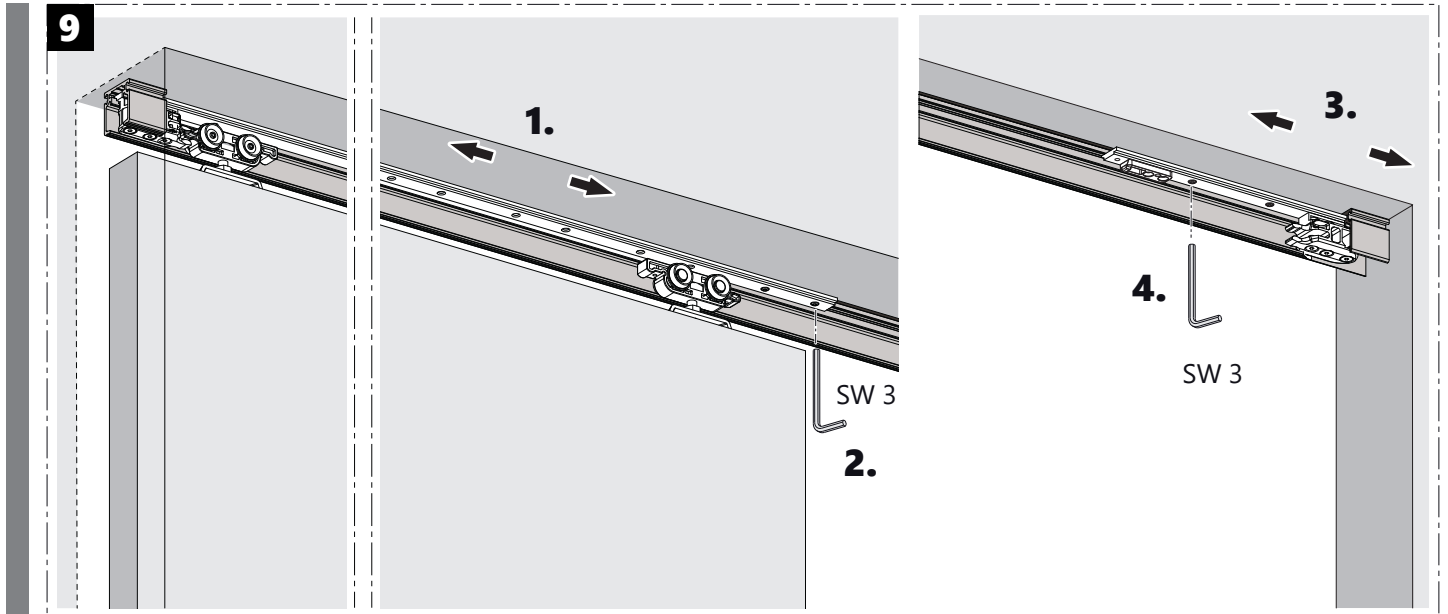
4

When using a wall mounting profile, please follow the corresponding installation instruction.









Replacement of parts through the inspection opening

