



Installation Instructions

VARIOpocket **Sliding Hardware**

For double side pocket doors

Page index

Preparation	P.3
Scope of delivery.....	P.4
Dimensions	P.6
Installation.....	P.12
Jamb Kit installation	P.20
Wood door leaf installation	P.22
Glass door leaf installation	P.26
Door stop position setting.....	P.30

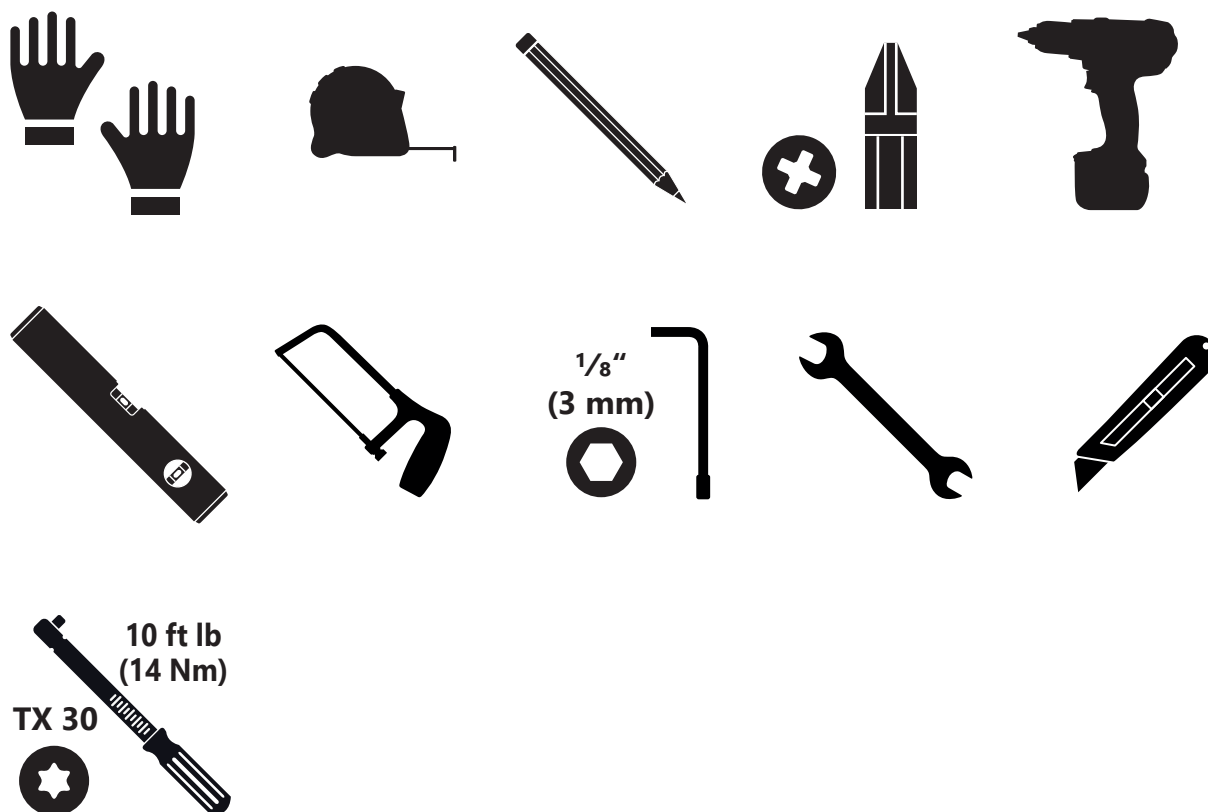
Product description

The VARIOpocket is an installation element for sliding doors in 2x4 stud framing. Suitable for wood or glass doors up to 176 lb (80 kg) door panel weight with door dimensions from 40" x 96" (1016 mm x 2438 mm) to max. 48" x 96" (1220 mm x 2438 mm).

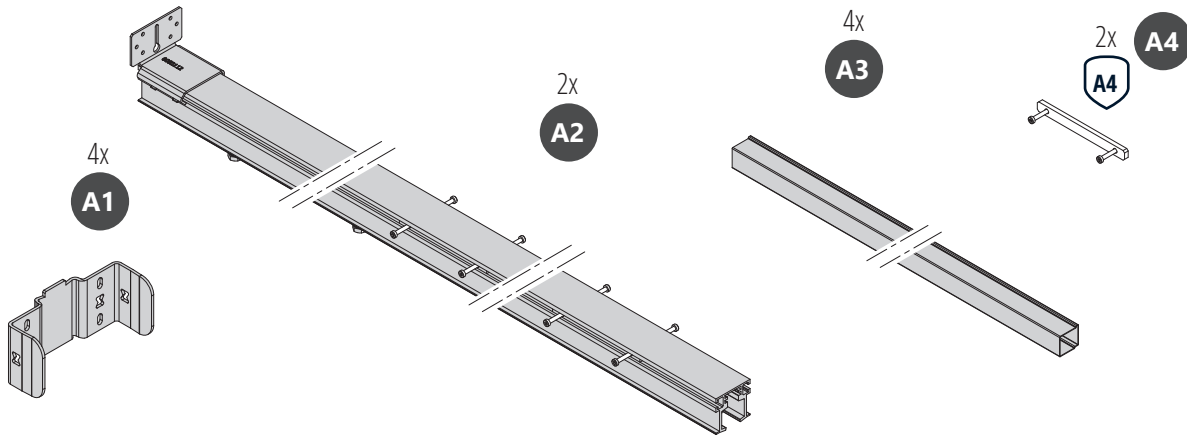
Safety notes

Before assembly, please read the installation instructions carefully. In case of difficulties in understanding, contact the customer service or your supplier. In order to assemble the purchased product properly, please use the tools indicated on the following page. Since some parts may have sharp edges, also be sure to protect your hands and work surfaces from cuts or scratches. During assembly, always ensure that you work ergonomically and only assemble alone if you can rule out any risk to your health or other persons. All components were checked for integrity before delivery. No liability is accepted for damage caused by improper assembly or transport.

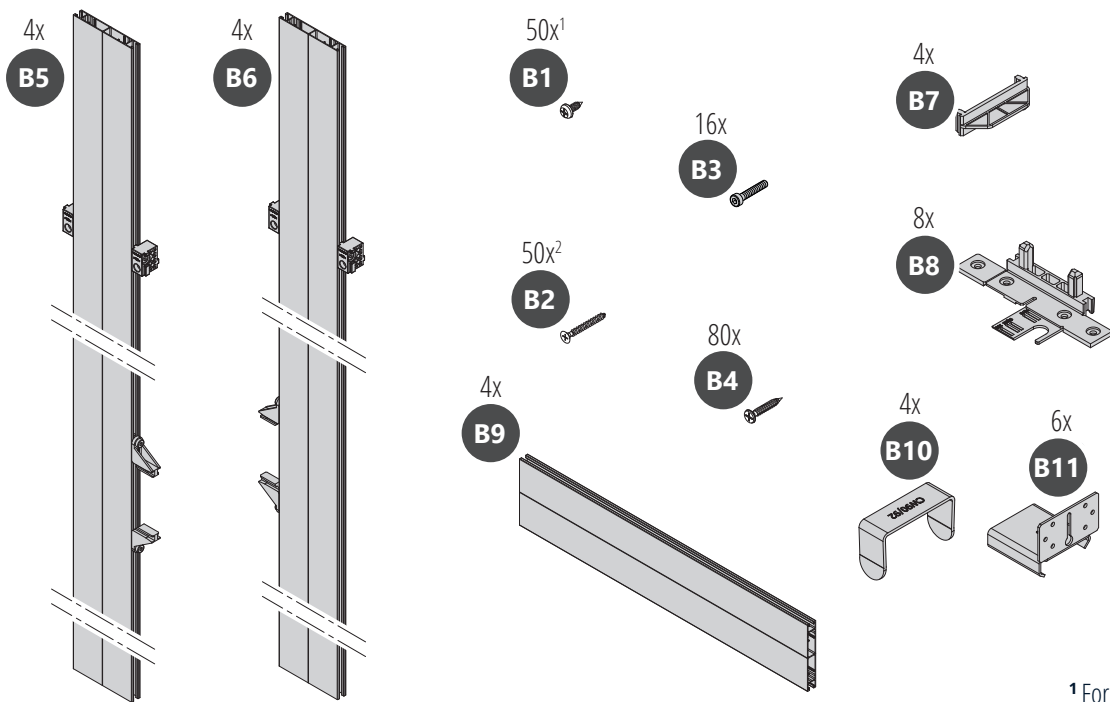
Required tools



Track incl. wheel set and hold-in-place stoppers



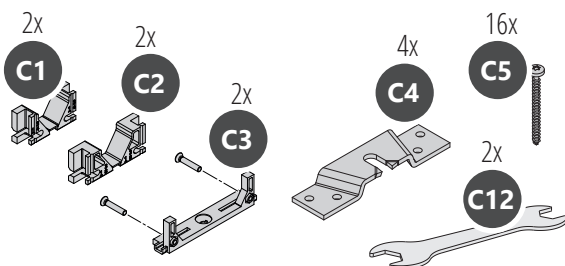
Framing kit



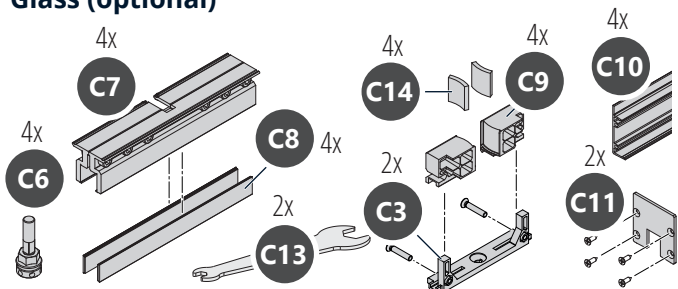
¹ For metal studs
² For 2x4 wood studs

Door installation set

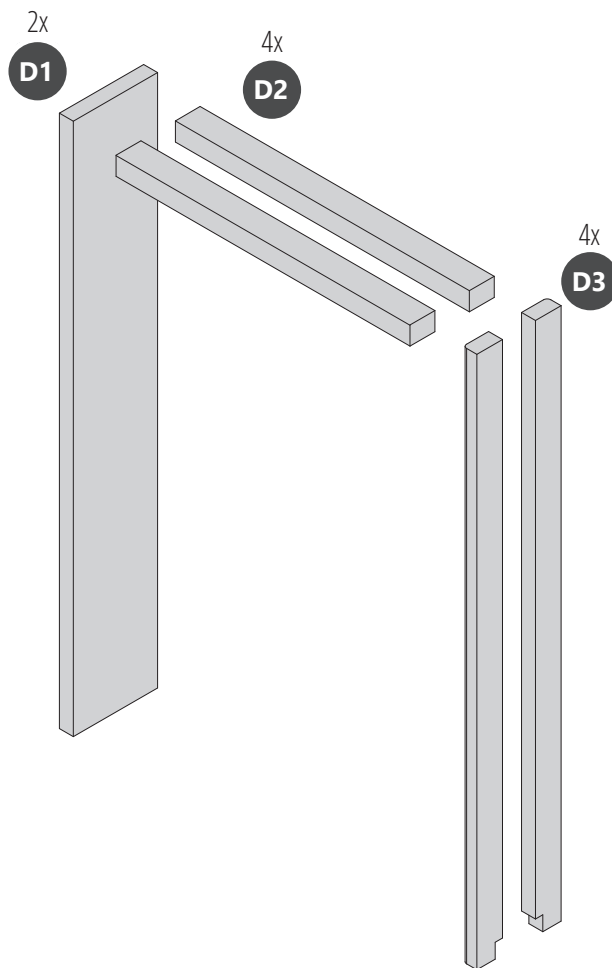
Wood



Glass (optional)

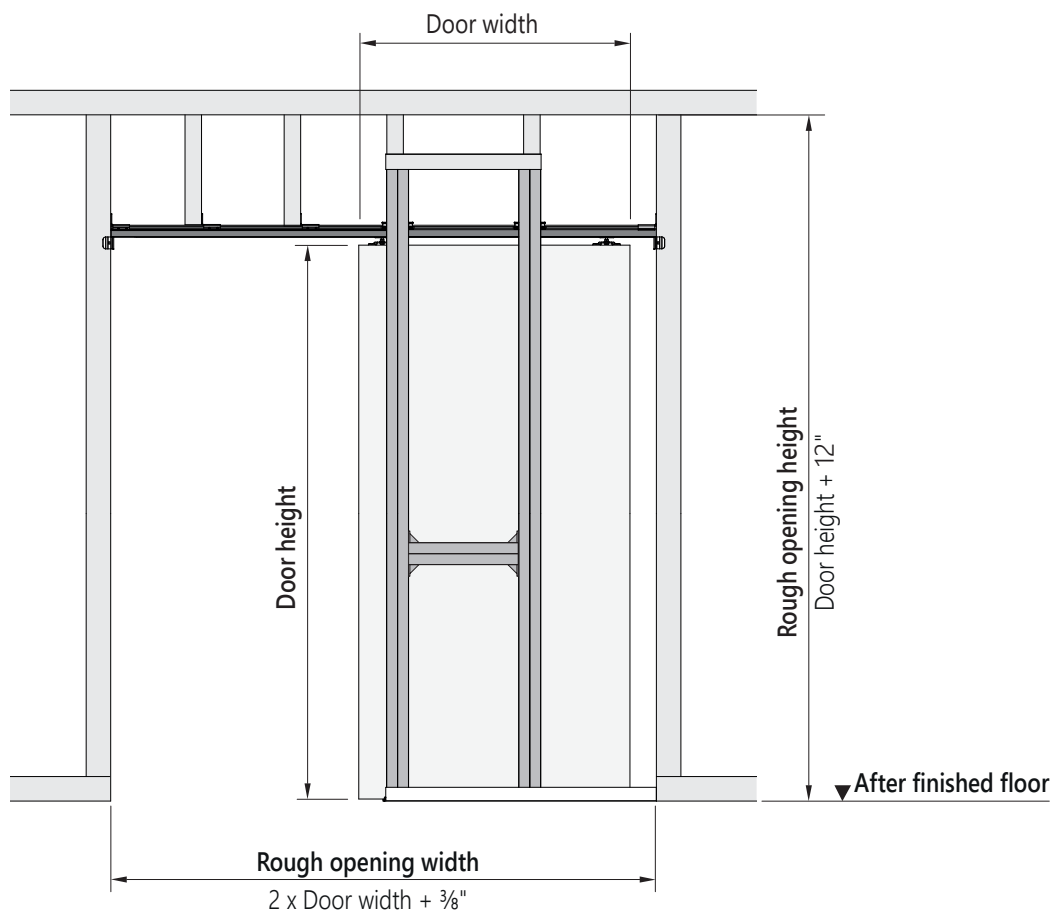


Jamb kit (optional)



Rough opening

One side

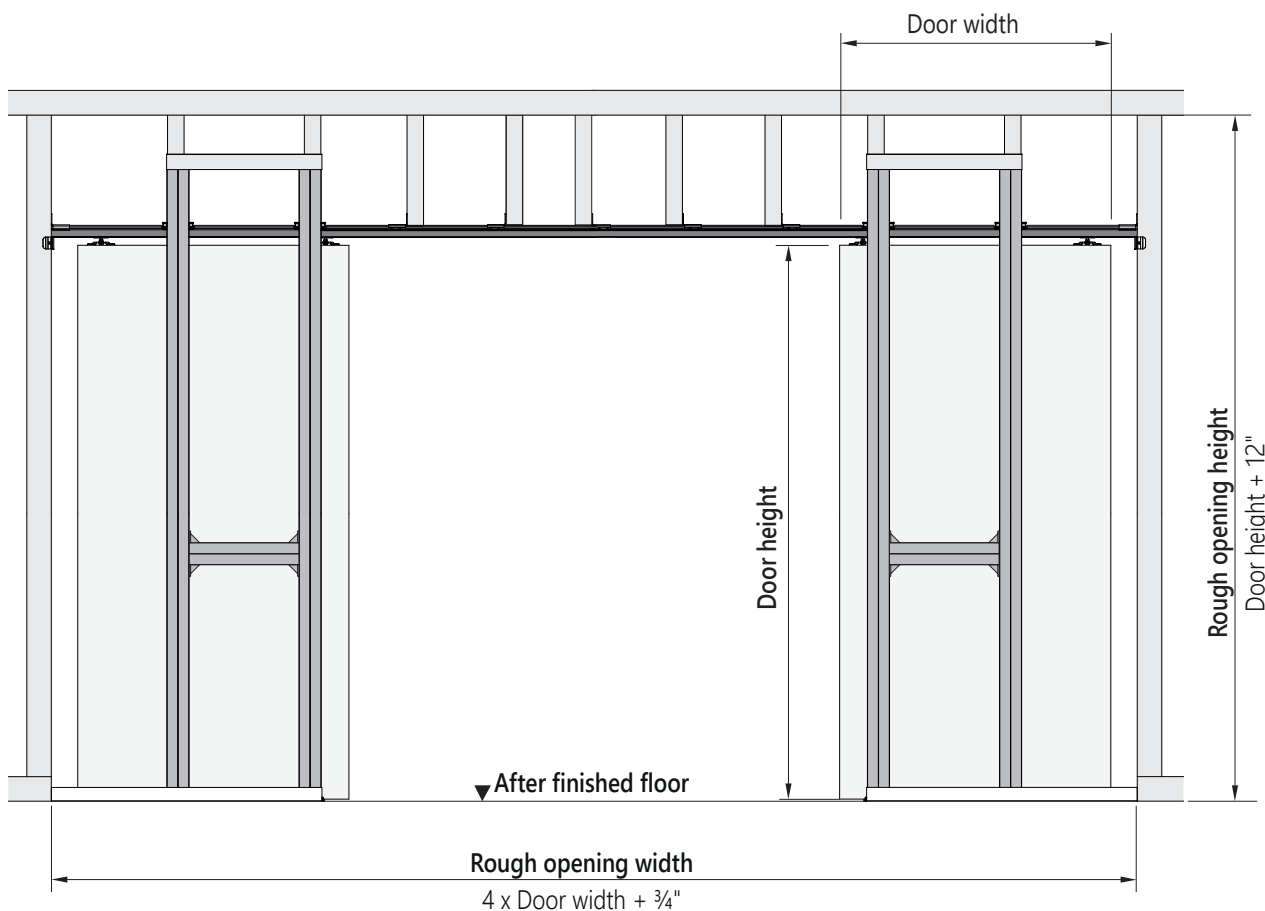


Door width	Door height							
	80"		82"		84"		96"	
	RO width	RO height	RO width	RO height	RO width	RO height	RO width	RO height
24"	48 3/8"	92"*	48 3/8"	94"*	48 3/8"	96"*	48 3/8"	108"
26"	52 3/8"	92"*	52 3/8"	94"*	52 3/8"	96"*	52 3/8"	108"
28"	56 3/8"	92"*	56 3/8"	94"*	56 3/8"	96"*	56 3/8"	108"
30"	60 3/8"	92"*	60 3/8"	94"*	60 3/8"	96"*	60 3/8"	108"
32"	64 3/8"	92"*	64 3/8"	94"*	64 3/8"	96"*	64 3/8"	108"
34"	68 3/8"	92"*	68 3/8"	94"*	68 3/8"	96"*	68 3/8"	108"
36"	72 3/8"	92"*	72 3/8"	94"*	72 3/8"	96"*	72 3/8"	108"
38"	76 3/8"	92"*	76 3/8"	94"*	76 3/8"	96"*	76 3/8"	108"
40"	80 3/8"	92"*	80 3/8"	94"*	80 3/8"	96"*	80 3/8"	108"
42"	84 3/8"	92"*	84 3/8"	94"*	84 3/8"	96"*	84 3/8"	108"
44"	88 3/8"	92"*	88 3/8"	94"*	88 3/8"	96"*	88 3/8"	108"
46"	92 3/8"	92"*	92 3/8"	94"*	92 3/8"	96"*	92 3/8"	108"
48"	96 3/8"	92"*	96 3/8"	94"*	96 3/8"	96"*	96 3/8"	108"

* Minimum required rough opening height. If you have enough headroom, you can install the PocketSet Pro without cutting the vertical pocket profiles. This requires a rough opening height of 108" or more.

Rough opening

Double side

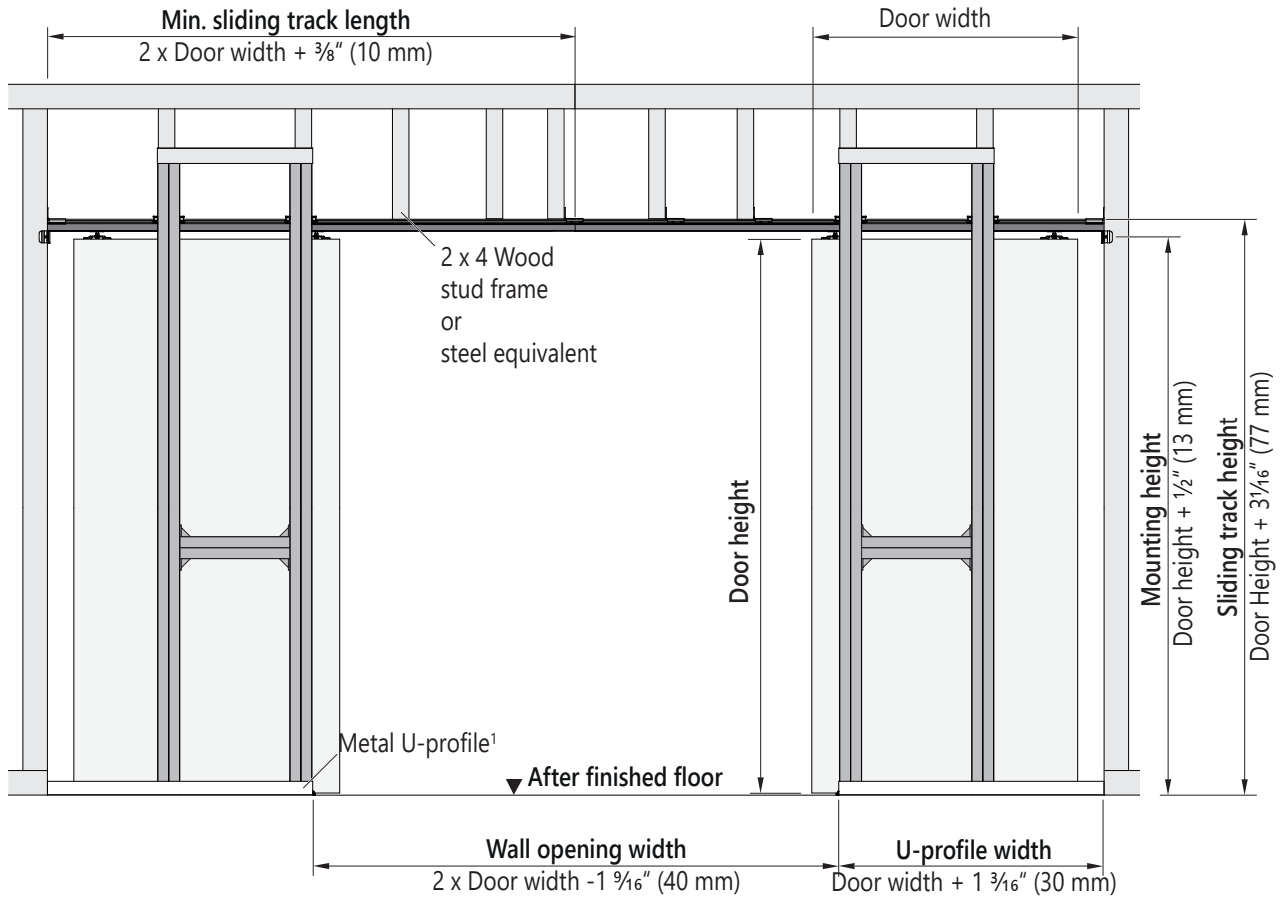


Door width	Door height							
	80"		82"		84"		96"	
	RO width	RO height	RO width	RO height	RO width	RO height	RO width	RO height
24"	96 3/4"	92"*	96 3/4"	94"*	96 3/4"	96"*	96 3/4"	108"
26"	104 3/4"	92"*	104 3/4"	94"*	104 3/4"	96"*	104 3/4"	108"
28"	112 3/4"	92"*	112 3/4"	94"*	112 3/4"	96"*	112 3/4"	108"
30"	120 3/4"	92"*	120 3/4"	94"*	120 3/4"	96"*	120 3/4"	108"
32"	128 3/4"	92"*	128 3/4"	94"*	128 3/4"	96"*	128 3/4"	108"
34"	136 3/4"	92"*	136 3/4"	94"*	136 3/4"	96"*	136 3/4"	108"
36"	144 3/4"	92"*	144 3/4"	94"*	144 3/4"	96"*	144 3/4"	108"
38"	152 3/4"	92"*	152 3/4"	94"*	152 3/4"	96"*	152 3/4"	108"
40"	160 3/4"	92"*	160 3/4"	94"*	160 3/4"	96"*	160 3/4"	108"
42"	168 3/4"	92"*	168 3/4"	94"*	168 3/4"	96"*	168 3/4"	108"
44"	176 3/4"	92"*	176 3/4"	94"*	176 3/4"	96"*	176 3/4"	108"
46"	184 3/4"	92"*	184 3/4"	94"*	184 3/4"	96"*	184 3/4"	108"
48"	192 3/4"	92"*	192 3/4"	94"*	192 3/4"	96"*	192 3/4"	108"

* Minimum required rough opening height. If you have enough headroom, you can install the PocketSet Pro without cutting the vertical pocket profiles. This requires a rough opening height of 108" or more.

Front view

Wood door leaf with jamb kit

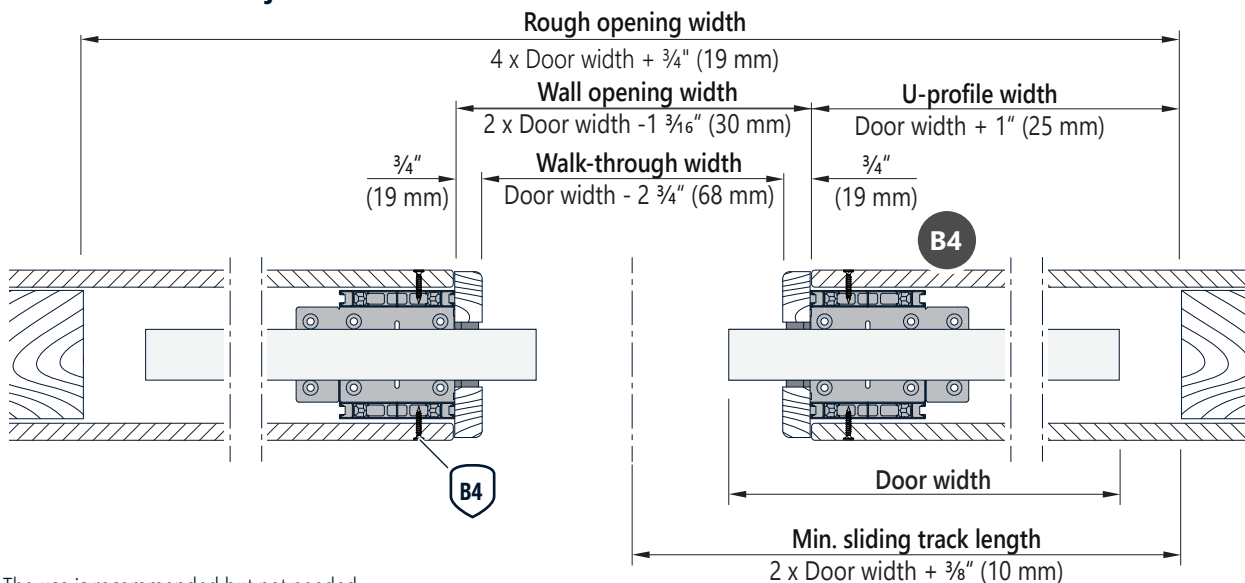


Note:

When using frameless jamb kit, use the dimensions of the separate assembly instruction!

Top view

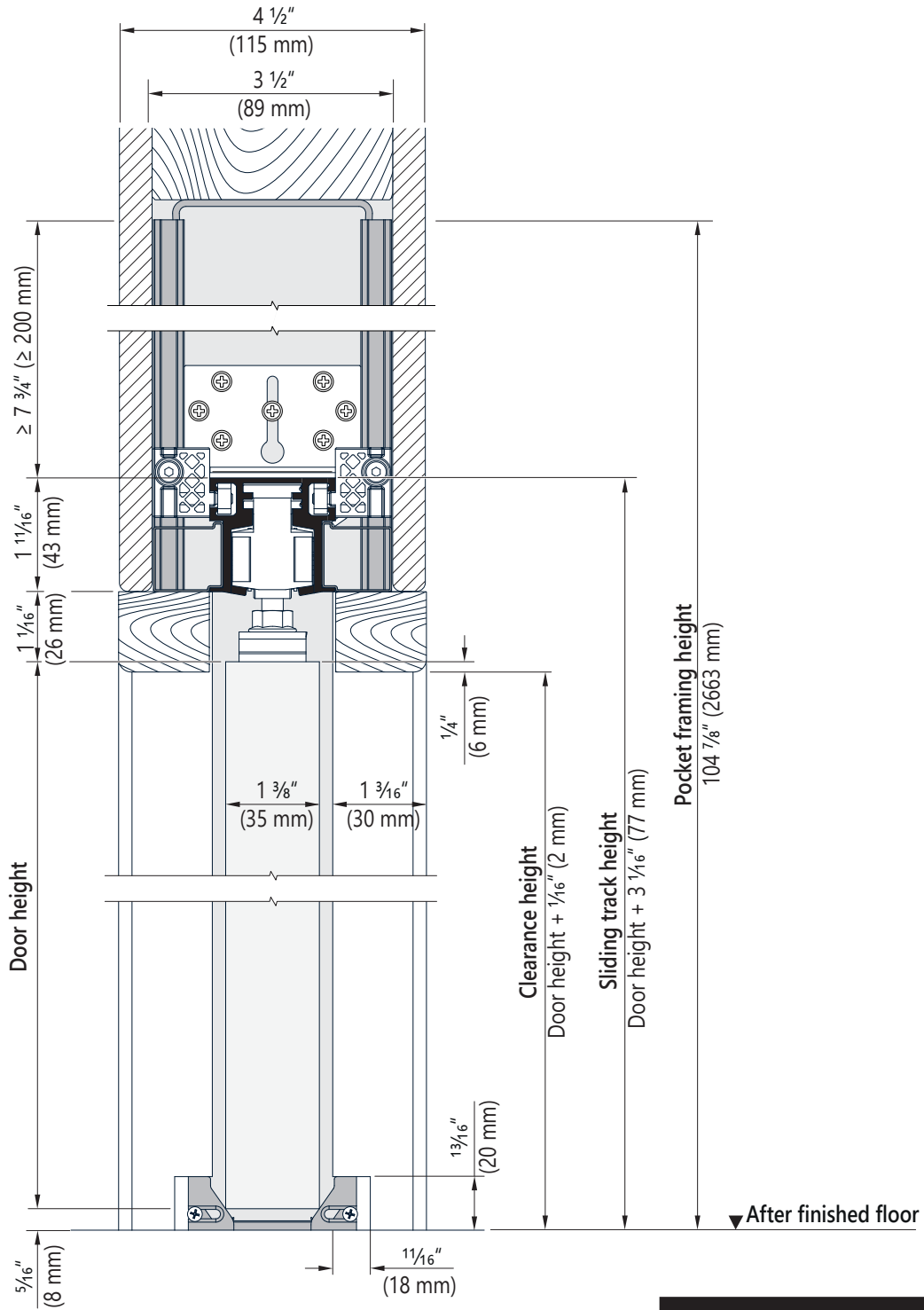
Wood door leaf with jamb kit



¹ The use is recommended but not needed.

Side view

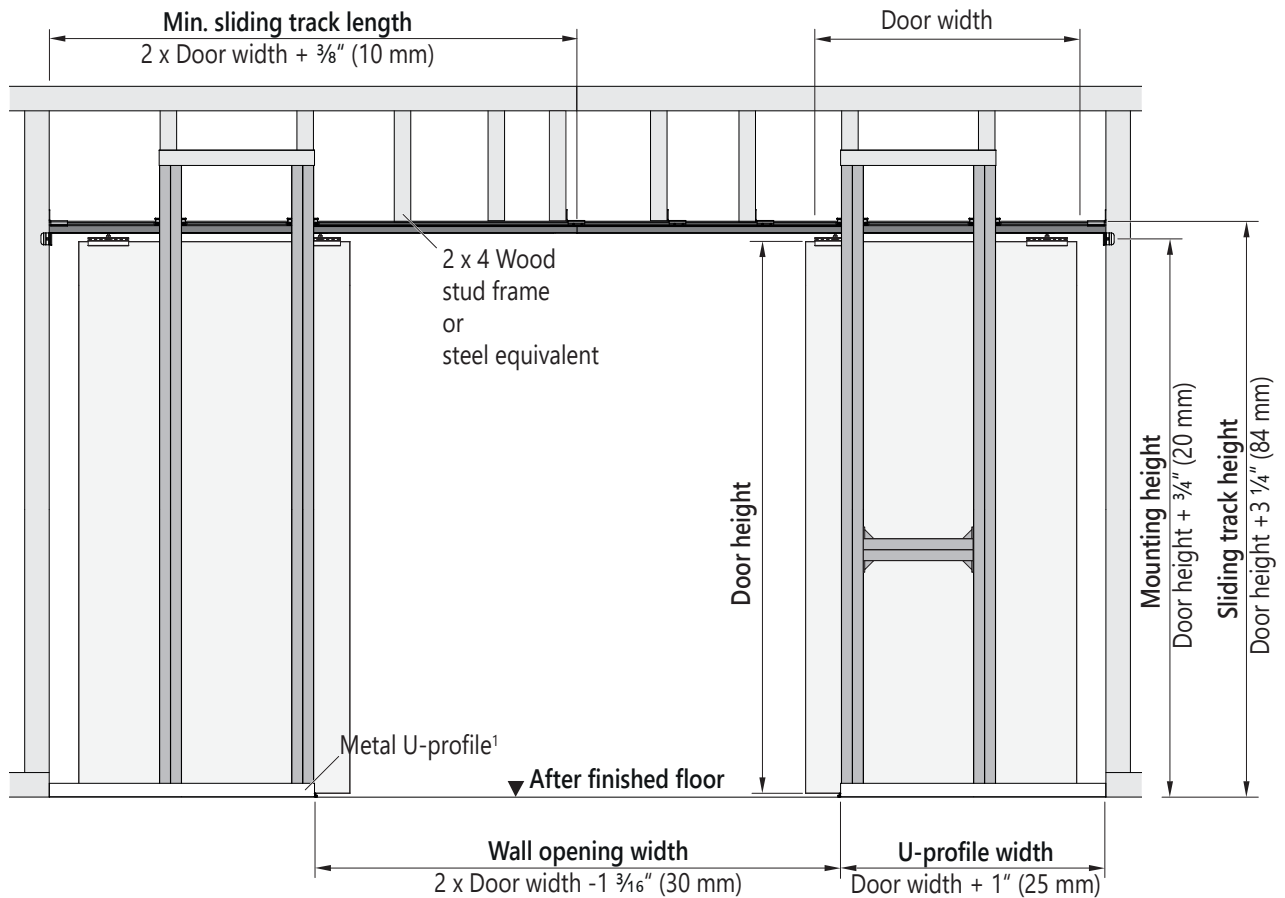
Wood door leaf with jamb kit



Note:
When using frameless jamb kit, use the dimensions of the separate assembly instruction!

Front view

Glass door leaf with jamb kit

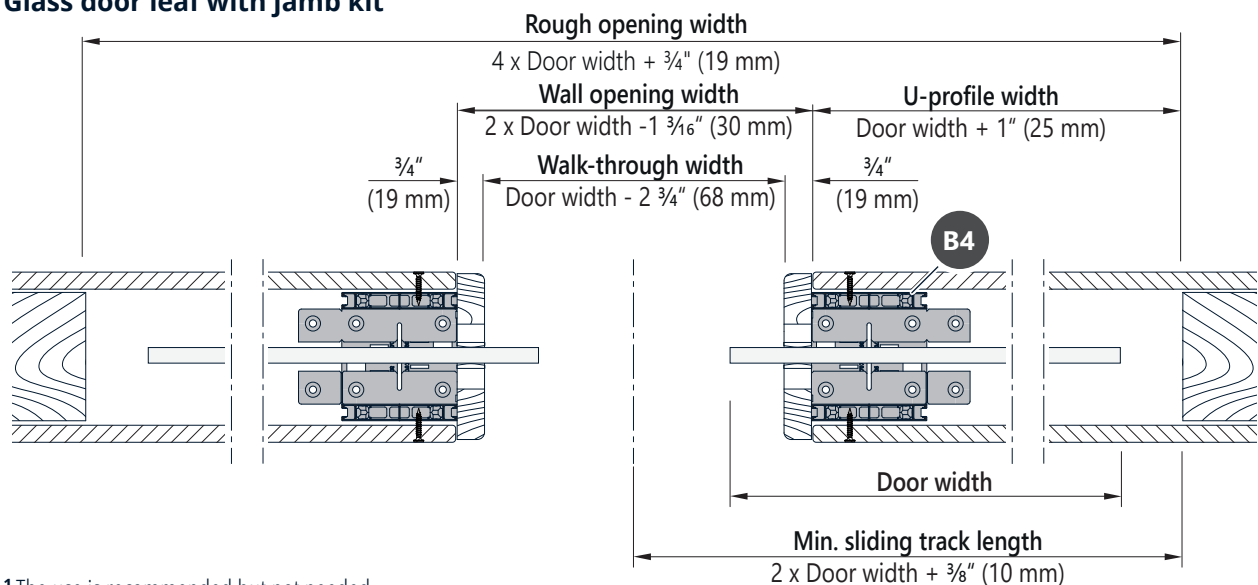


Note:

When using frameless jamb kit, use the dimensions of the separate assembly instruction!

Top view

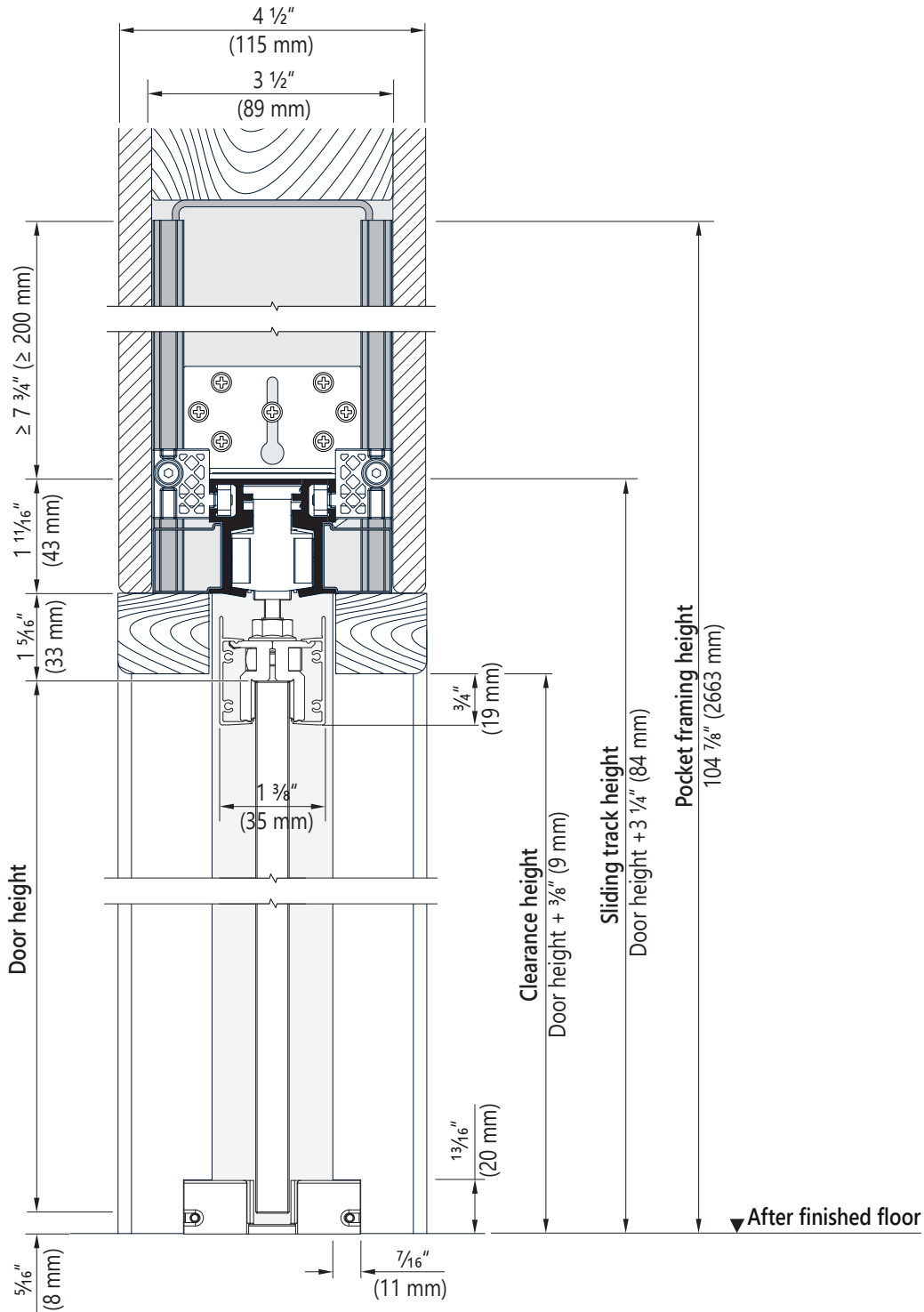
Glass door leaf with jamb kit



¹ The use is recommended but not needed.

Side view

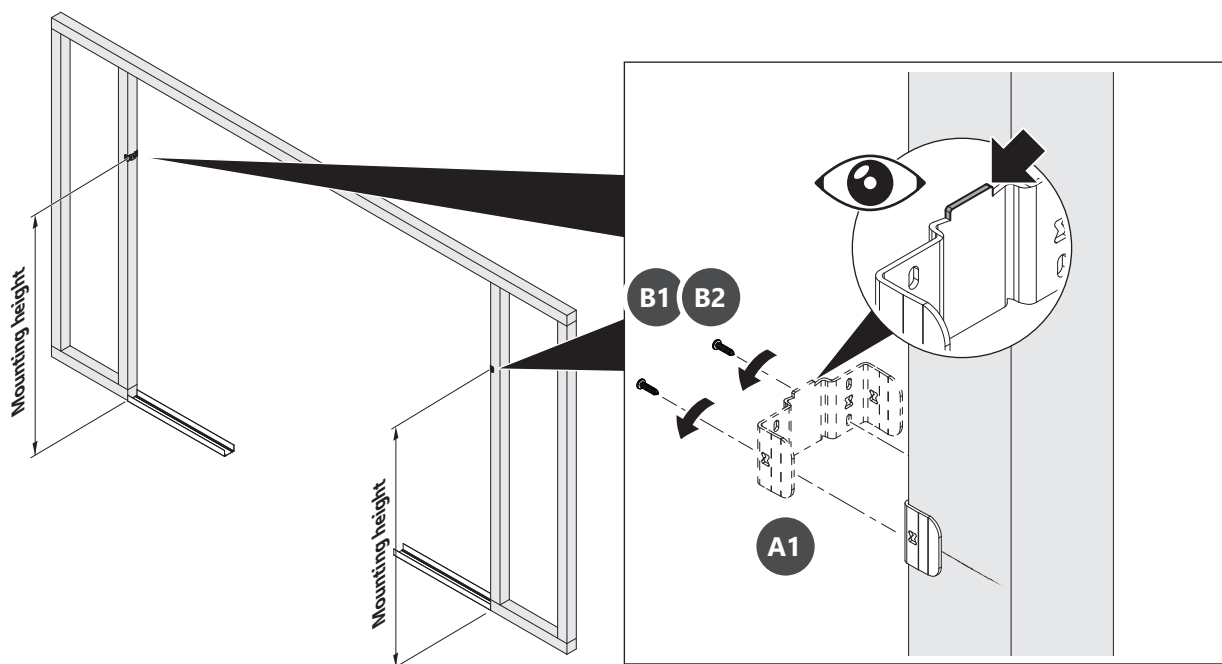
Glass door leaf with jamb kit



Note:

When using frameless jamb kit, use the dimensions of the separate assembly instruction!

1.



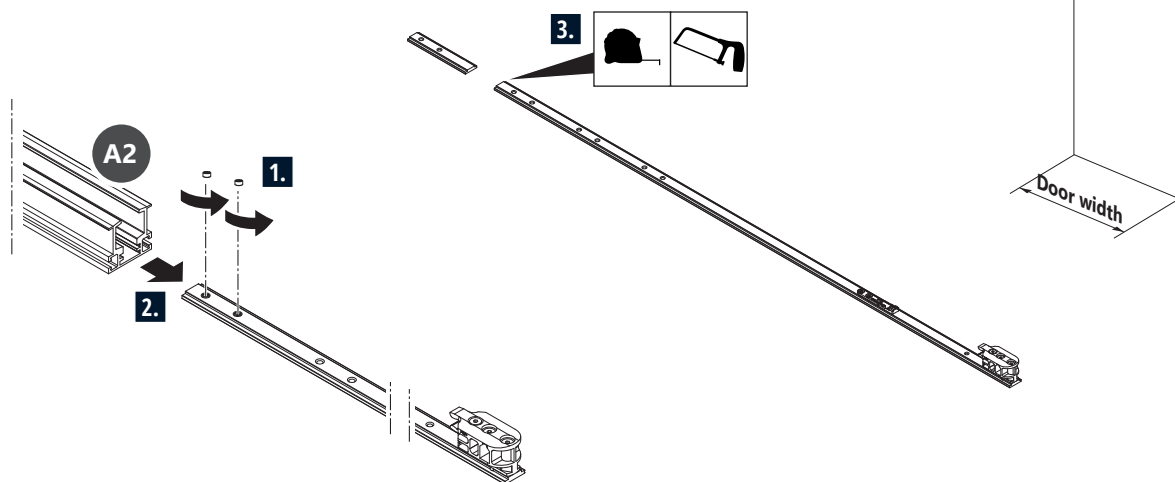
Note:

Find the dimensions of the mounting height on page 6 for wood doors and page 8 for glass doors.

2.

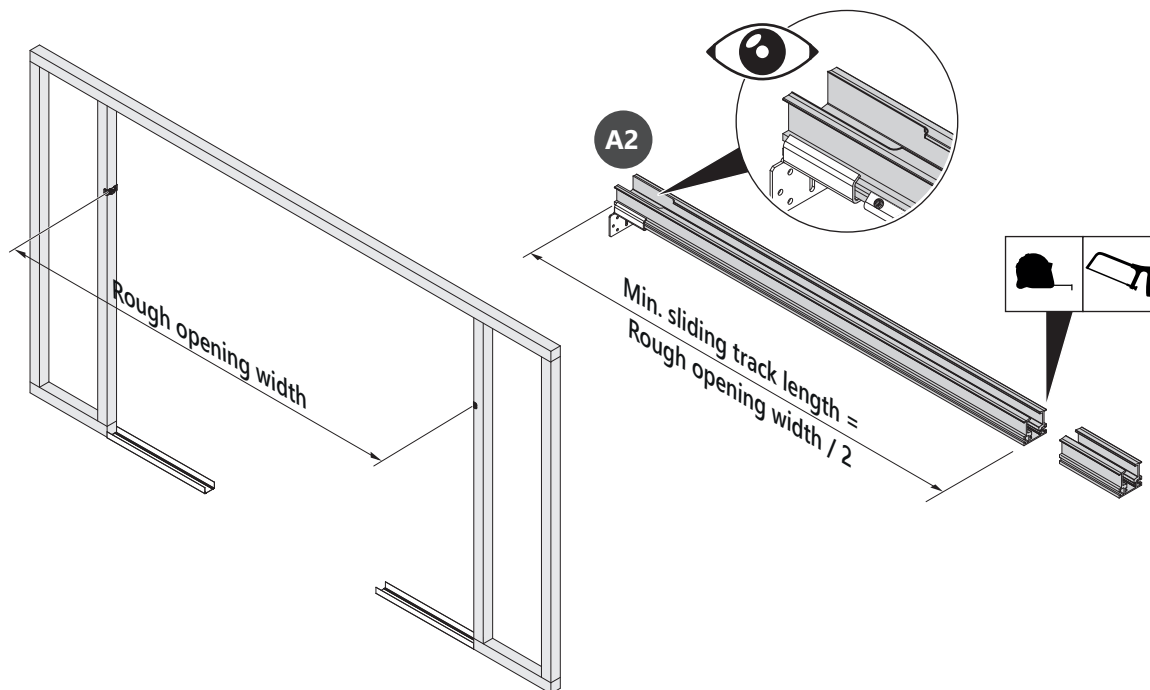
Note:

Shorten stopper adjustment mechanism according to the markings for different door sizes.

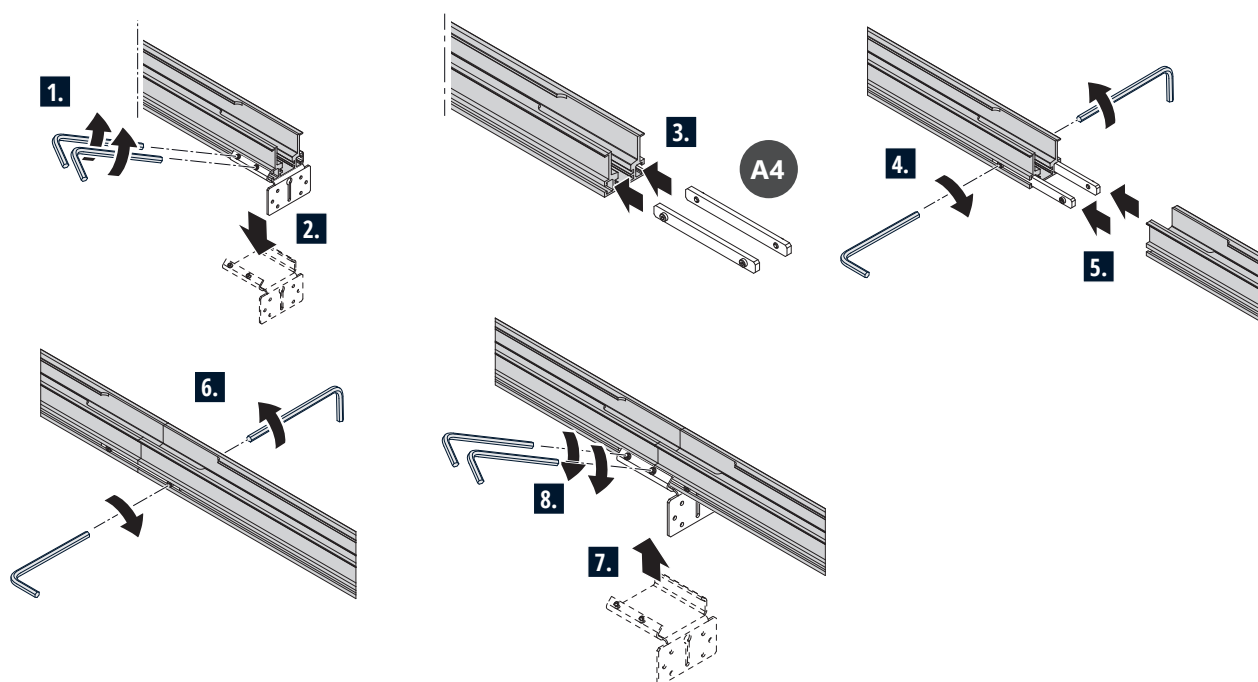


3.

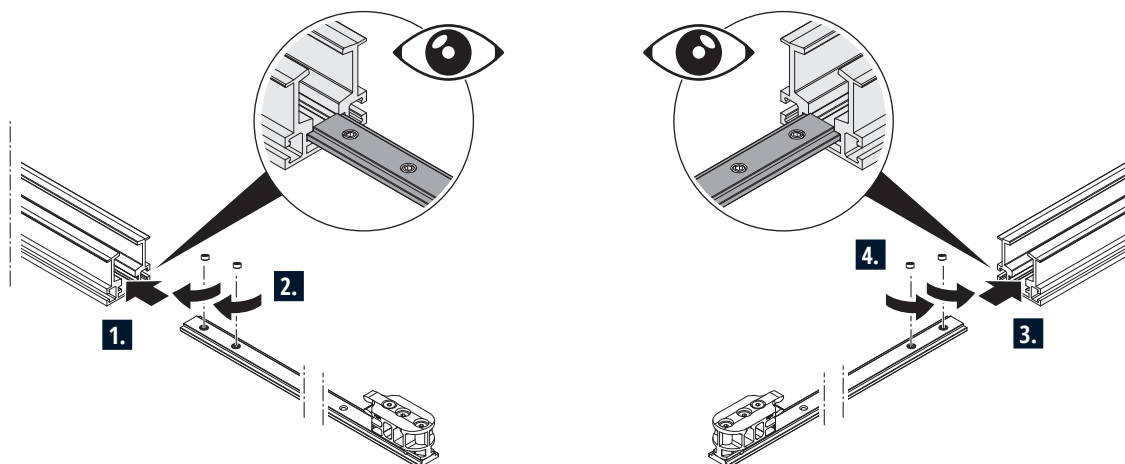
Note:
If necessary, mount accessories before attaching the track! When using a softstop, synchro or a push to open, follow the steps of the separate installation instructions!



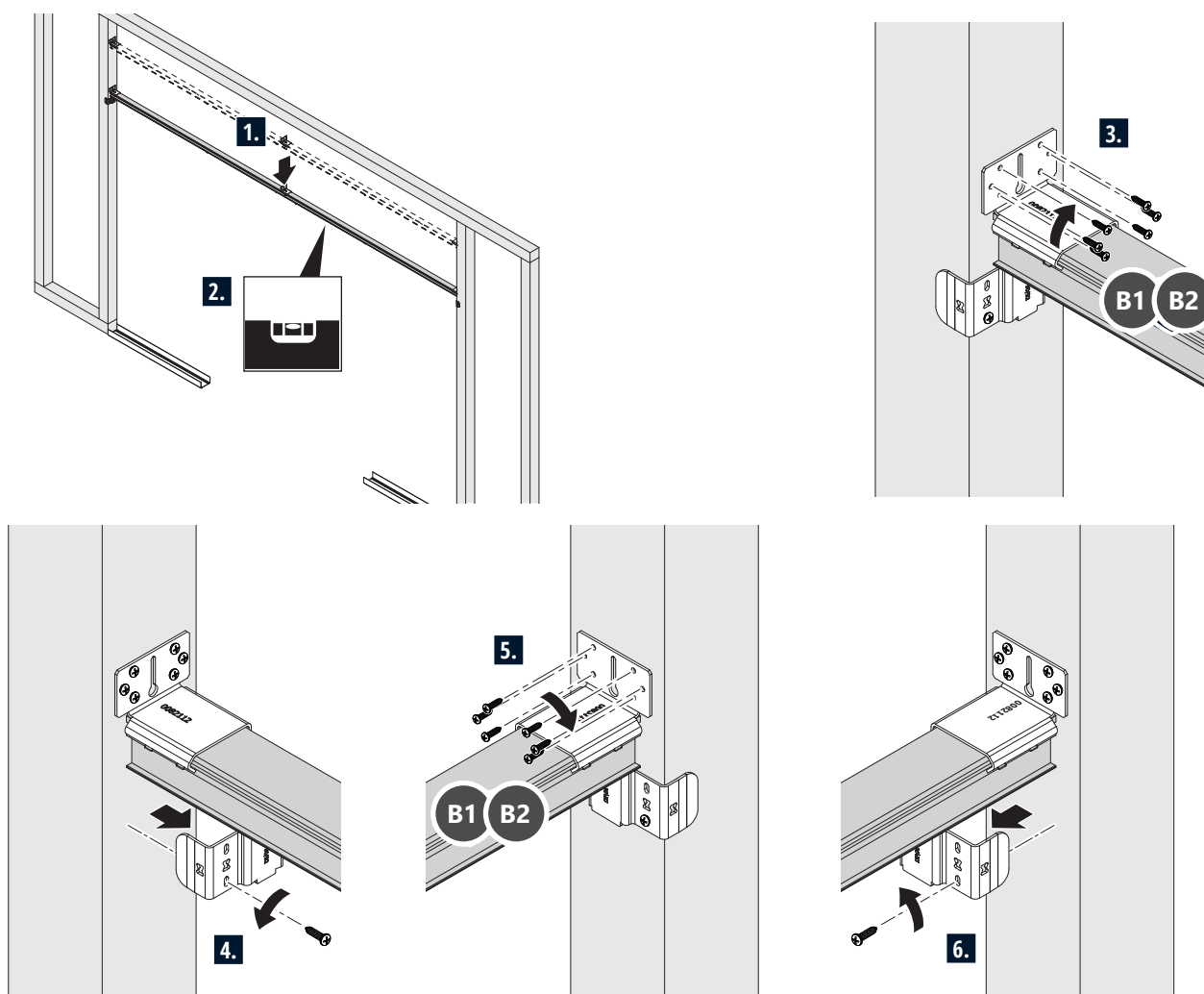
4.



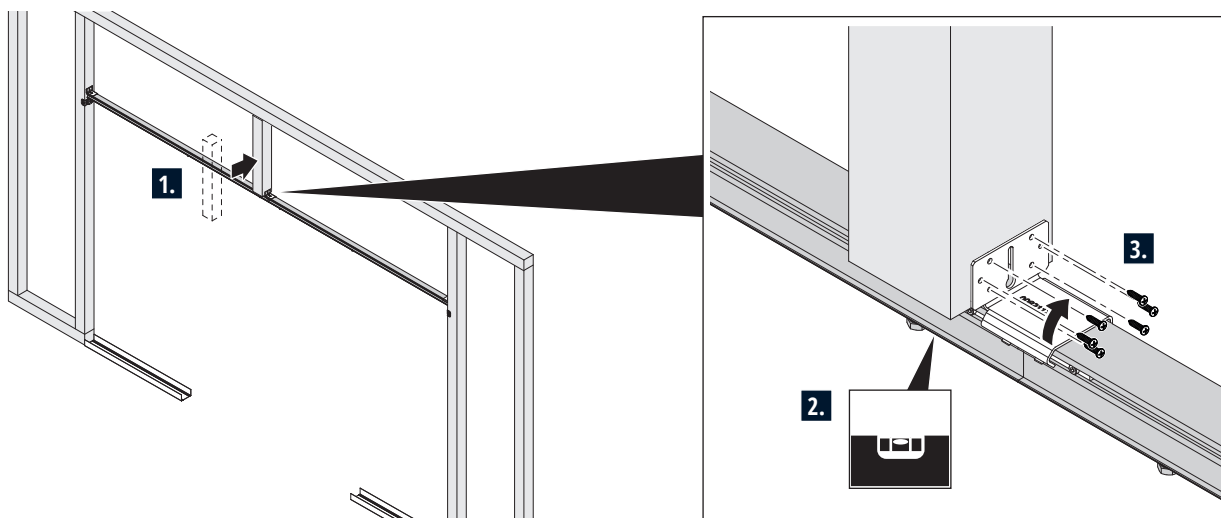
5.



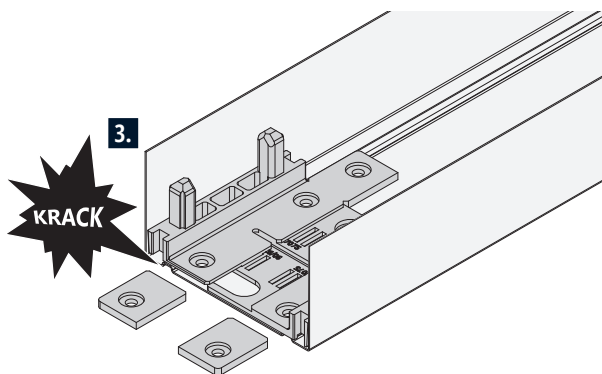
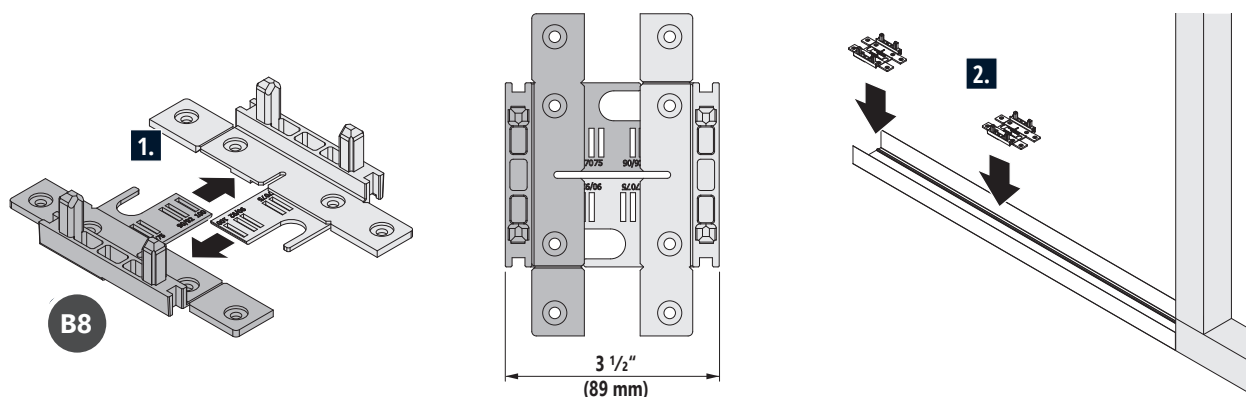
6.



7.



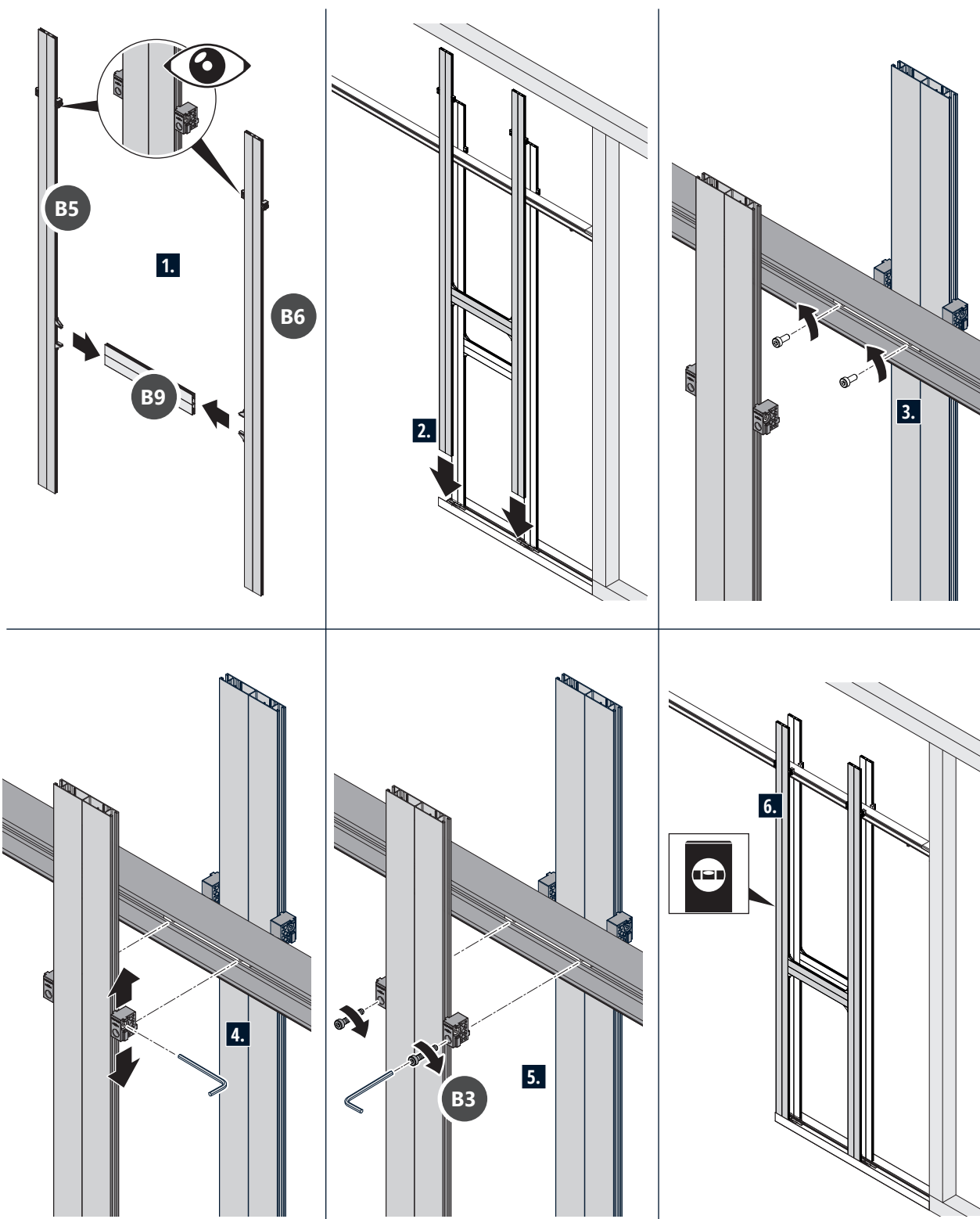
8.



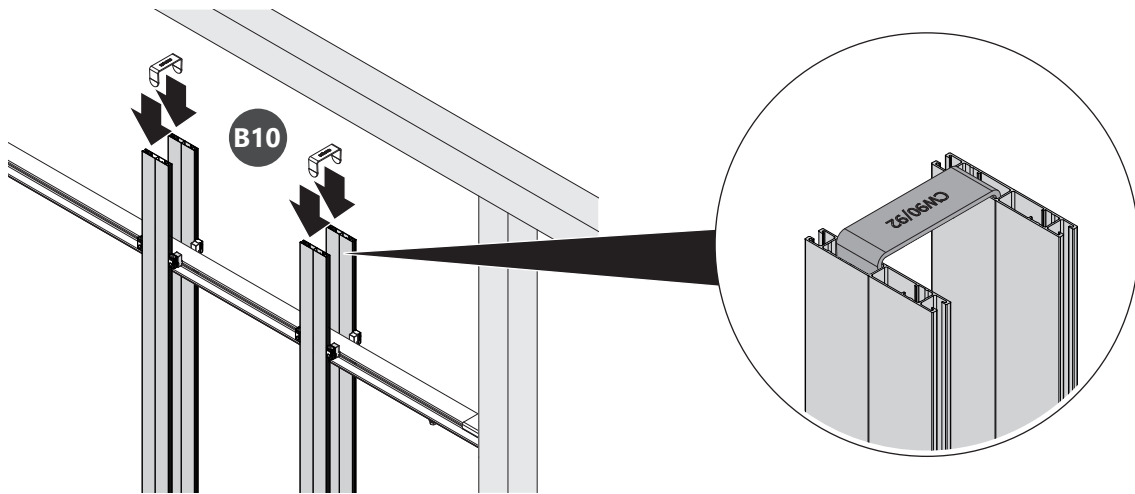
Note:

The fastening material must be adapted to the local conditions. The feet may be either screwed or glued. The use of a metal U-profile is recommended but not needed.

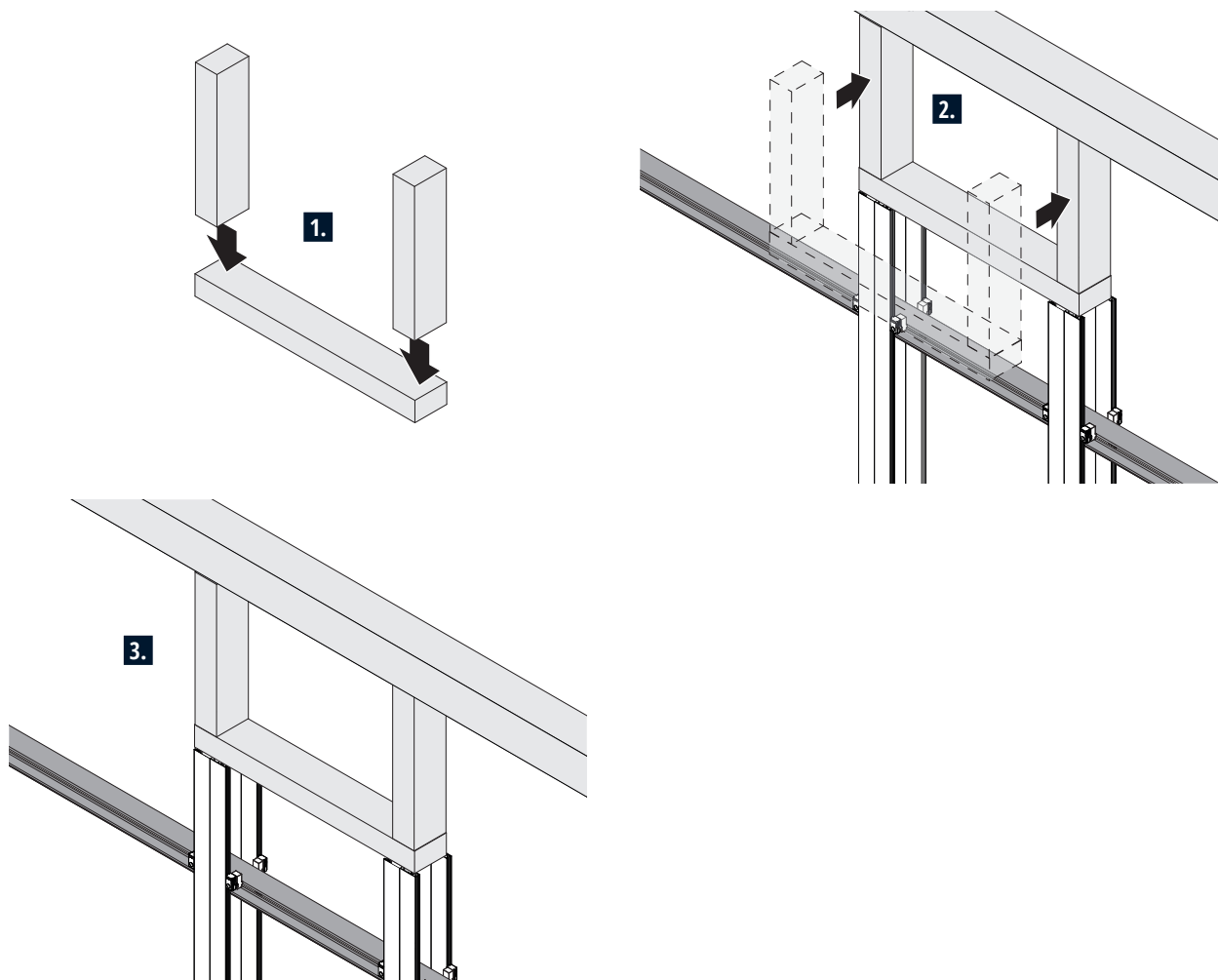
9.



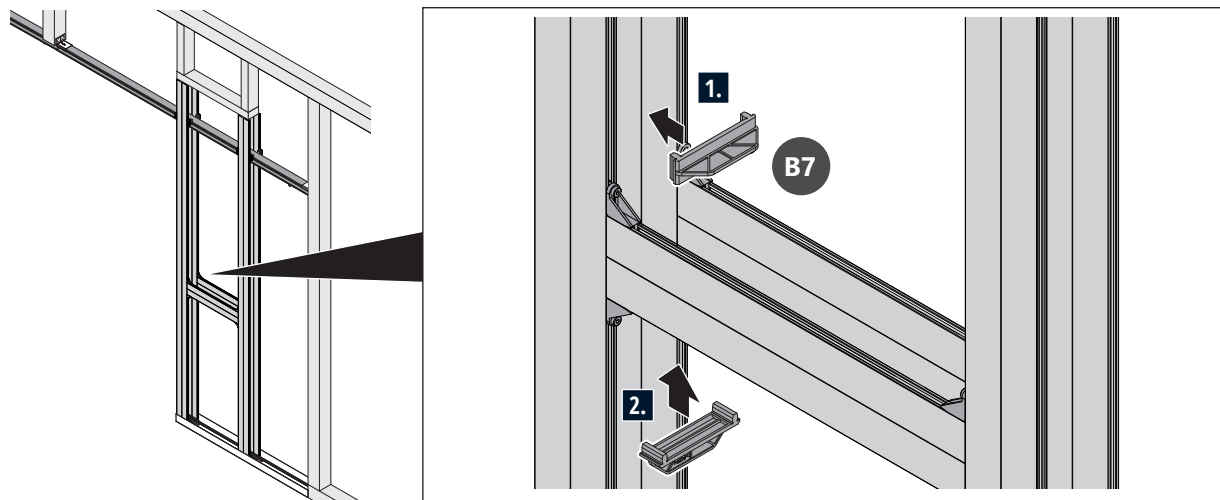
10.



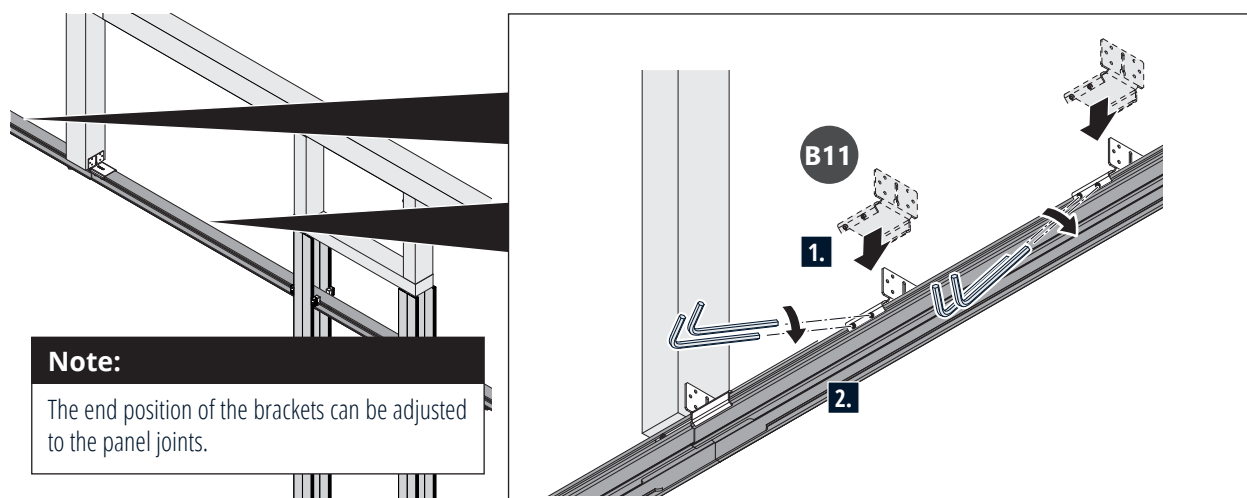
11.



12.

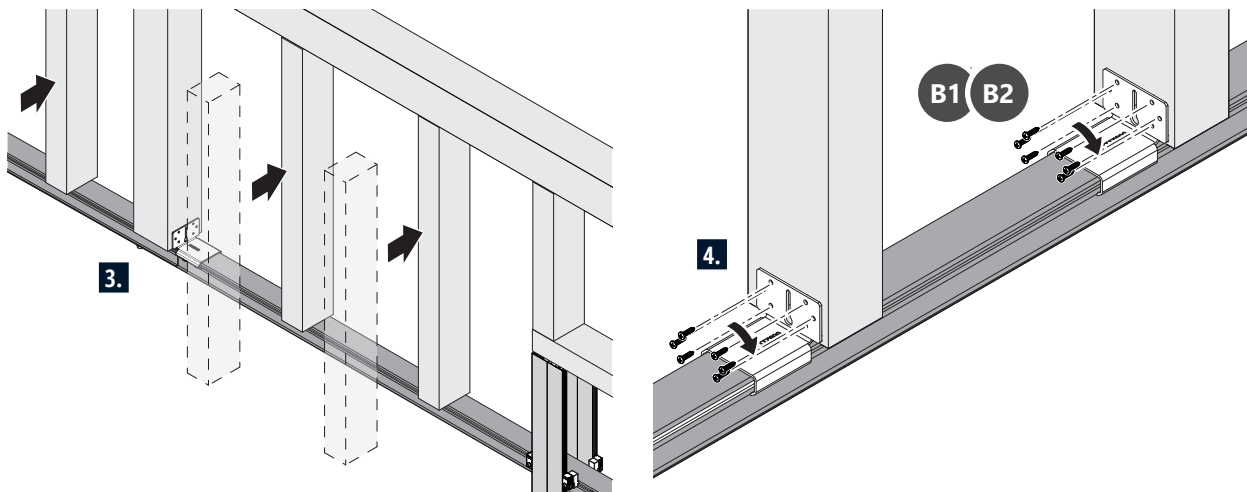


13.



Note:

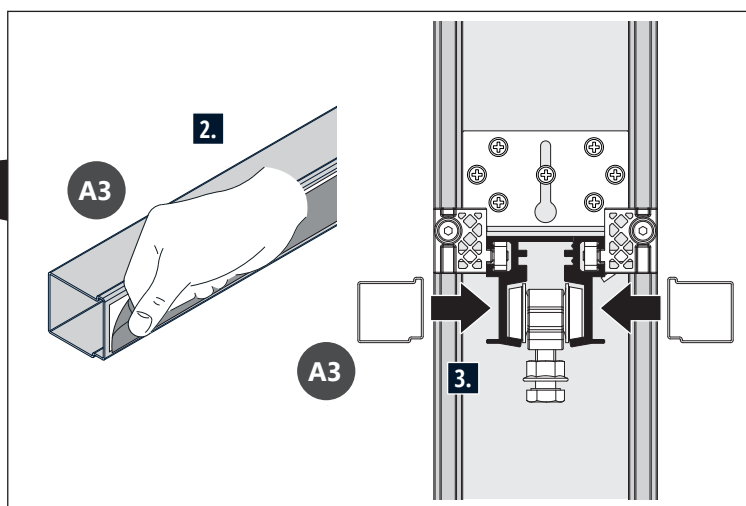
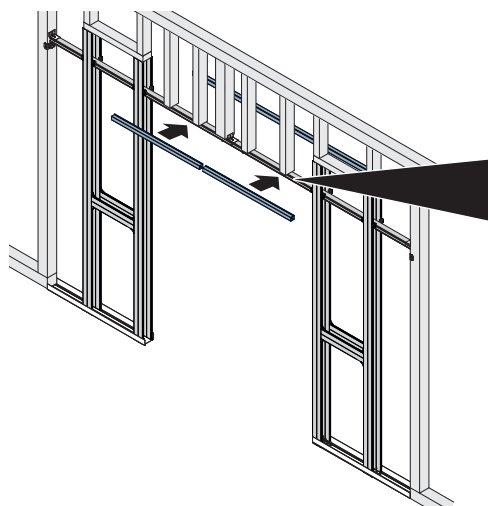
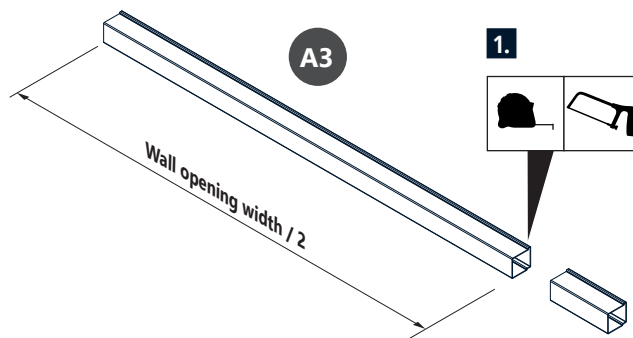
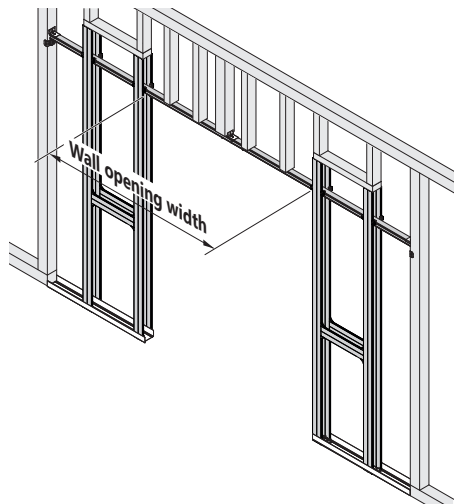
The end position of the brackets can be adjusted to the panel joints.



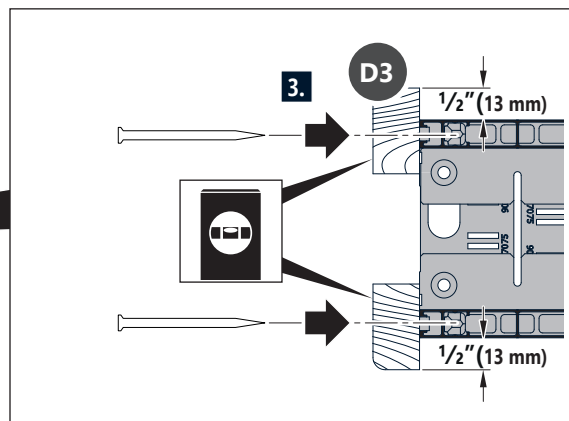
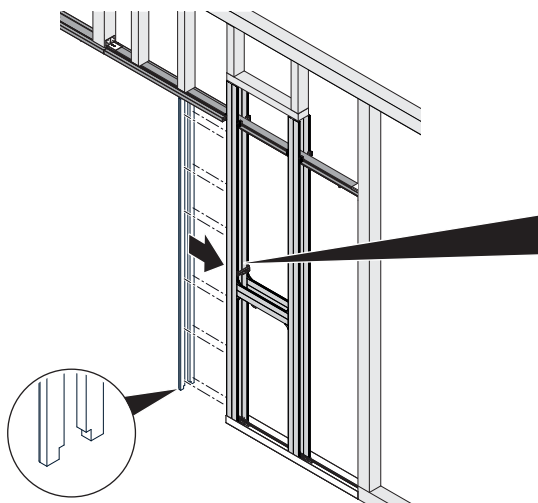
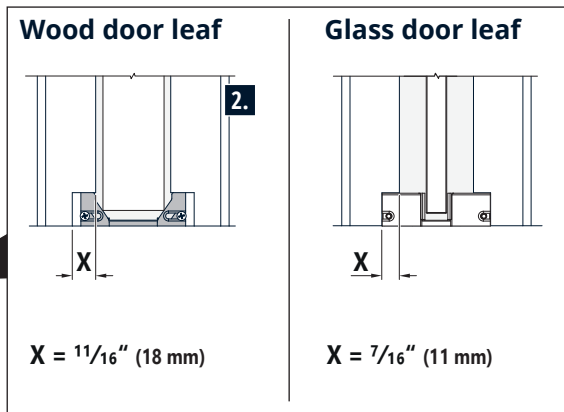
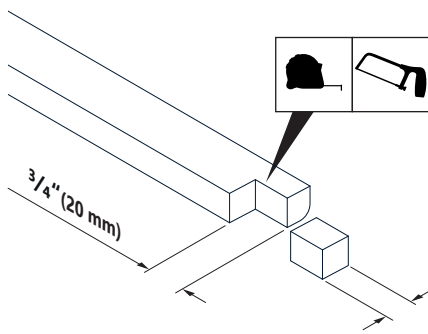
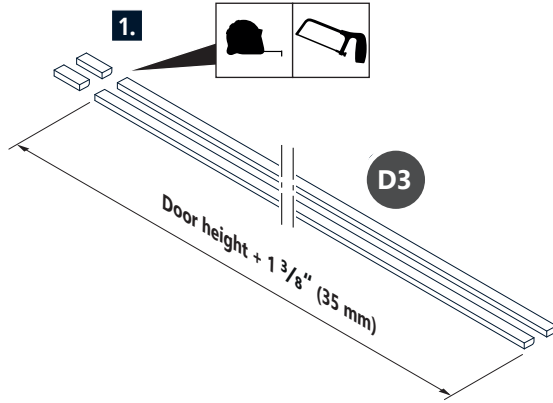
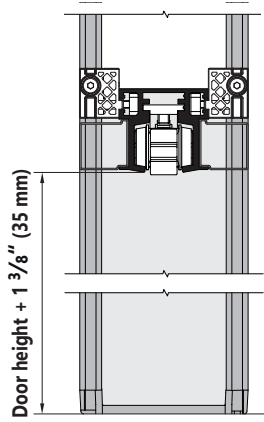
14.

With jamb kit

Note:
This step is only needed if you are installing a jamb kit. When using frameless jamb kit, follow the steps of the separate installation instruction!



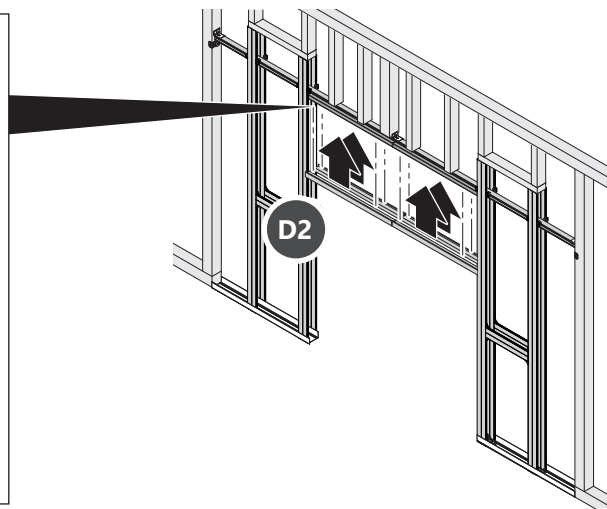
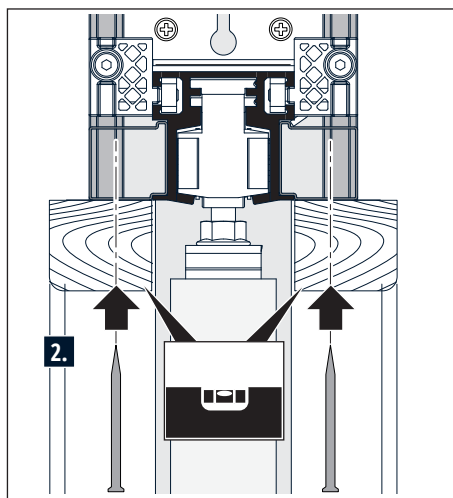
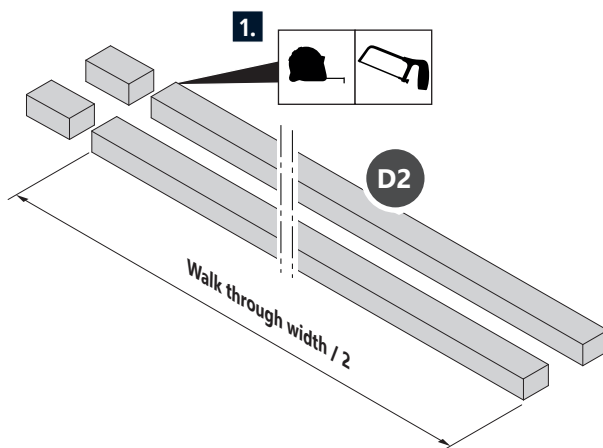
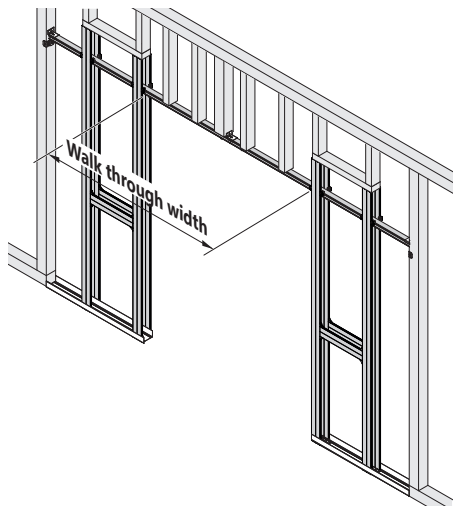
15.



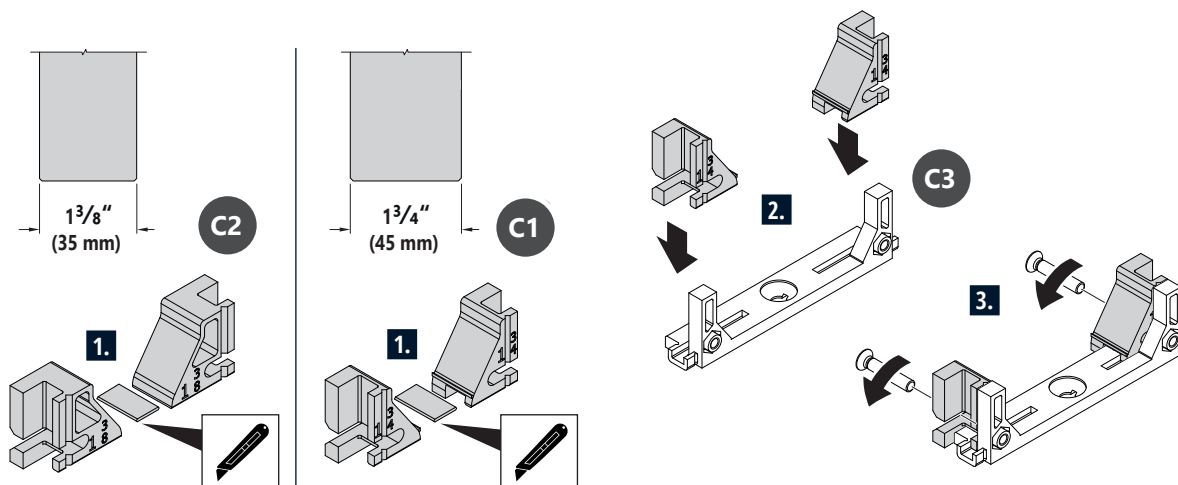
16.

Note:

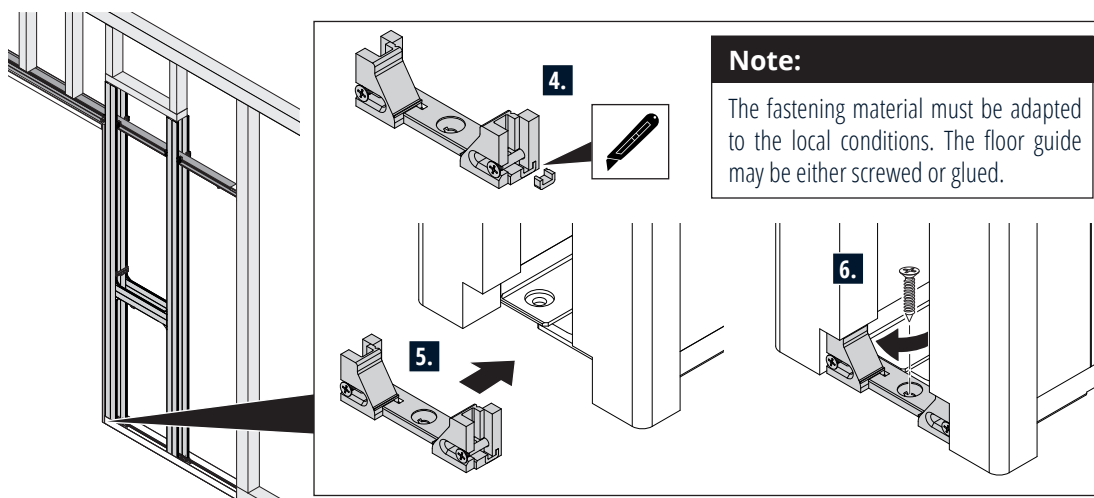
First mount the door leaf, then install the head jamb!



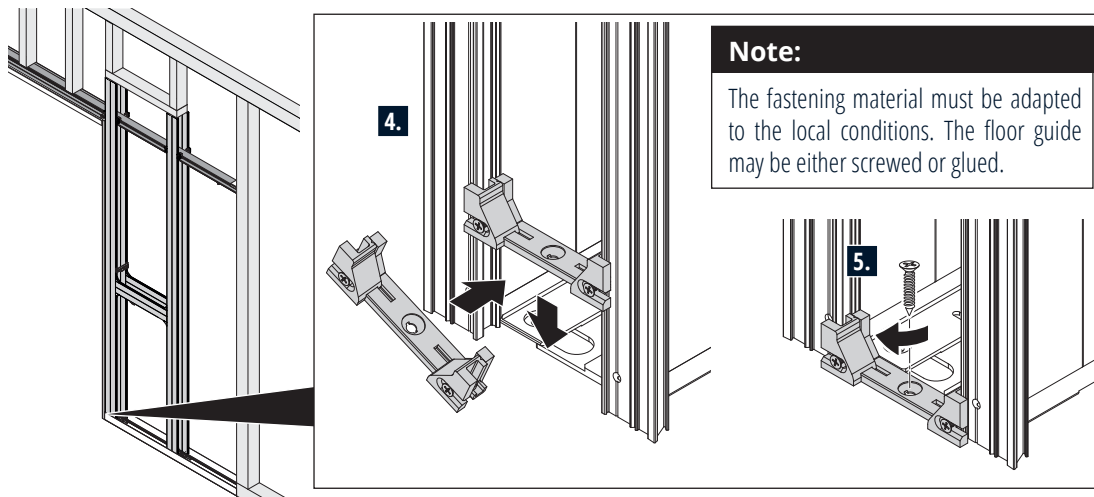
17.



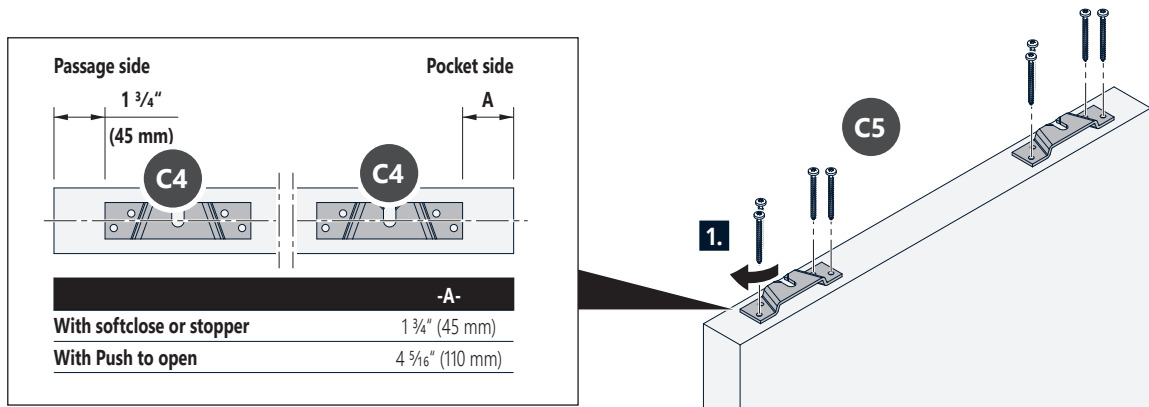
With jamb kit



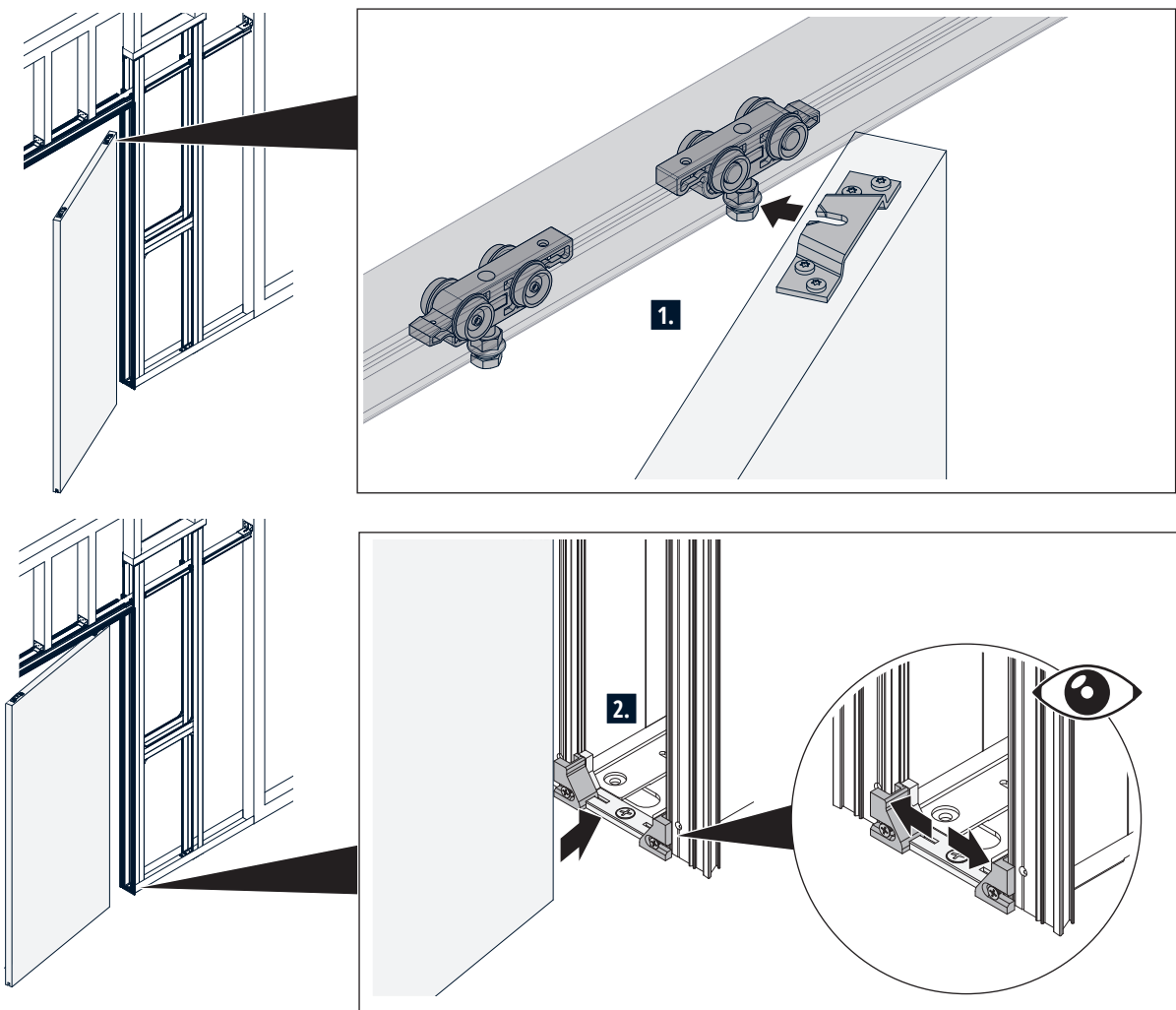
With frameless jamb kit

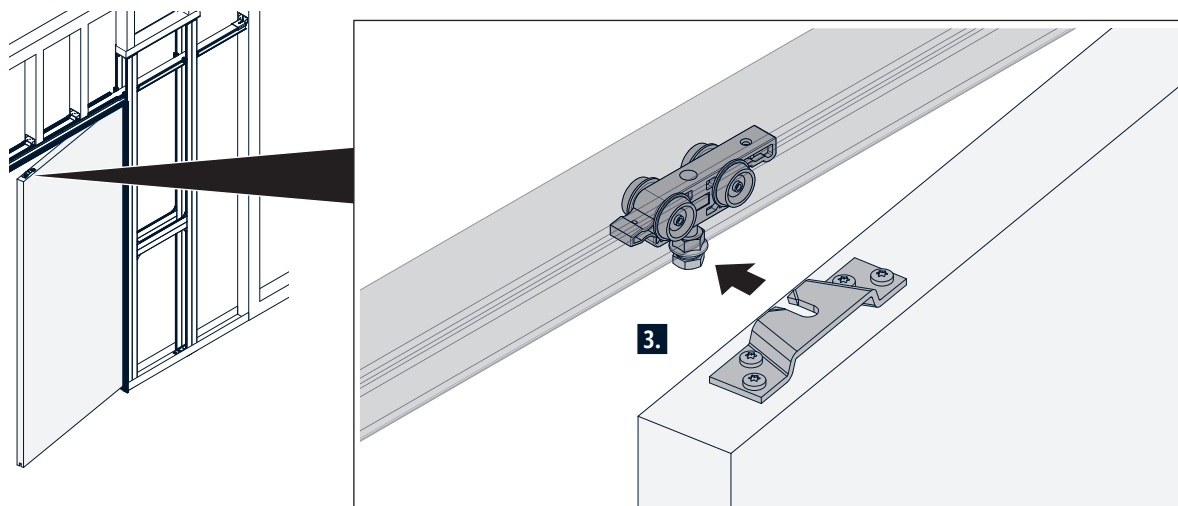


18.

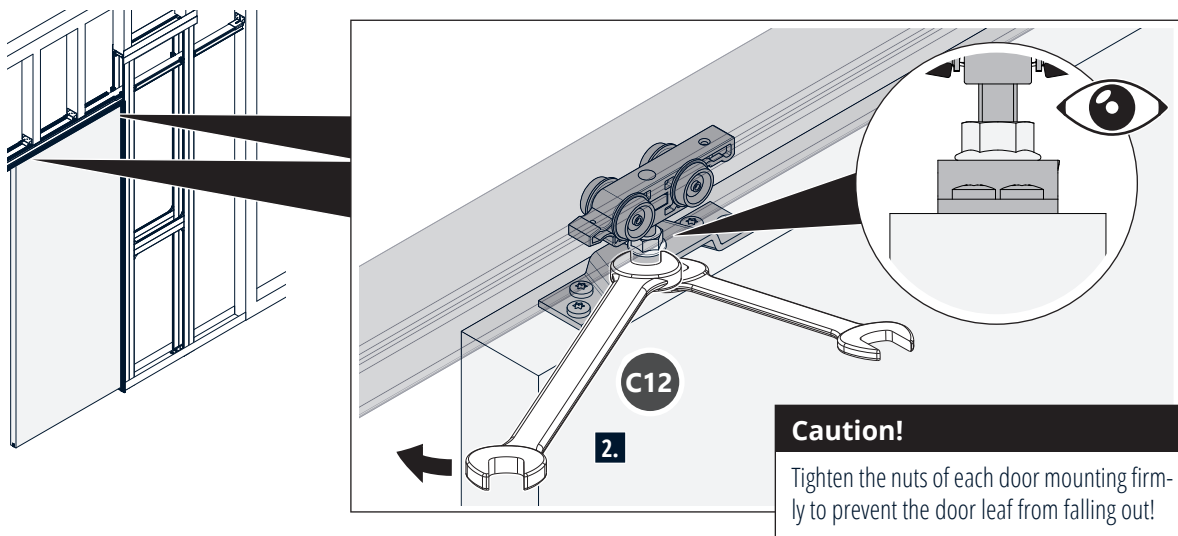
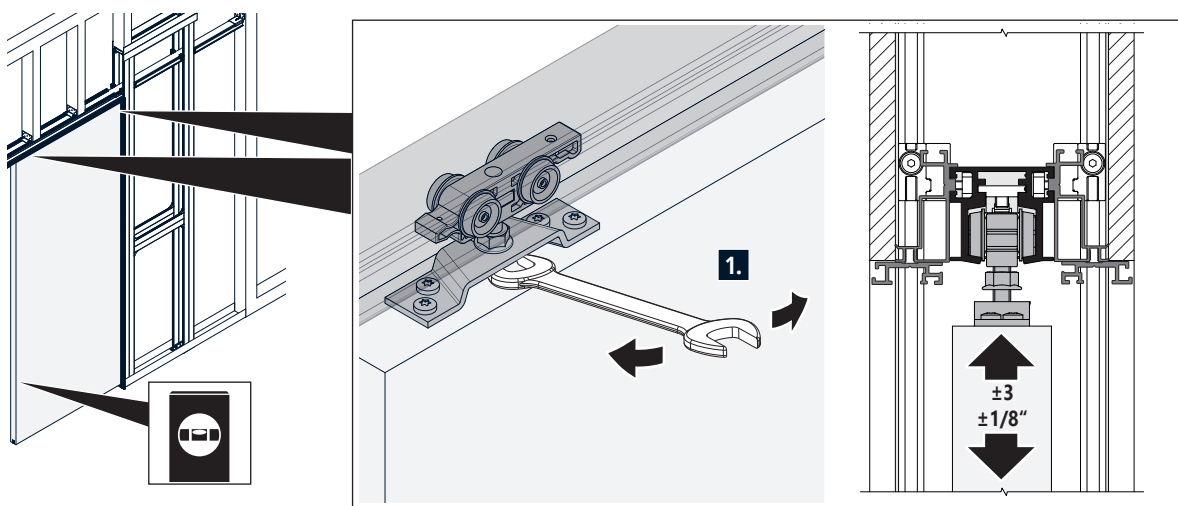


19.

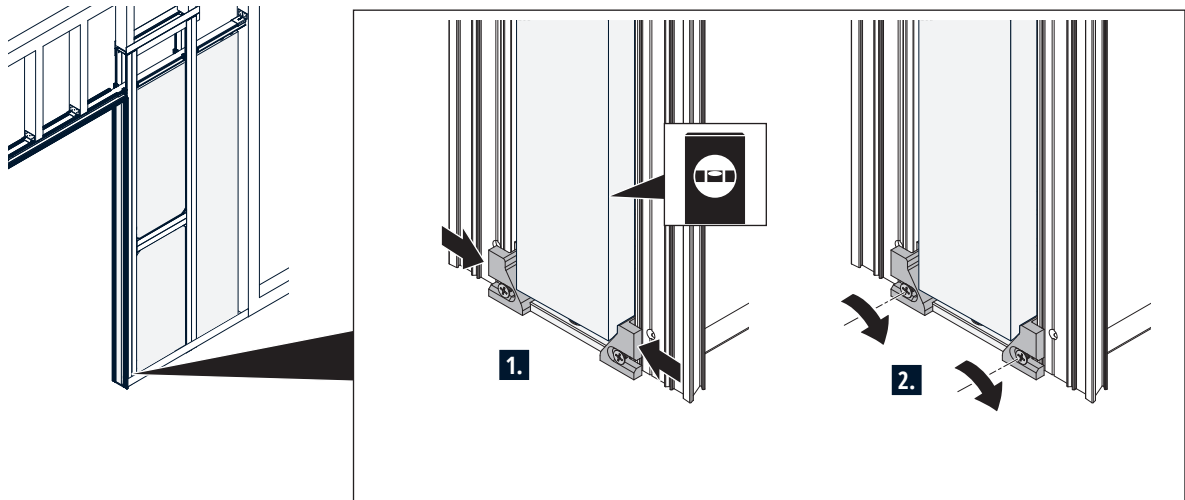




20.



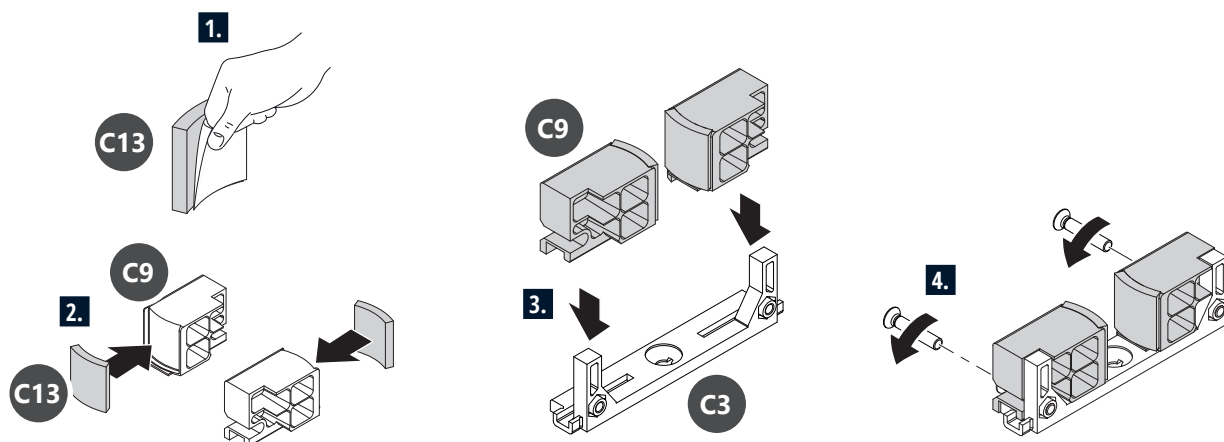
21.



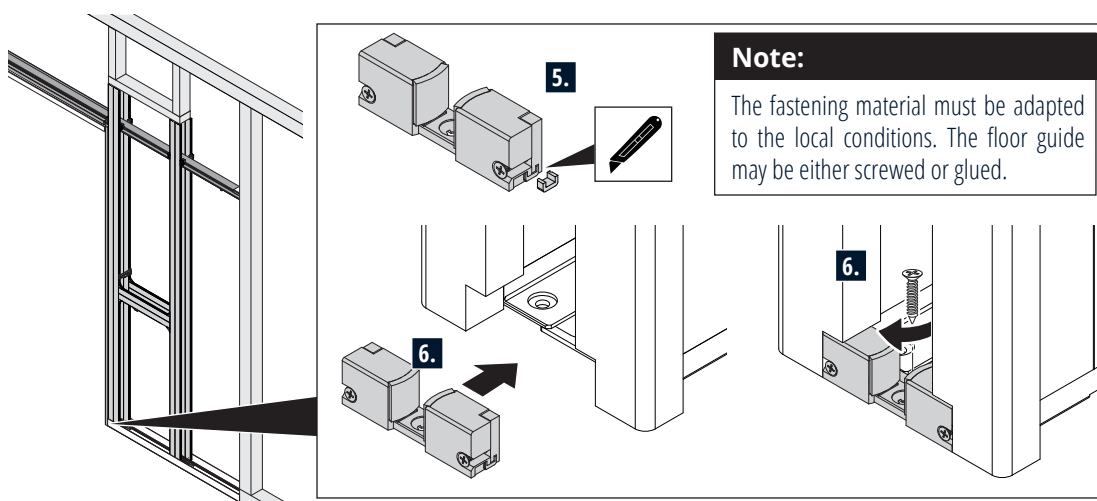
Note:

Go to Step 19 and adjust the endposition of the door stops!

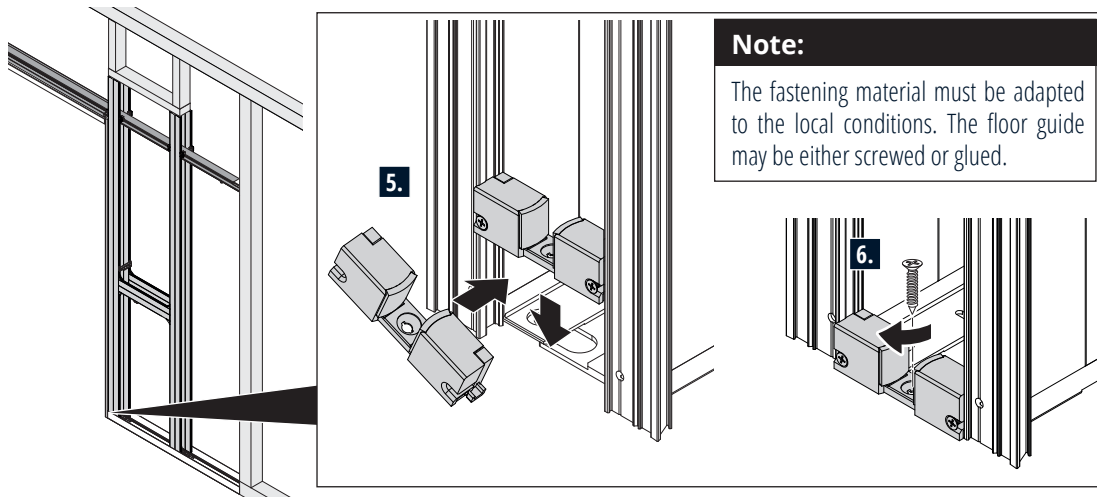
17.



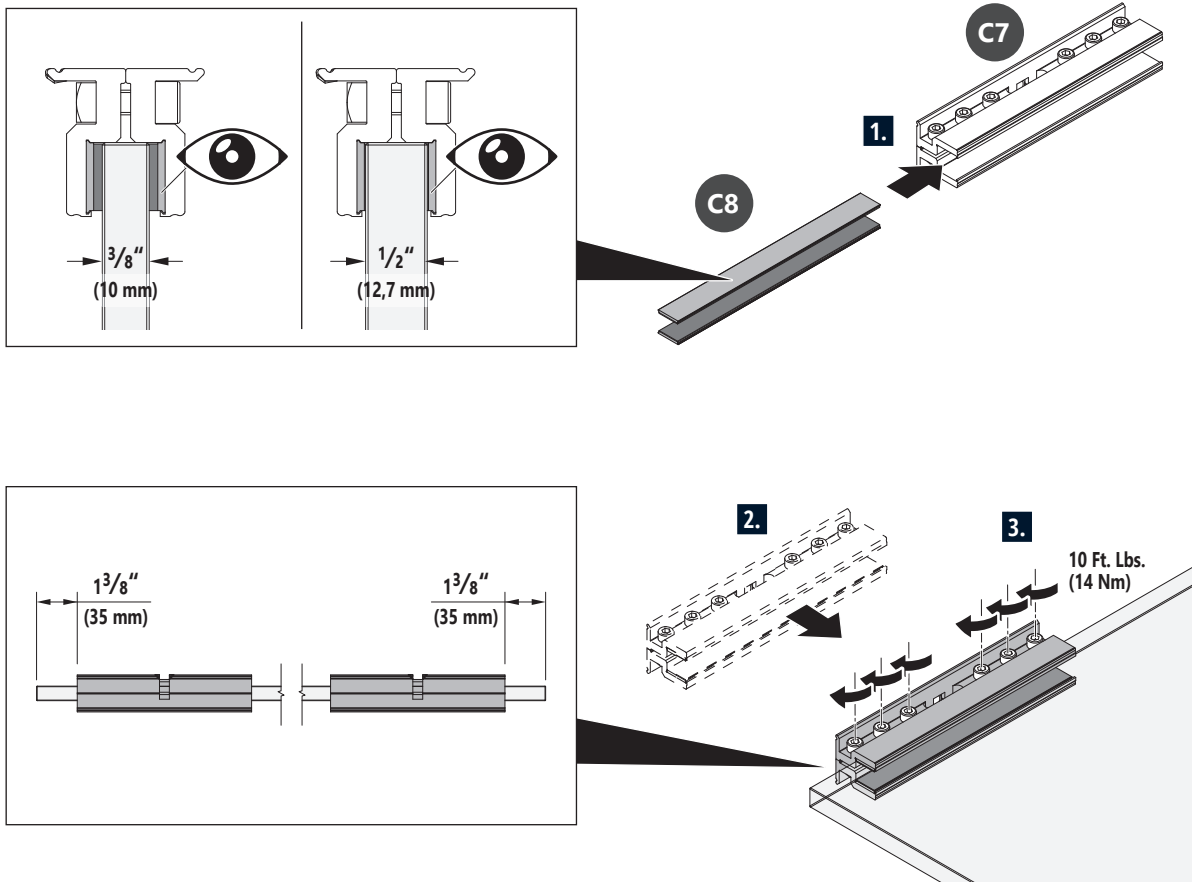
With jamb kit



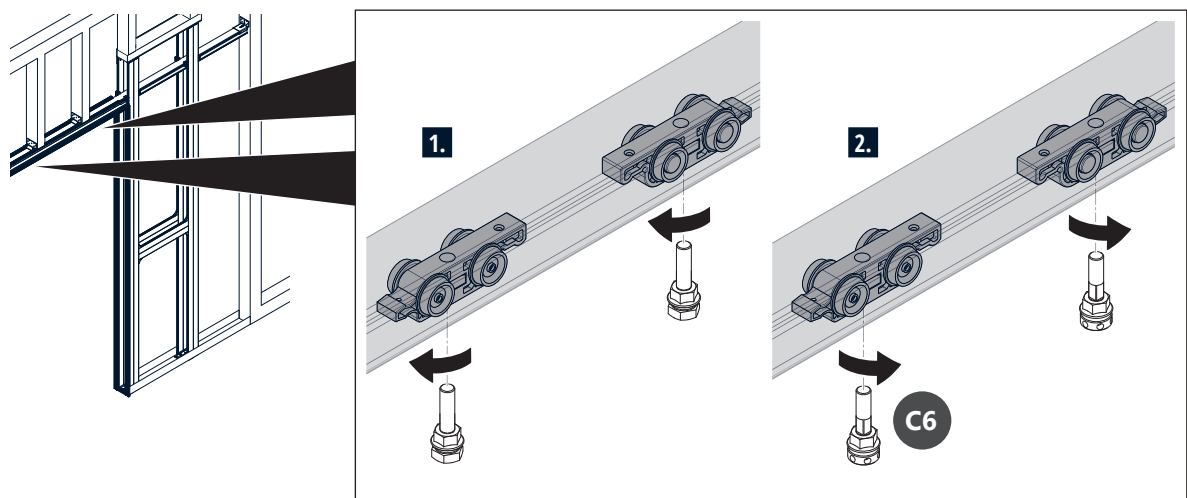
With frameless jamb kit

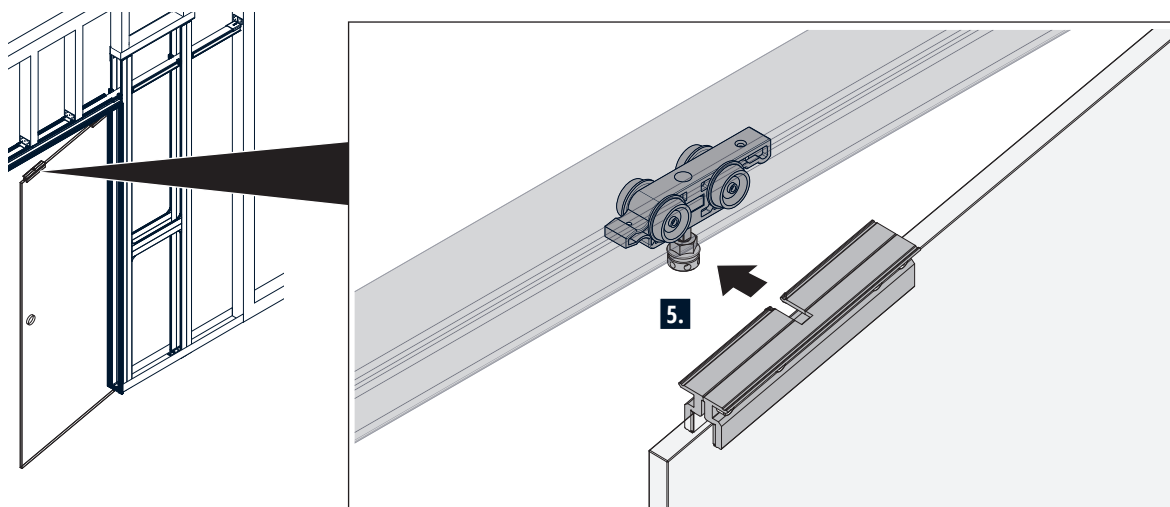
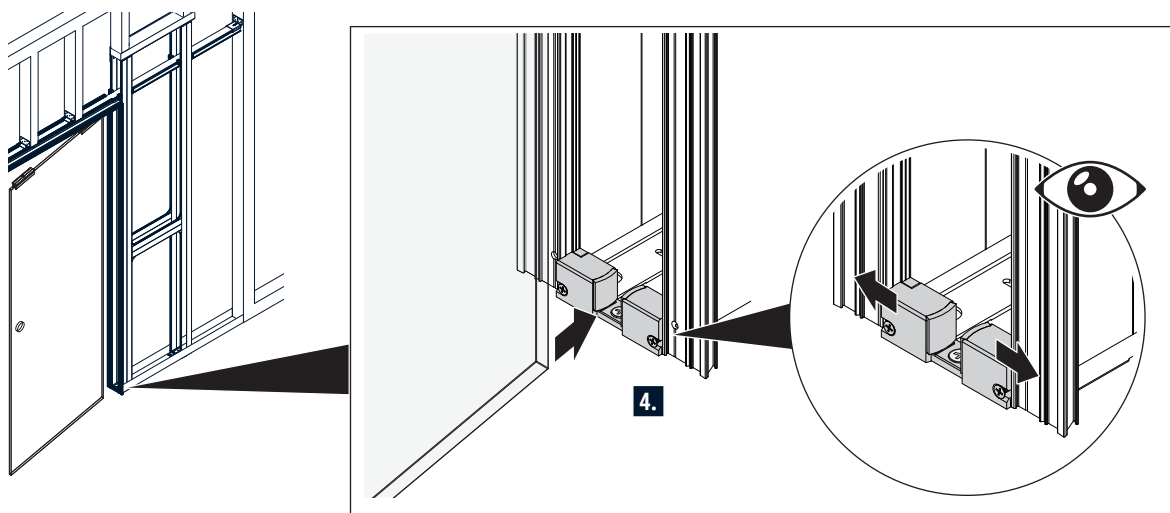
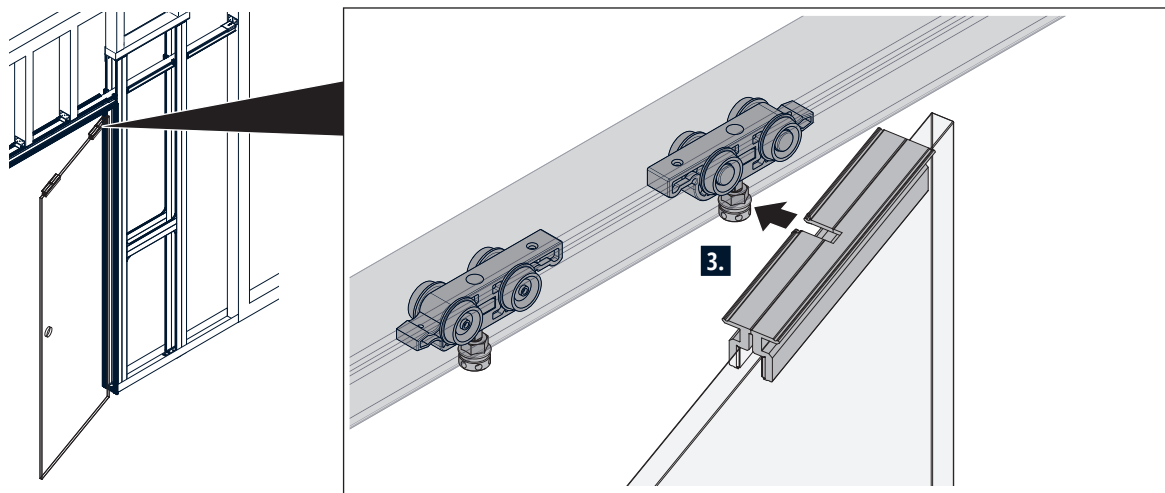


18.

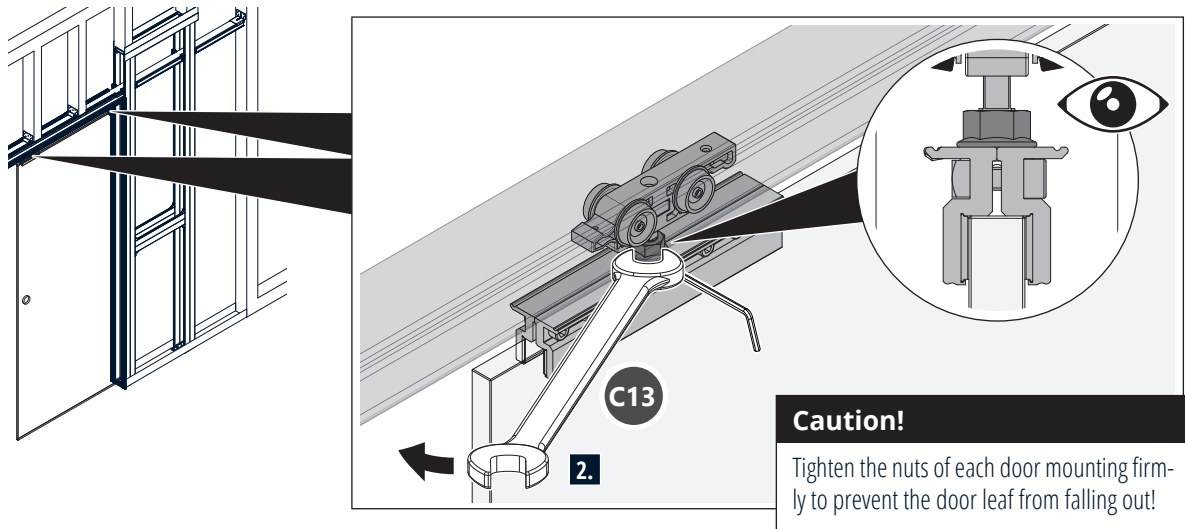
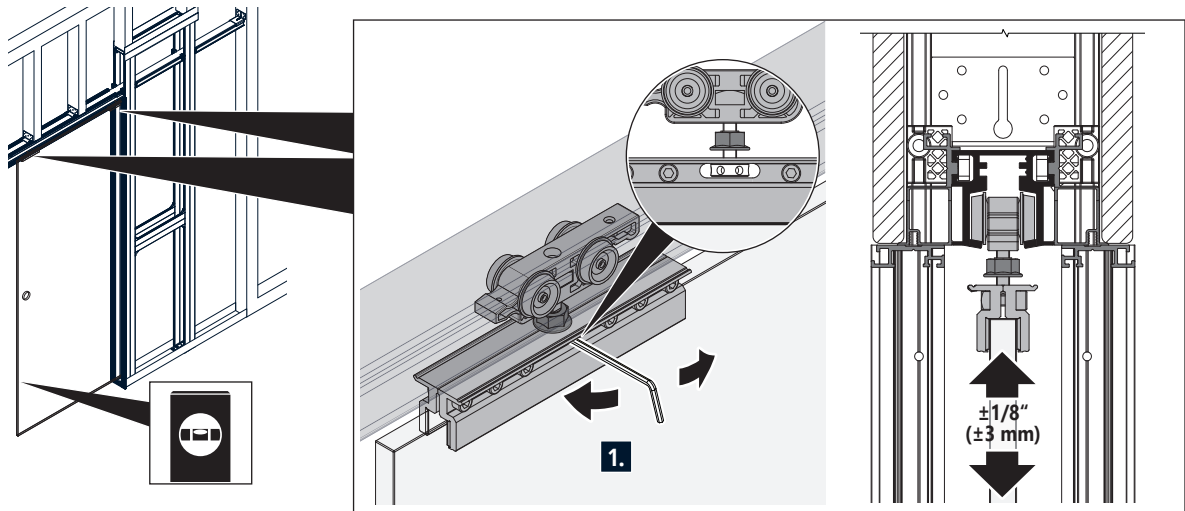


19.

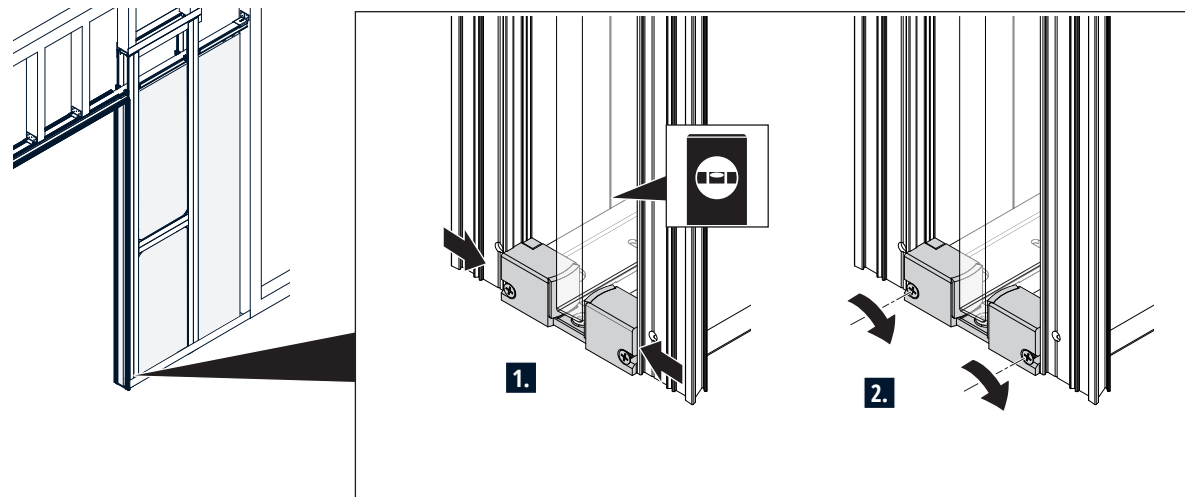




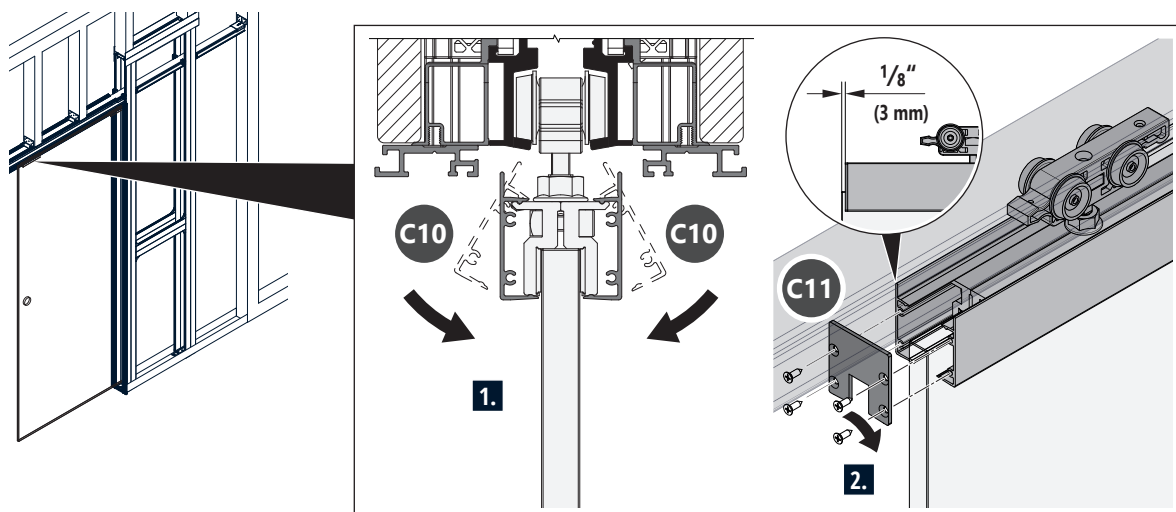
20.



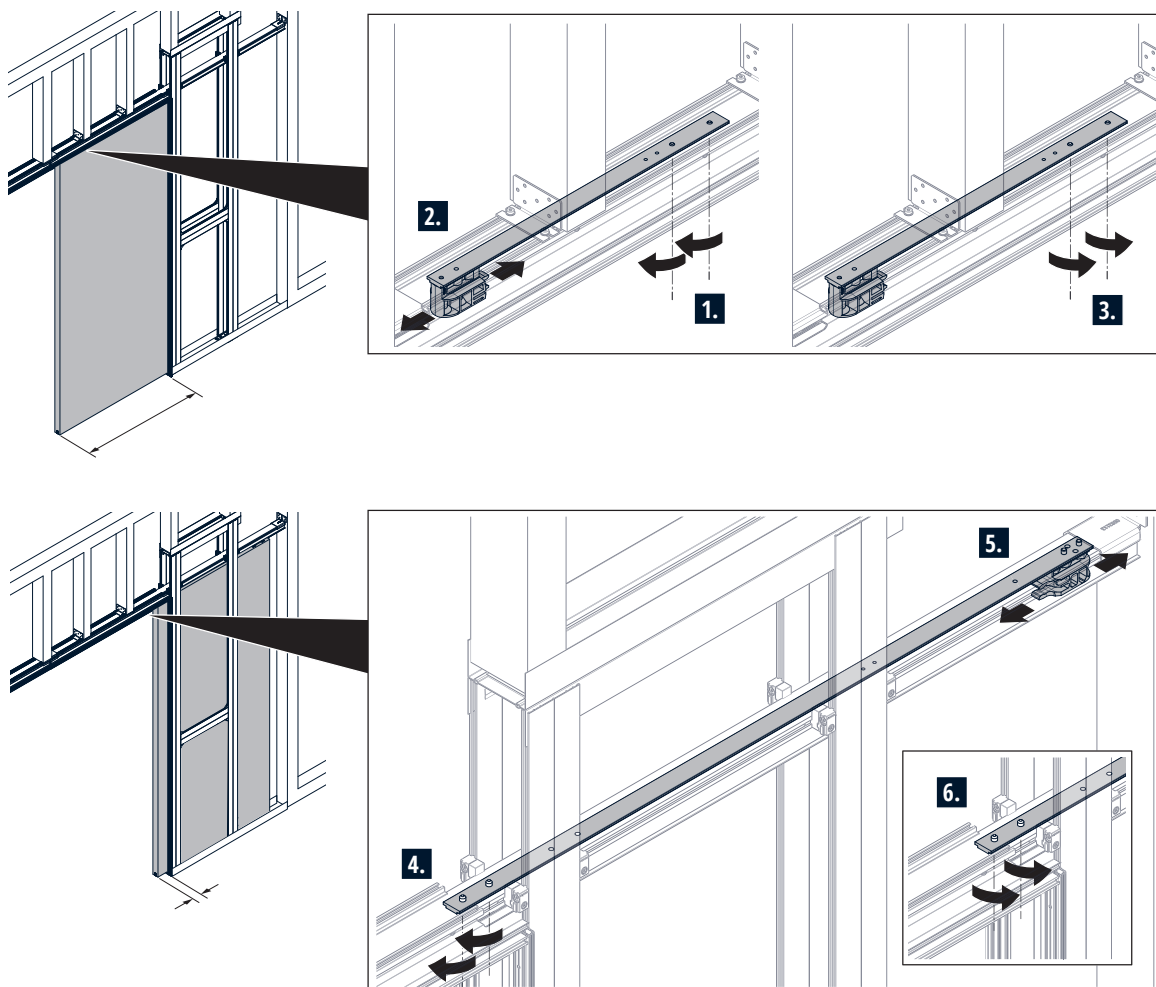
21.



22.



23.





A brand of Bartels USA, Inc.

1901 Tigertail Blvd, Dania Beach, FL 33004

PH: 786 791 8557

E: sales@falkenstein-doors.com