



Installation Instructions

Frameless Jamb kit

Filler profiles for sliding door system
VARIOpocket

Page index

Preparation	S.3
Scope of delivery	S.4
Dimensions for wood doors	S.5
Dimensions for glass doors	S.7
Frameless jamb kit installation	S.9
Valance installation	S.14

Product description

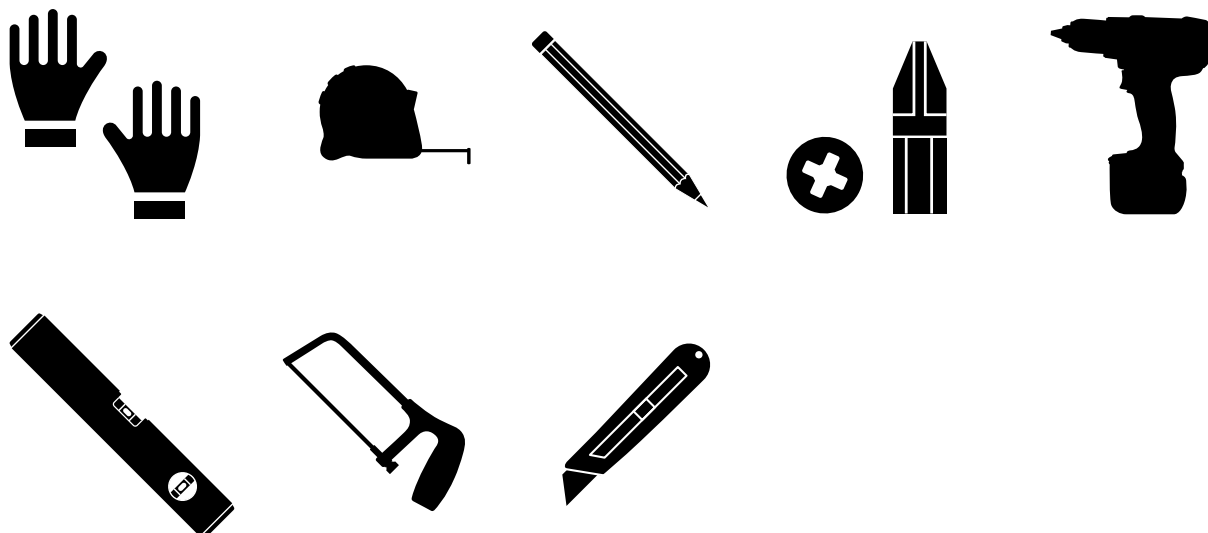
The frameless jamb kit is suitable for the VARIOpocket sliding door system with wood or glass door panels.

Safety notes

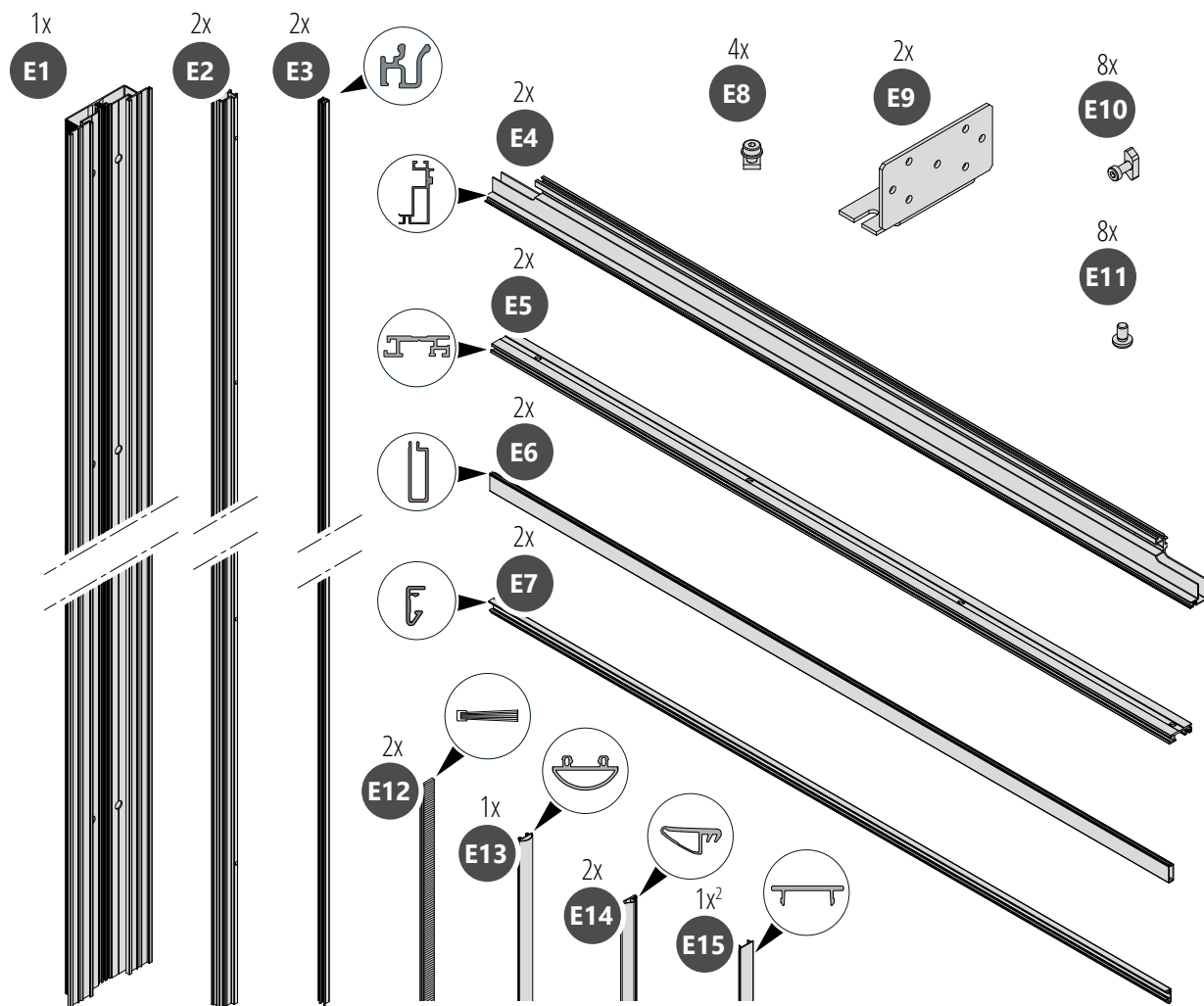
Before assembly, please read the assembly instructions carefully. In case of difficulties in understanding, contact the customer service or your supplier. In order to assemble the purchased product properly, please use the tools indicated on the following page. Since some sheets may have sharp edges, also be sure to protect your hands and work surfaces

from cuts or scratches. During assembly, always ensure that you work ergonomically and only assemble alone if you can rule out any risk to your health or other persons. All components were checked for integrity before delivery. No liability is accepted for damage caused by improper assembly or transport.

Required tools



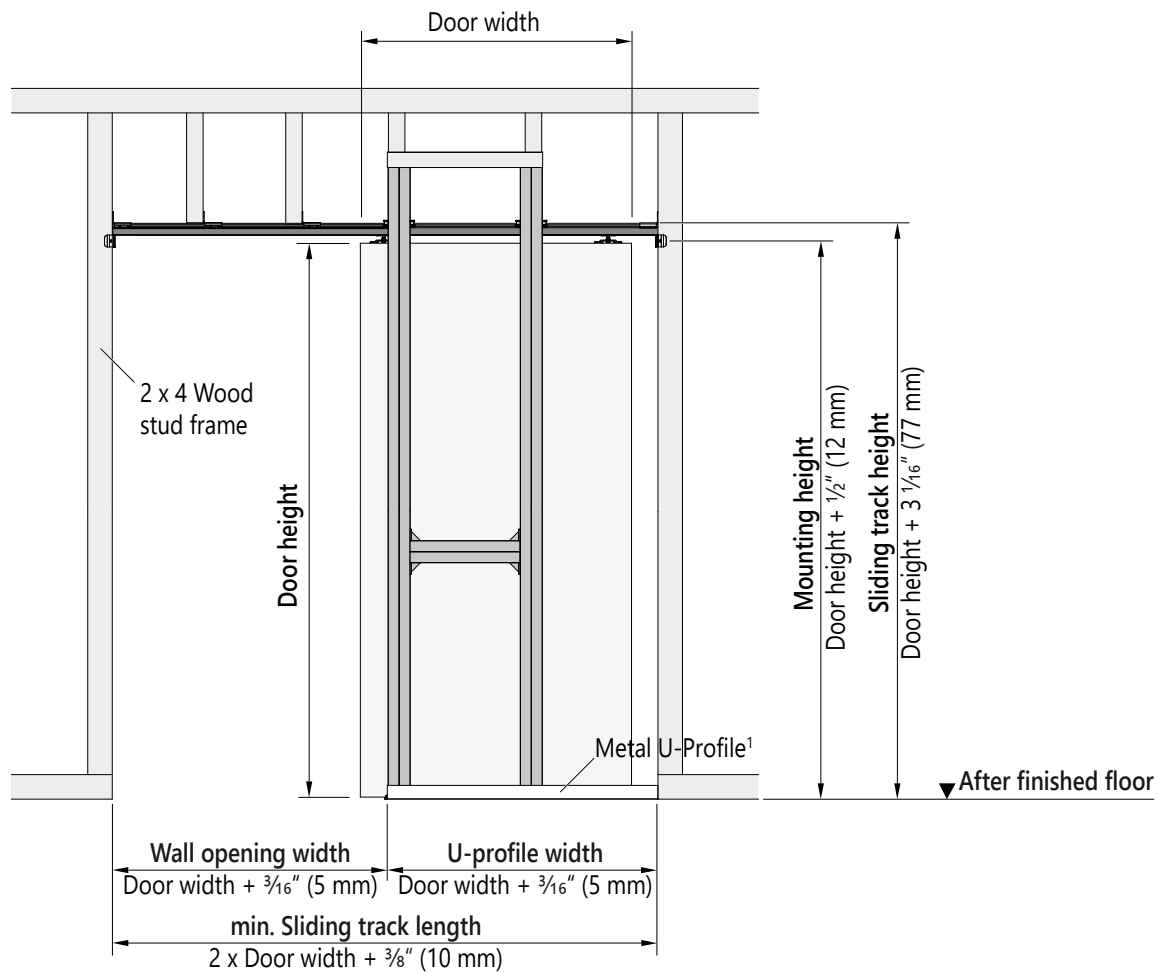
Frameless Jamb kit



²Optional use for wood doors instead of component E13.

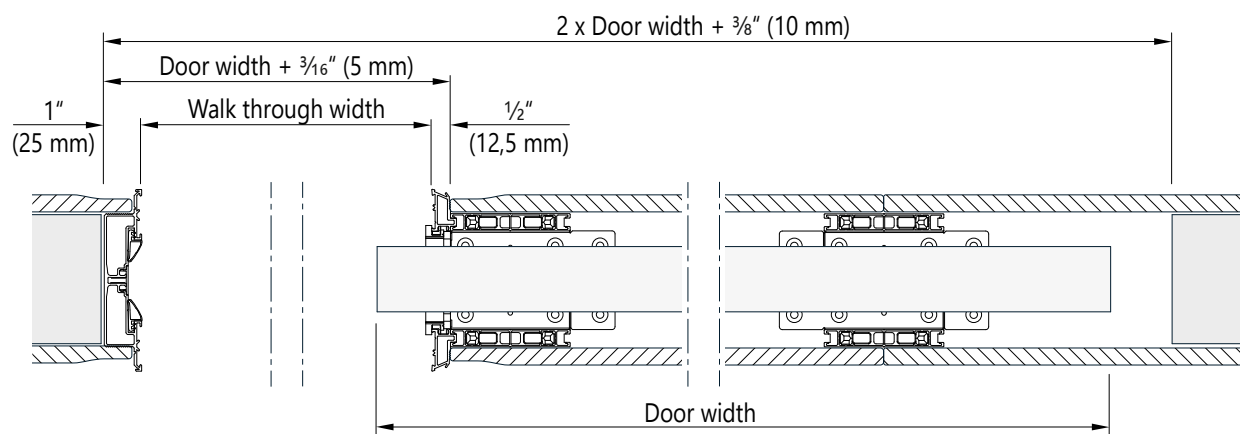
Front view

One sided with Wood door leaf



Top view

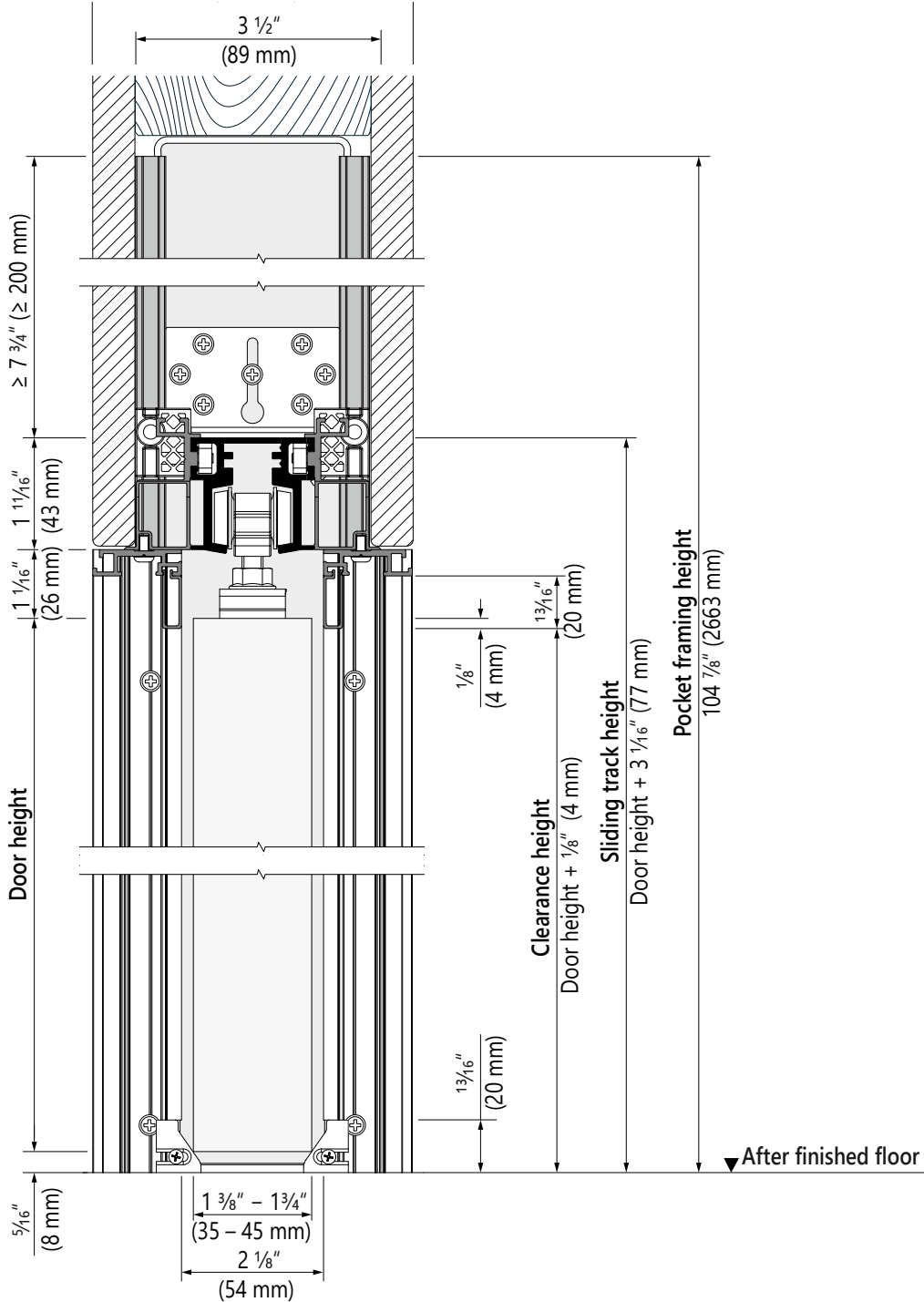
One sided with Wood door leaf



¹ The use is recommended but not needed.

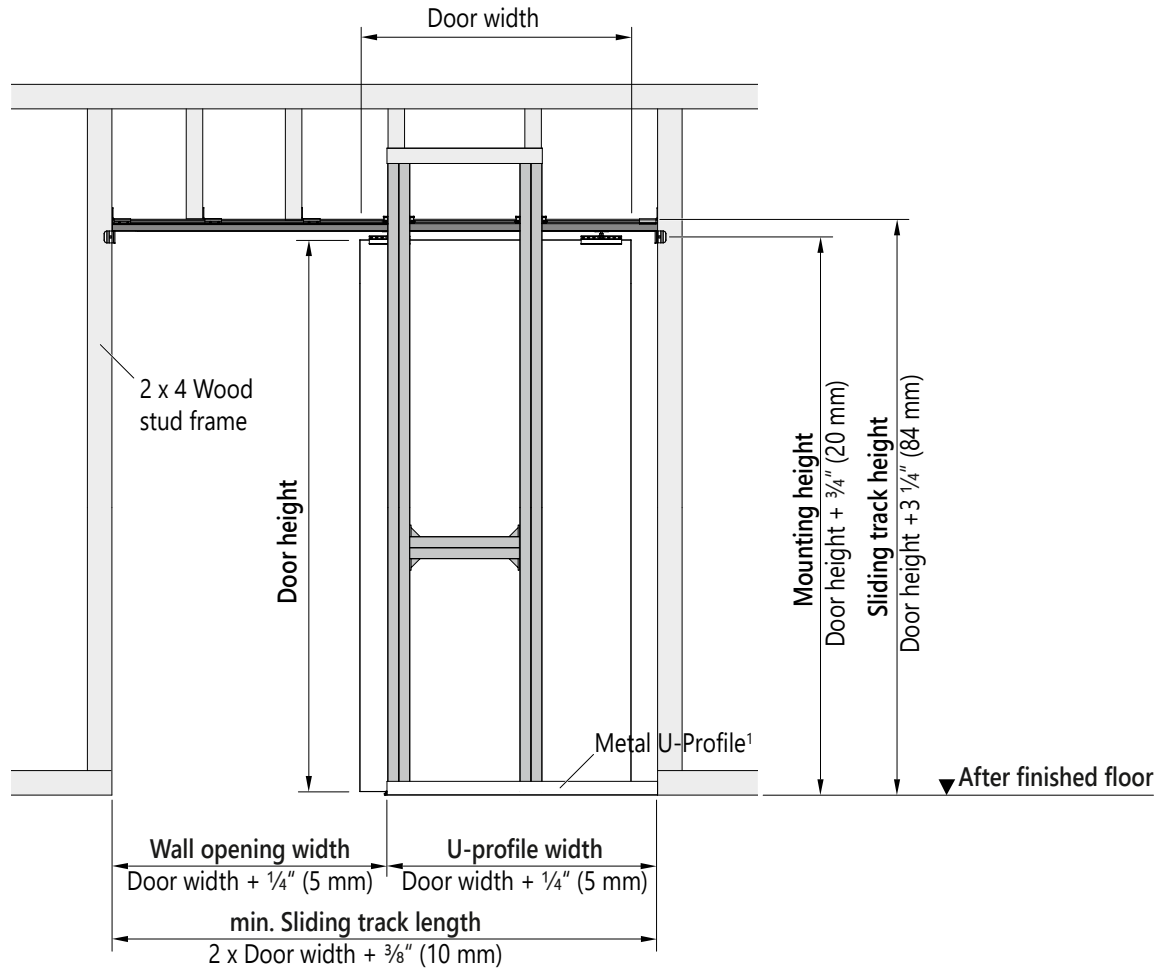
Side view

Wood door leaf with Frameless Jamb kit



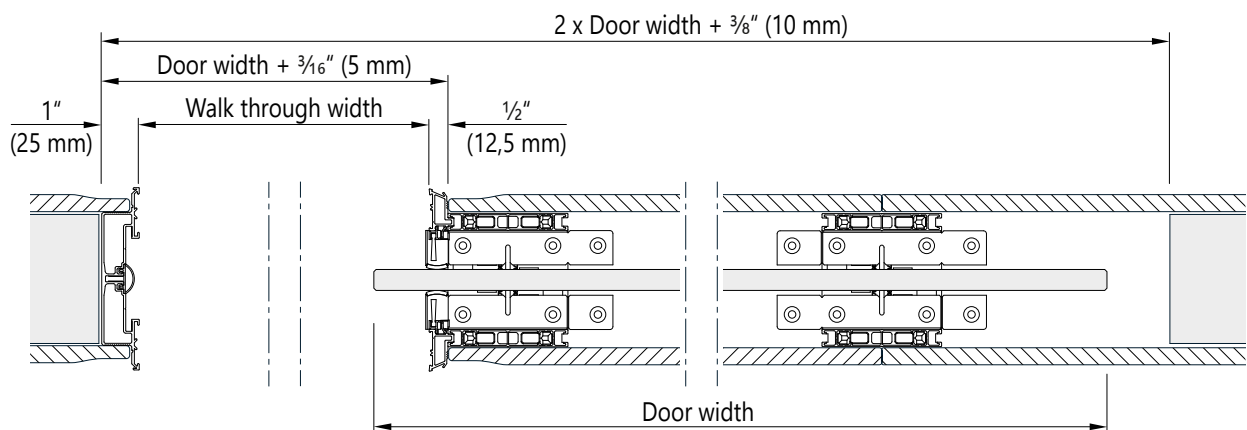
Front view

One sided with Glass door leaf



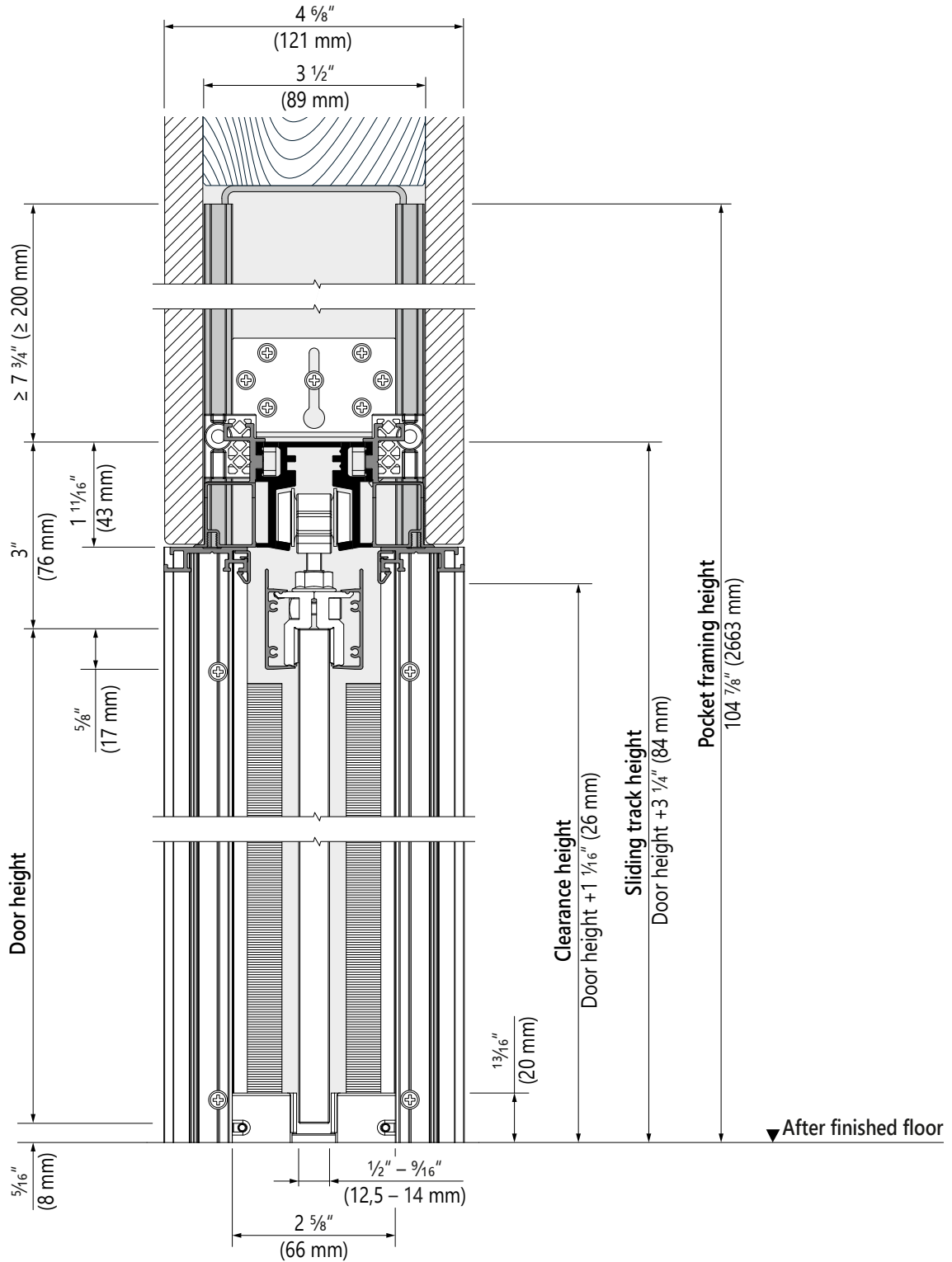
Top view

One sided with Glass door leaf

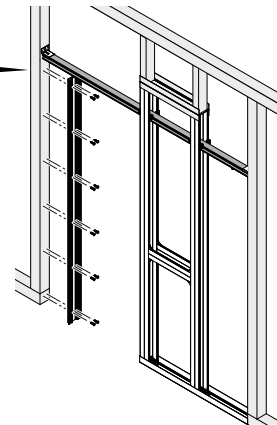
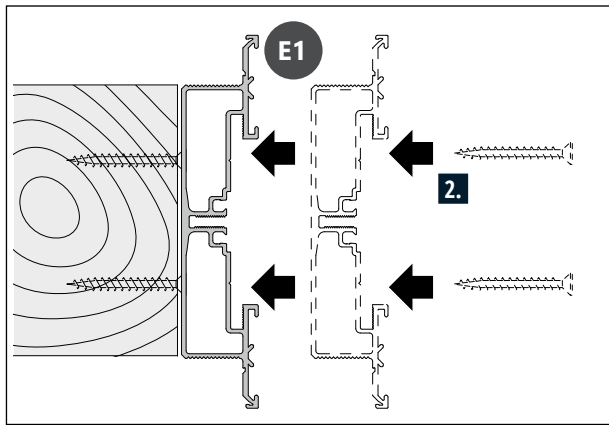
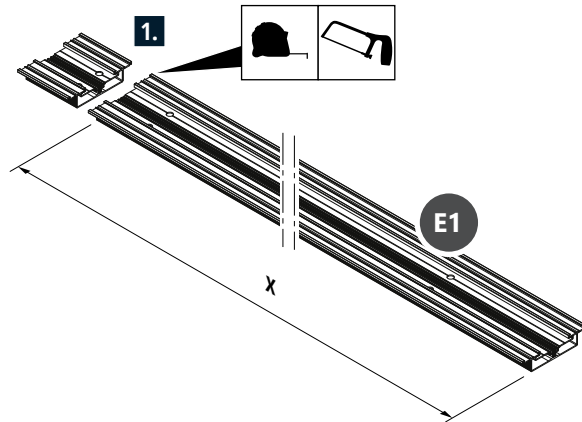
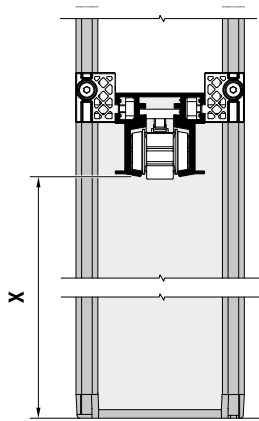


Side view

Glass door leaf with Frameless Jamb kit

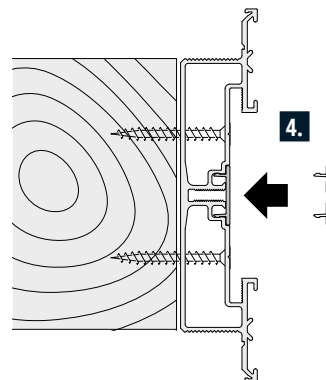
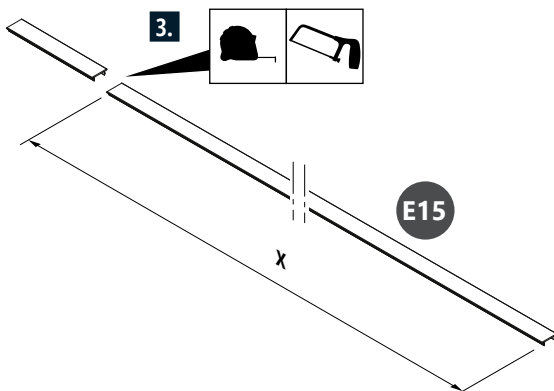


1.

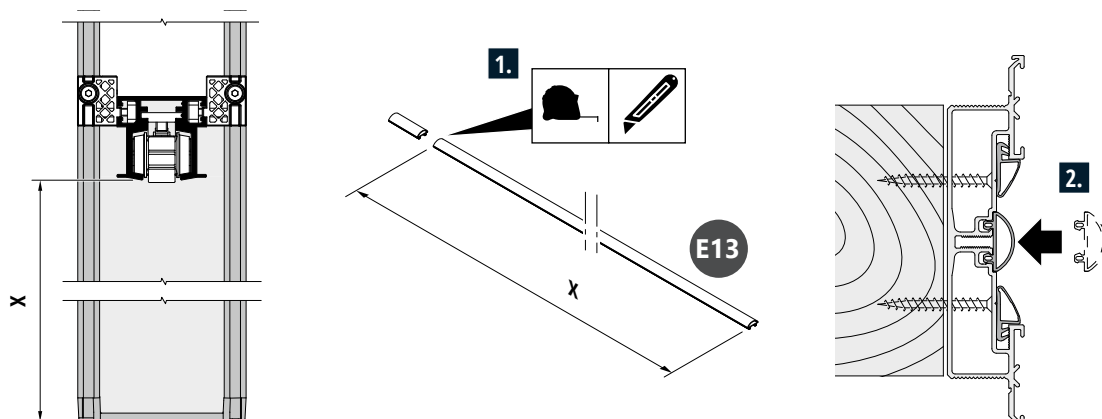
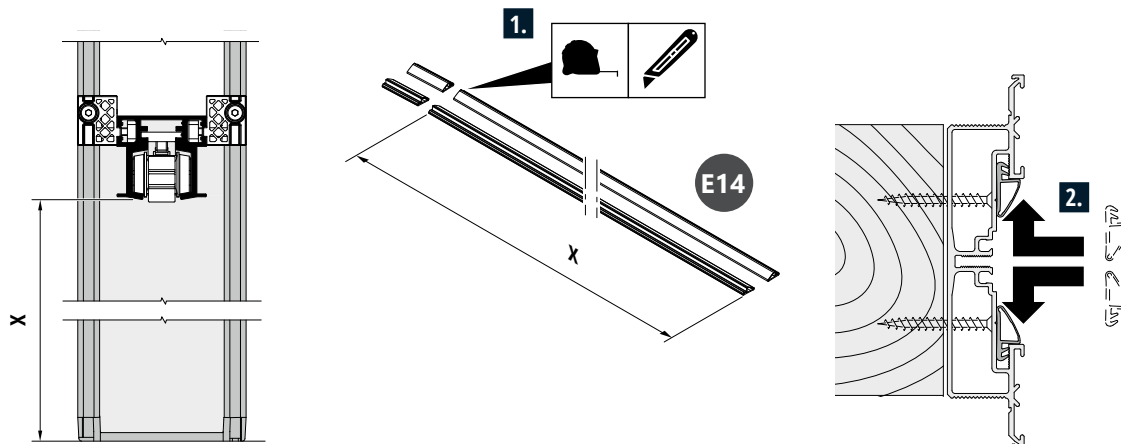


Note:

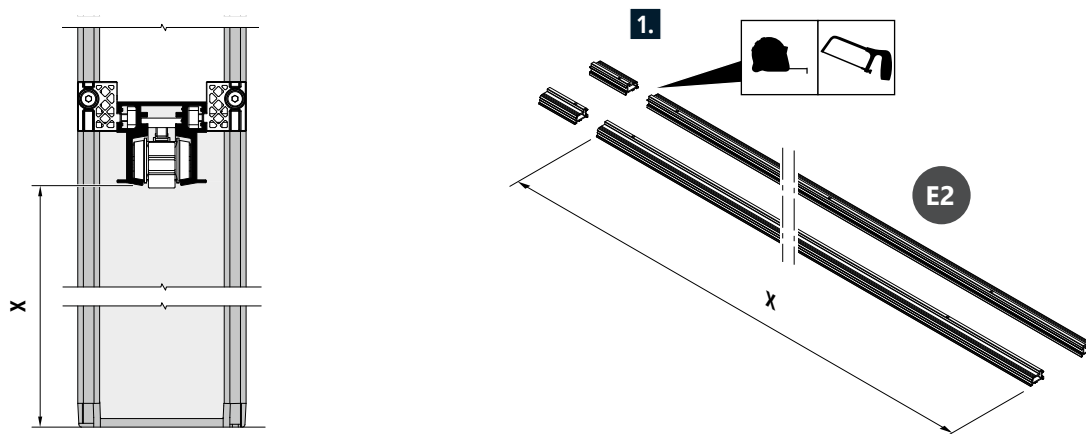
The steps 1.3 and 1.4 are only optional when using wood doors. Otherwise, go to Step 2!

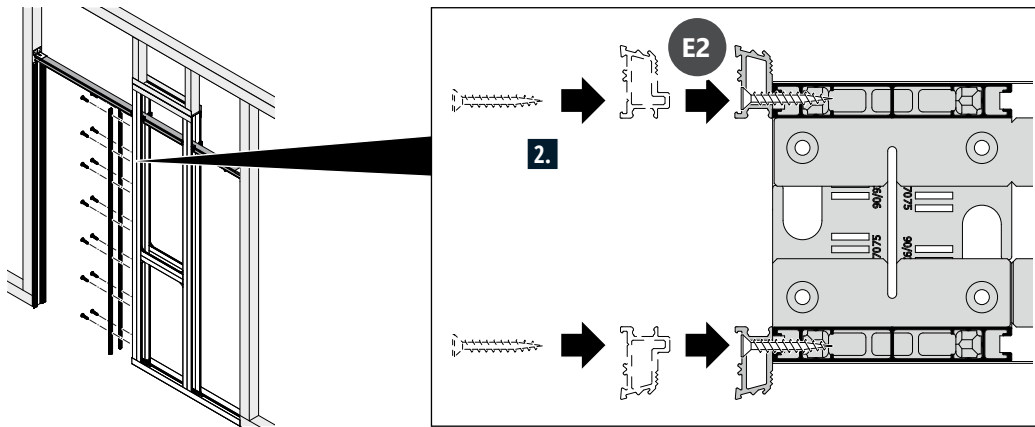


2.

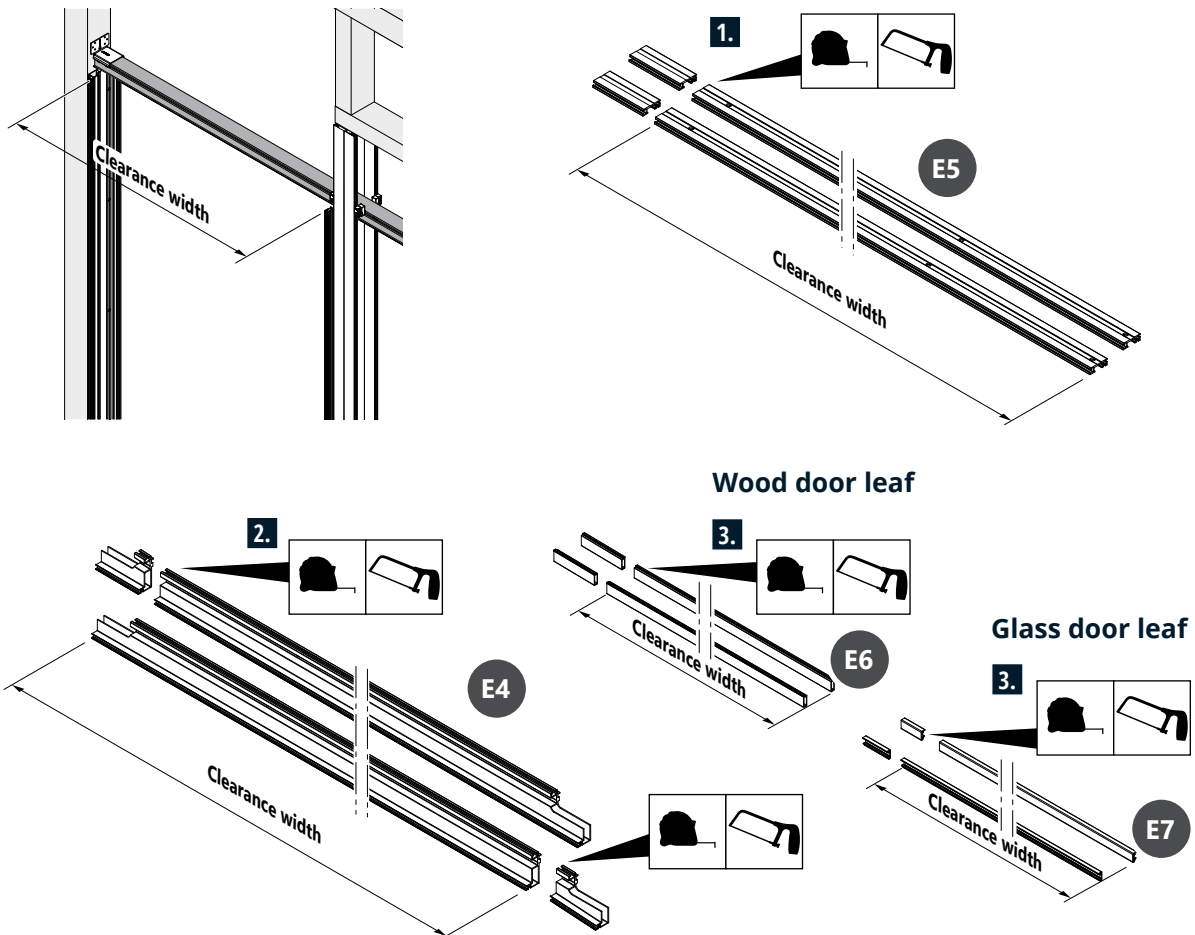


3.

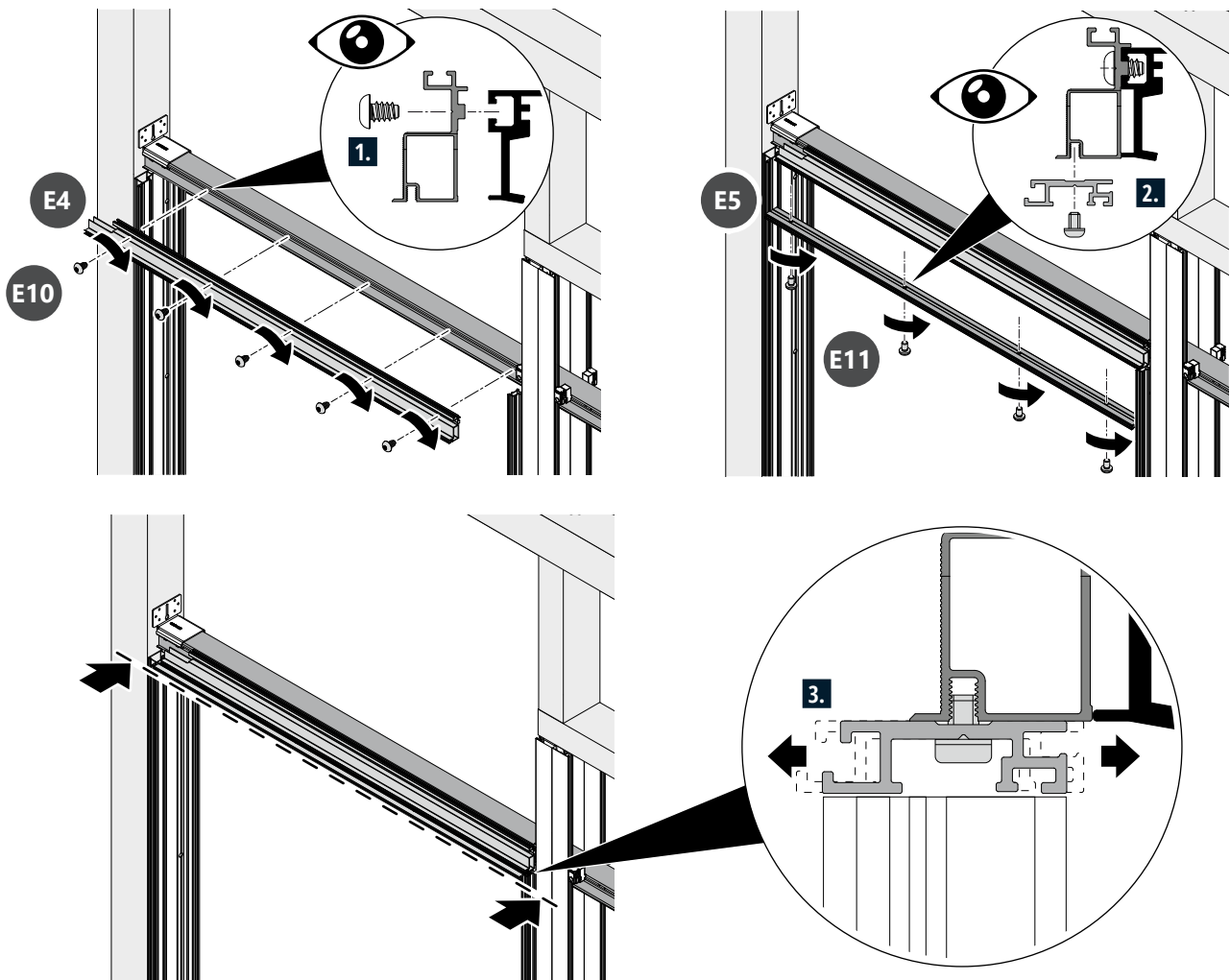




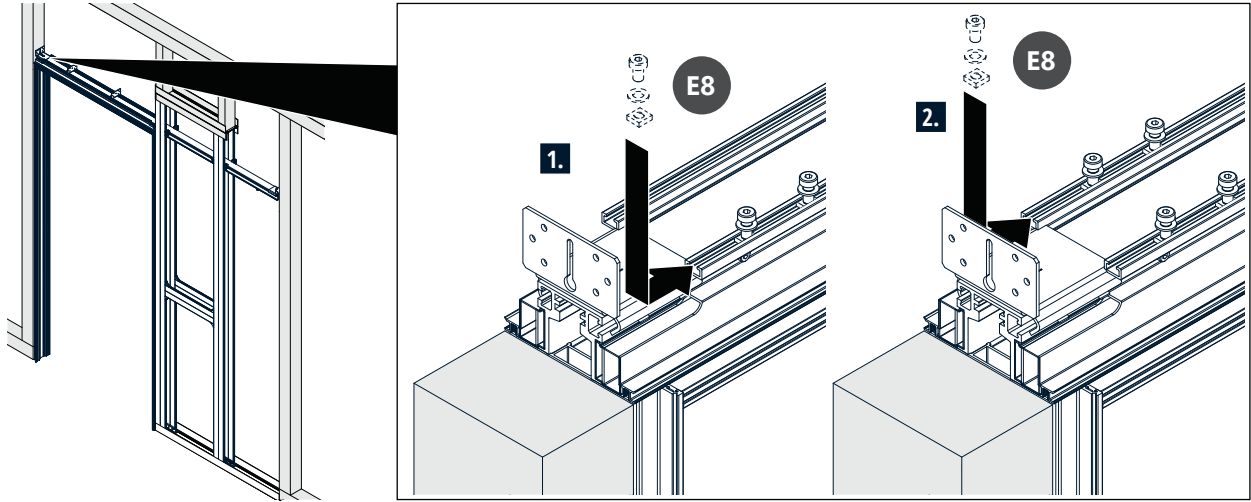
4.



5.

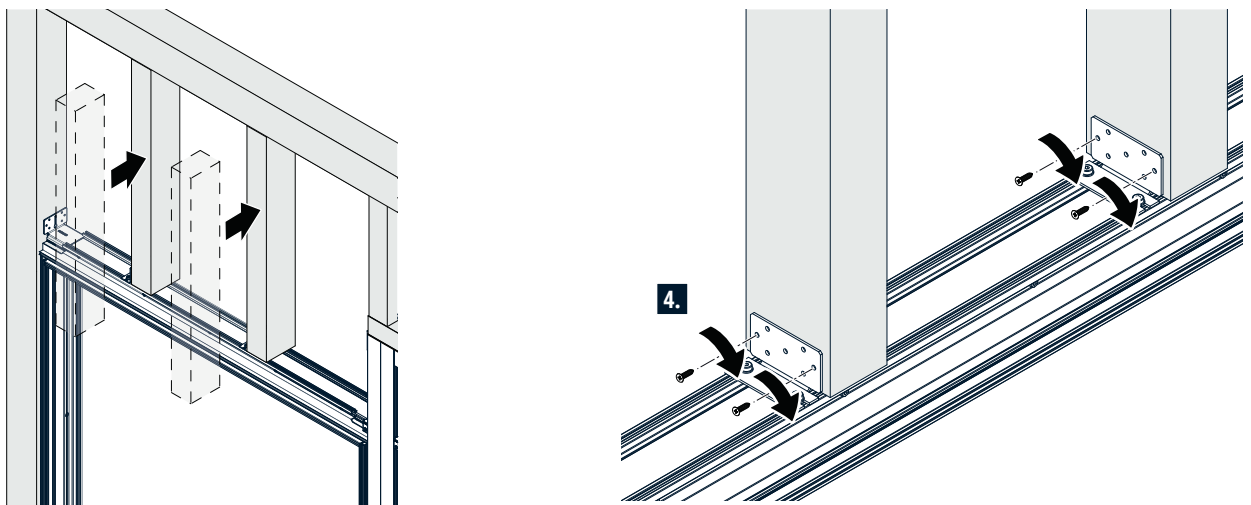
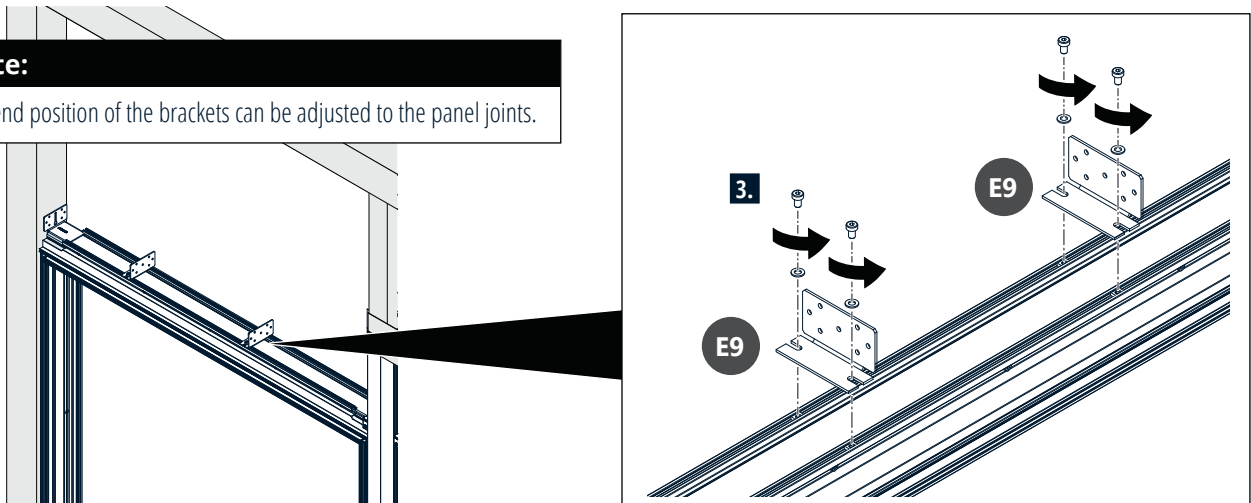


6.



Note:

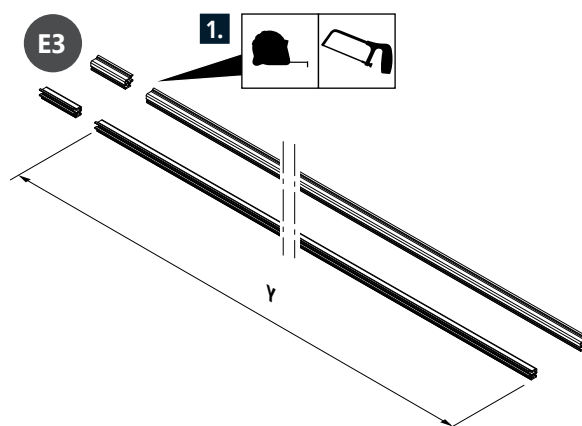
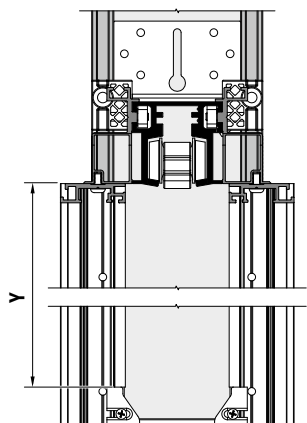
The end position of the brackets can be adjusted to the panel joints.



7.

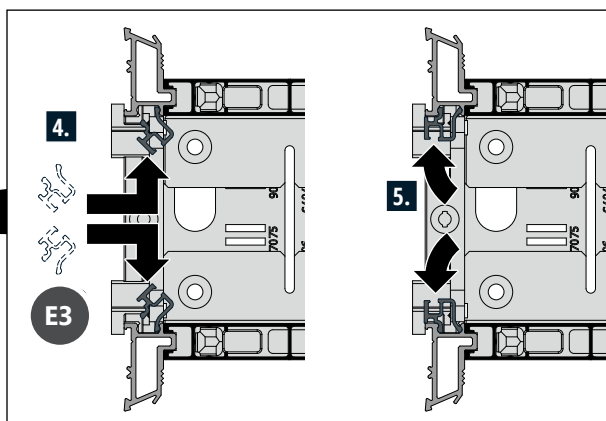
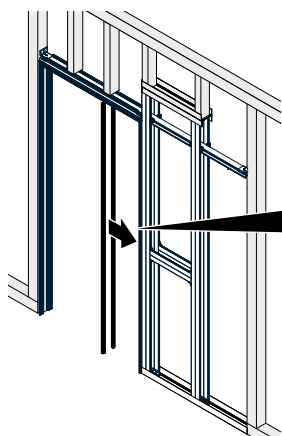
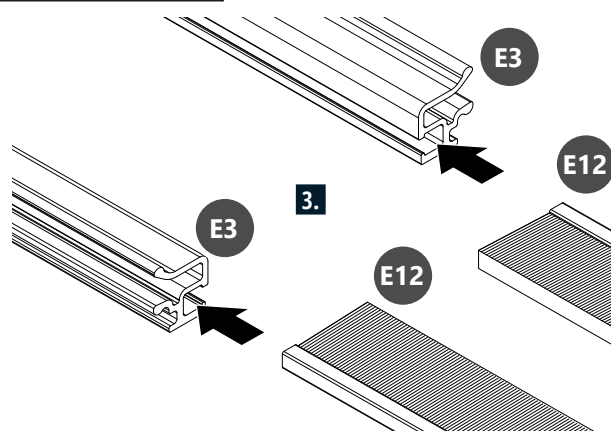
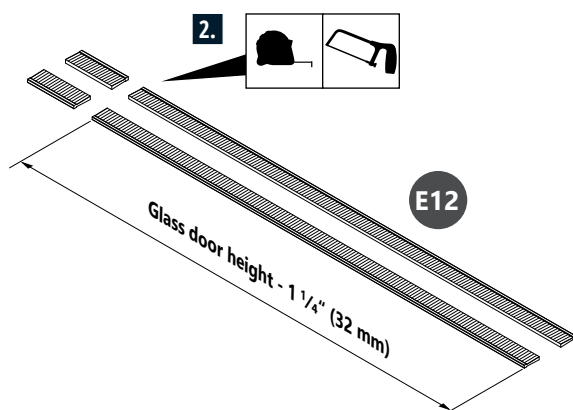
Note:

Mount the floor guide before attaching the valance!



Note:

The steps 7.2 and 7.3 are only for glass doors. When using wood doors, continue with step 7.4!

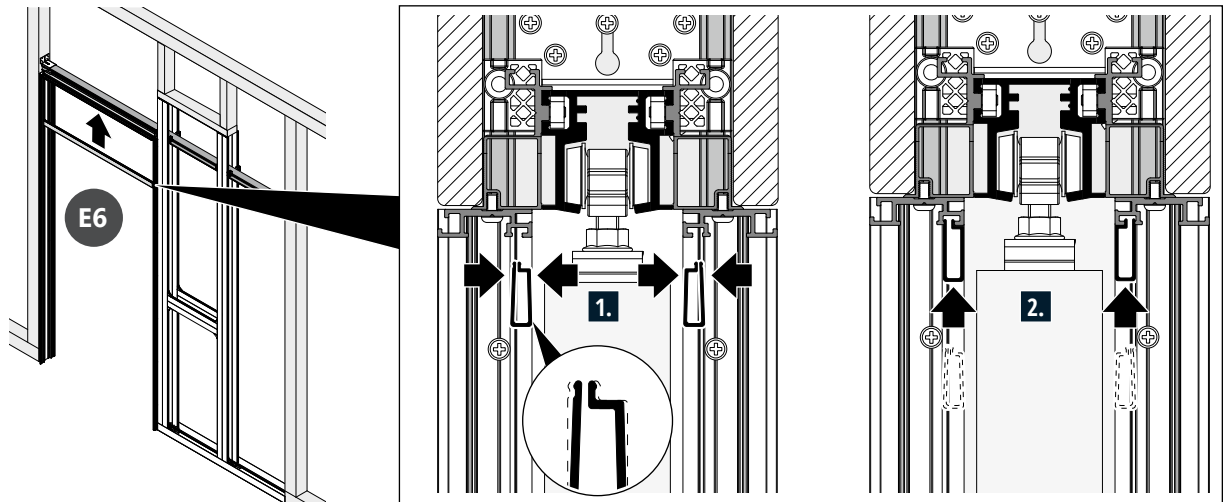


8.

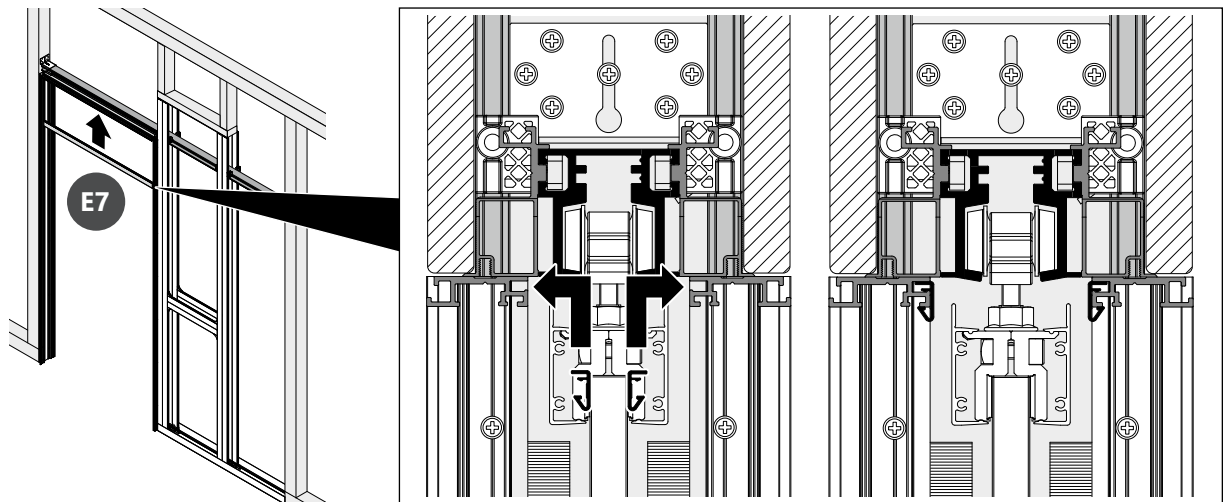
Note:

Mount the door leaf before attaching the maintenance valance!

Wood door leaf



Glass door leaf





A brand of Bartels USA, Inc.

1901 Tigertail Blvd, Dania Beach, FL 33004

PH: 786 791 8557

E: sales@falkenstein-doors.com