

Installation Instructions

VARIOpocket Sync Comfort accessory

For two wood doors
up to 176 lb door weight each

Product description

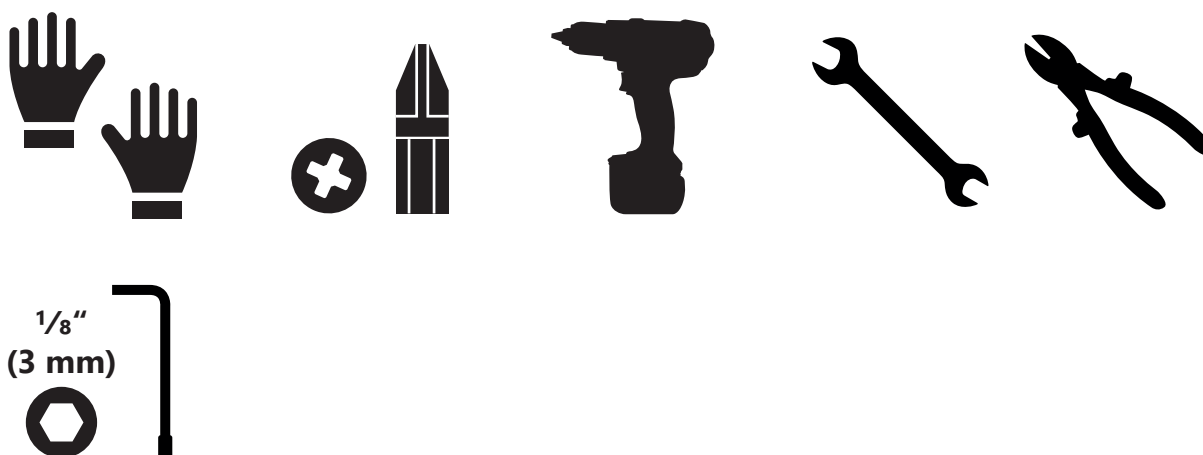
The push to open set is for use in the sliding door system VARIOpocket. It is suitable for wood or glass doors up to 176 lb (80 kg) door panel weight.

Safety notes

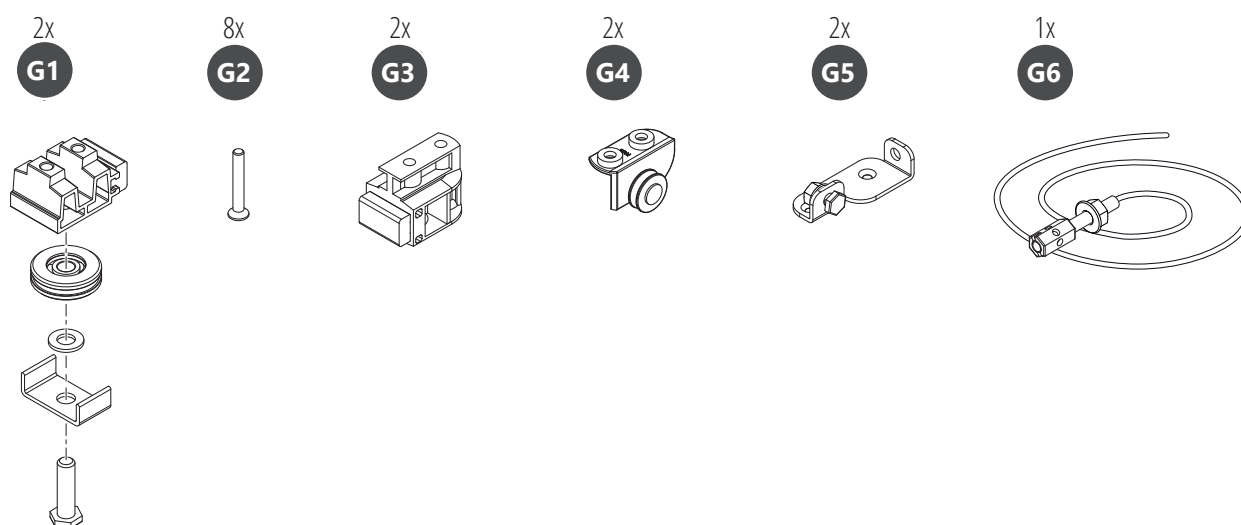
Before assembly, please read the assembly instructions carefully. In case of difficulties in understanding, contact the customer service or your supplier. In order to assemble the purchased product properly, please use the tools indicated on the following page. Since some sheets may have sharp edges, also be sure to protect your hands and work surfaces

from cuts or scratches. During assembly, always ensure that you work ergonomically and only assemble alone if you can rule out any risk to your health or other persons. All components were checked for integrity before delivery. No liability is accepted for damage caused by improper assembly or transport.

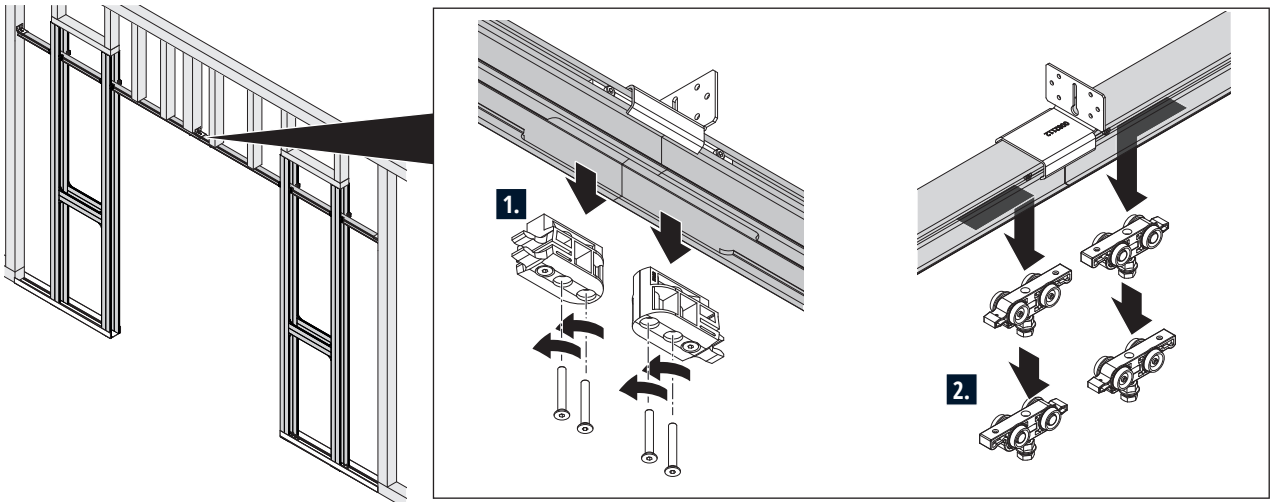
Required tools



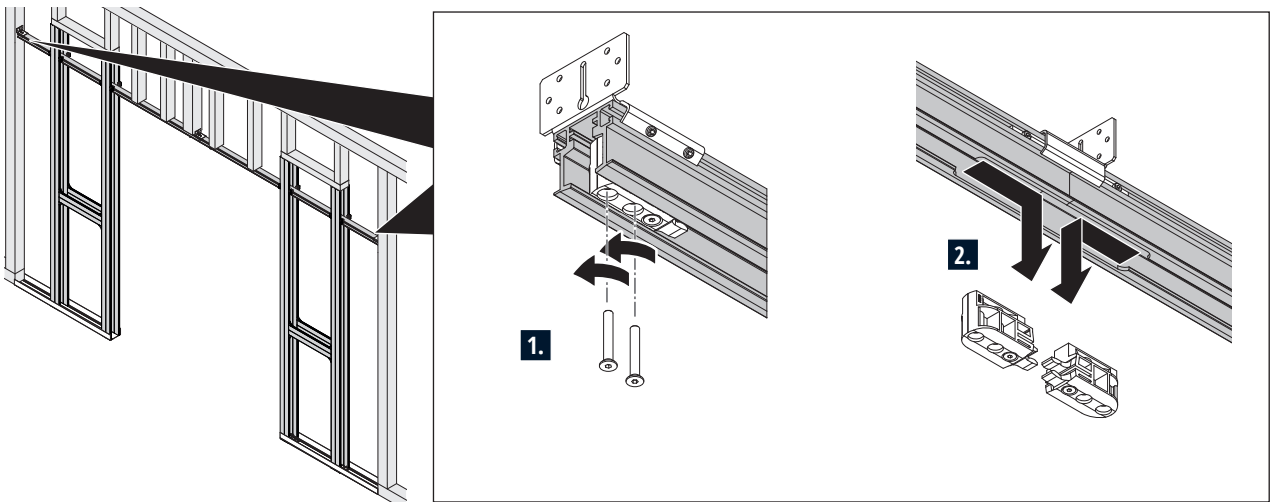
Scope of delivery



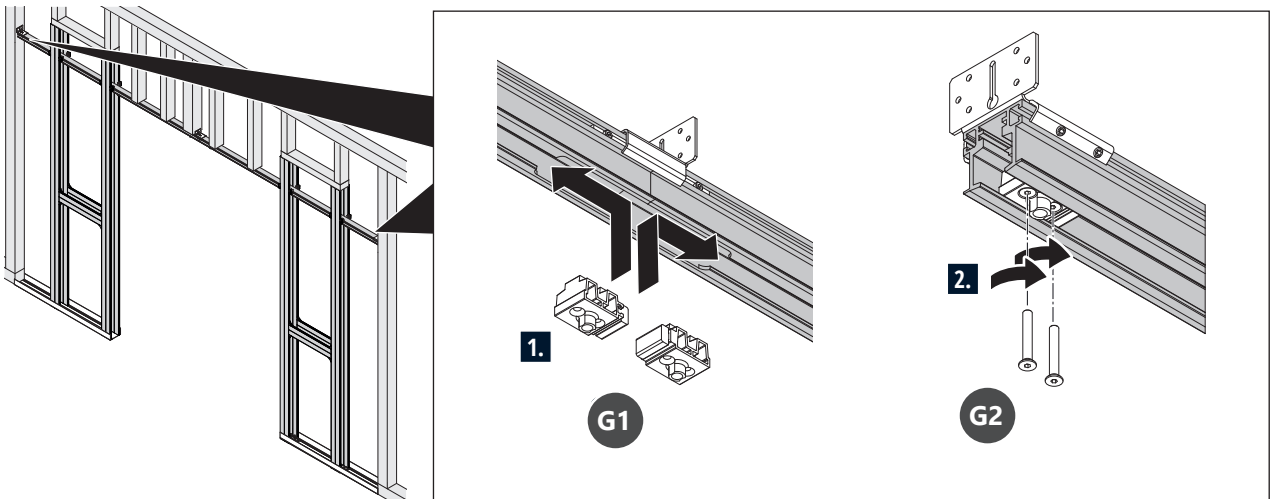
1.



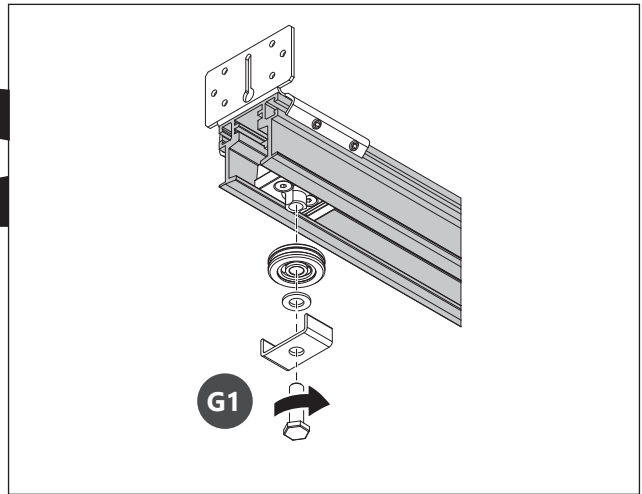
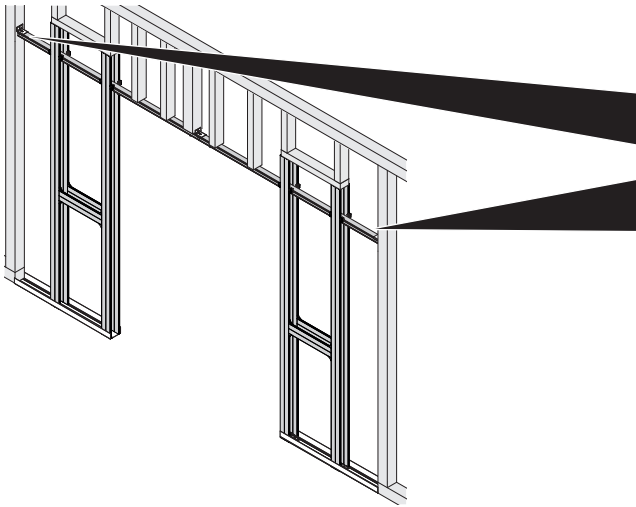
2.



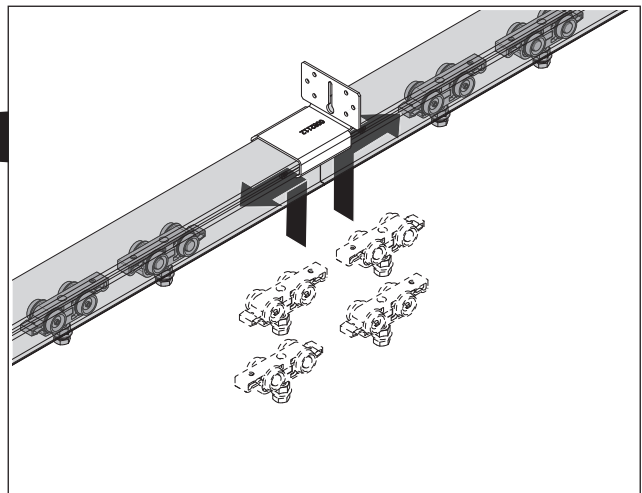
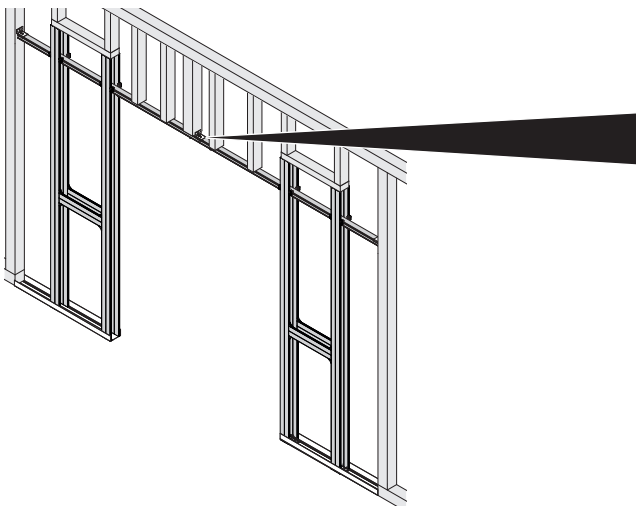
3.



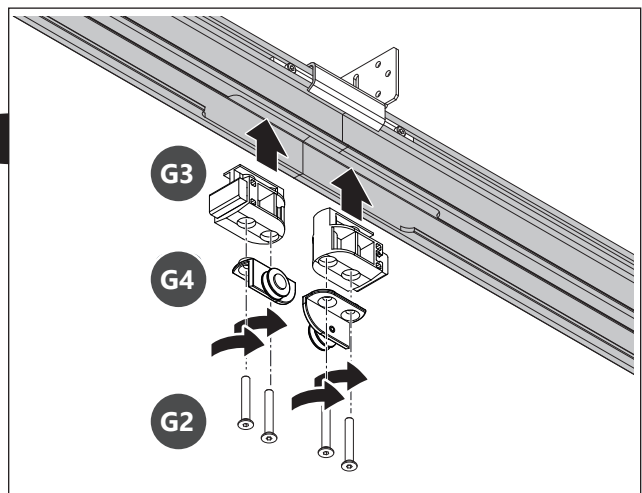
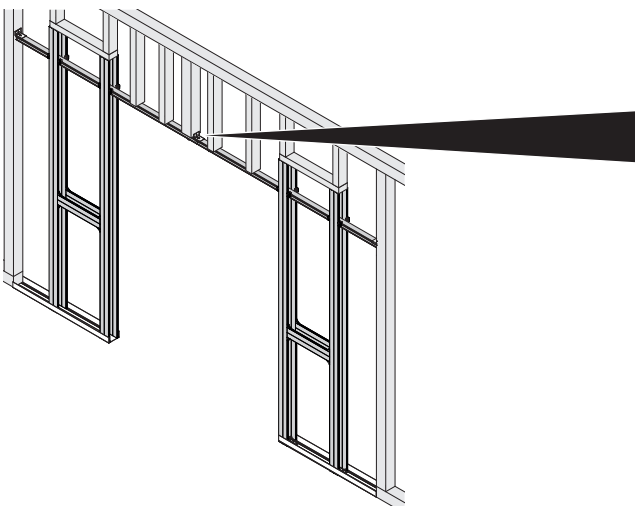
4.



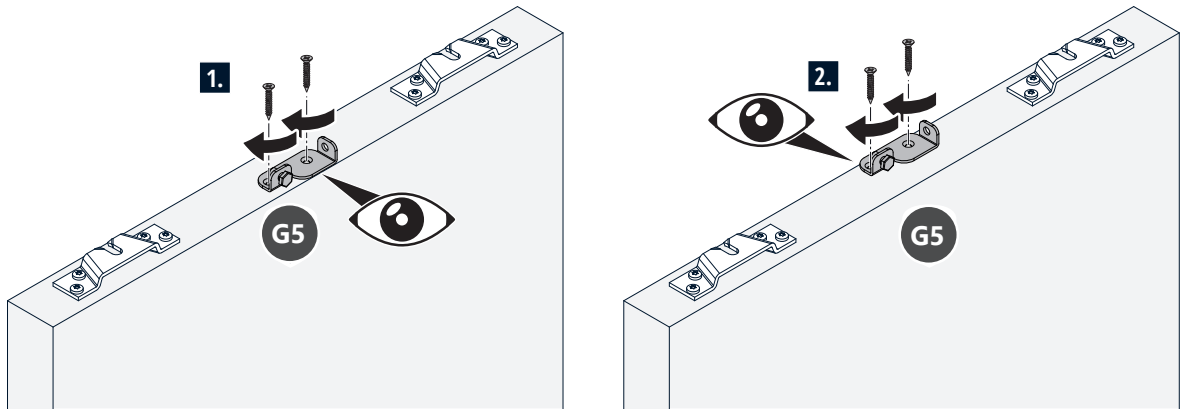
5.



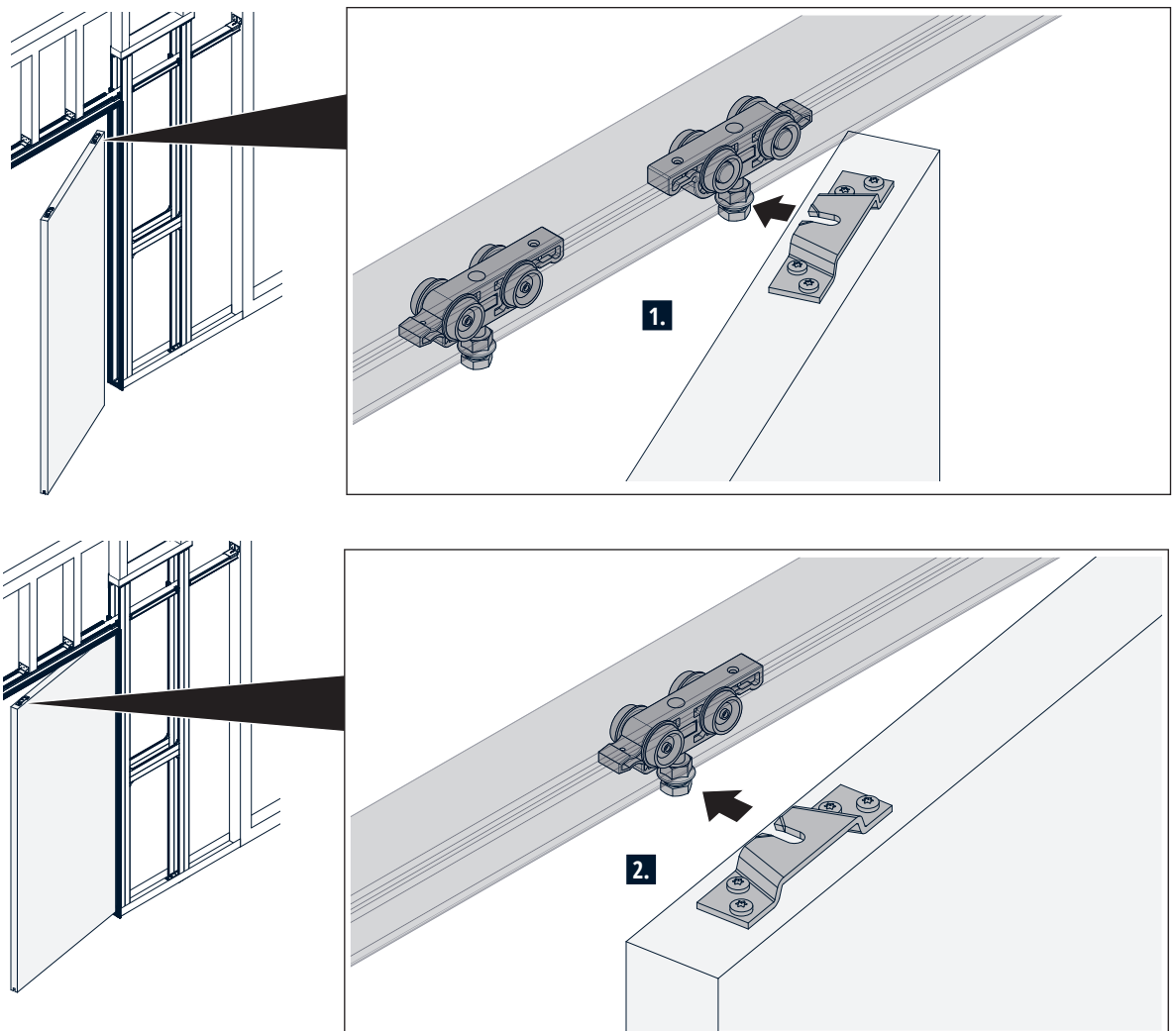
6.



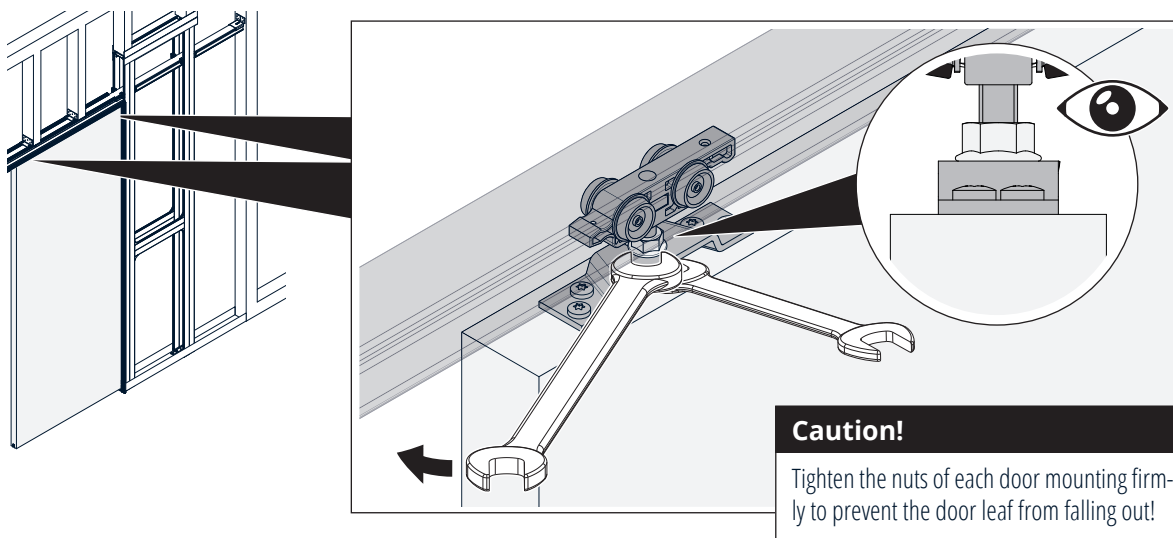
7.



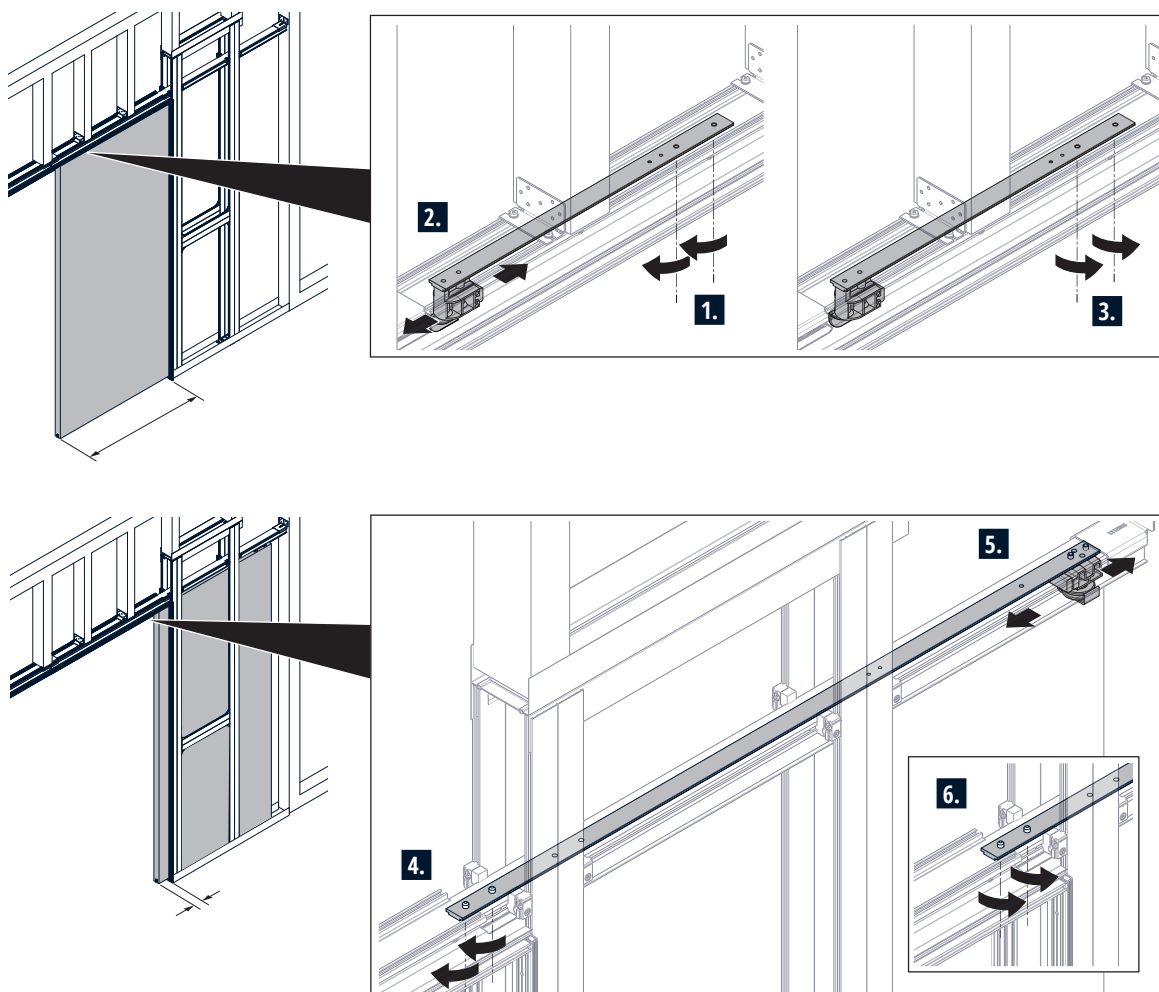
8.



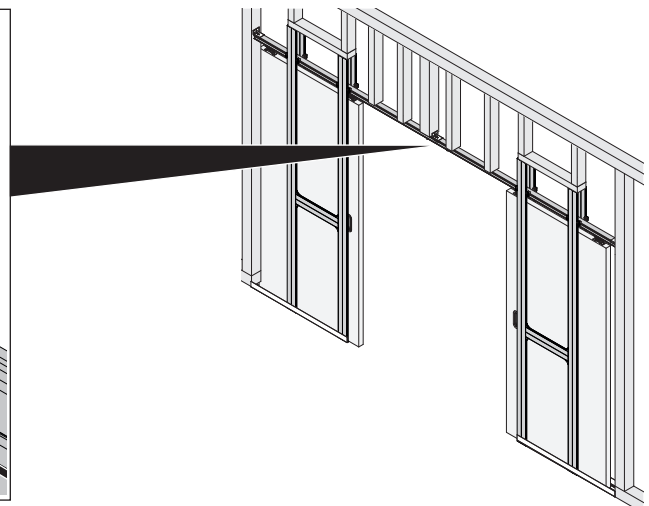
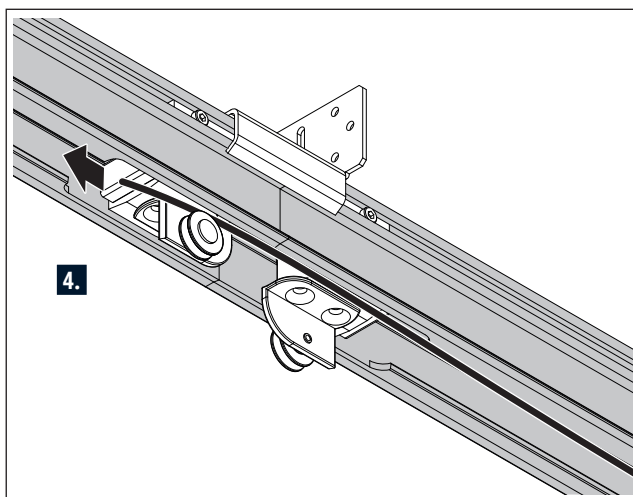
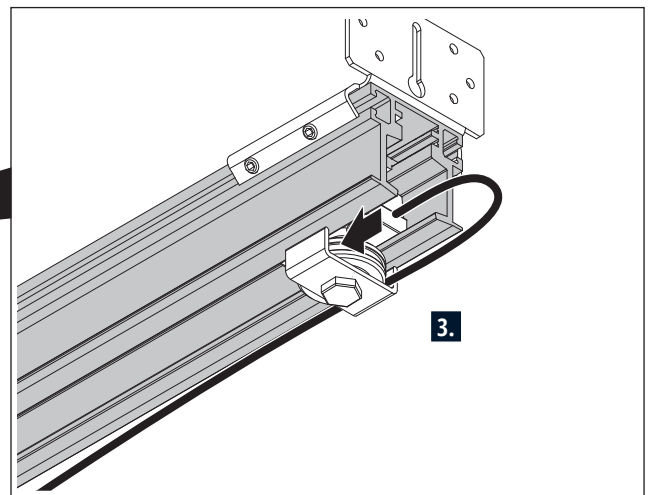
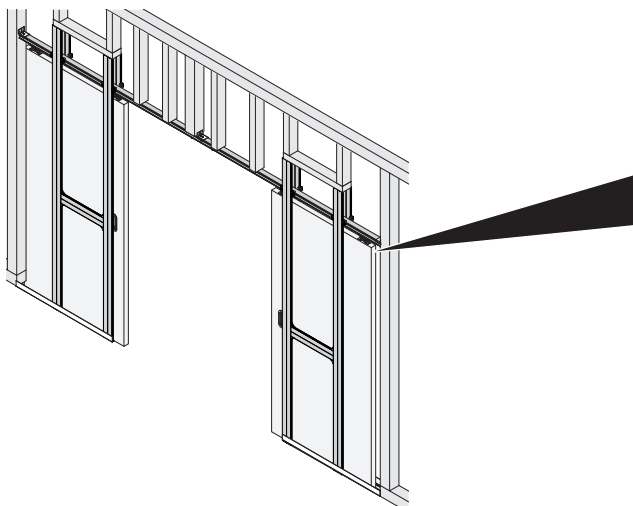
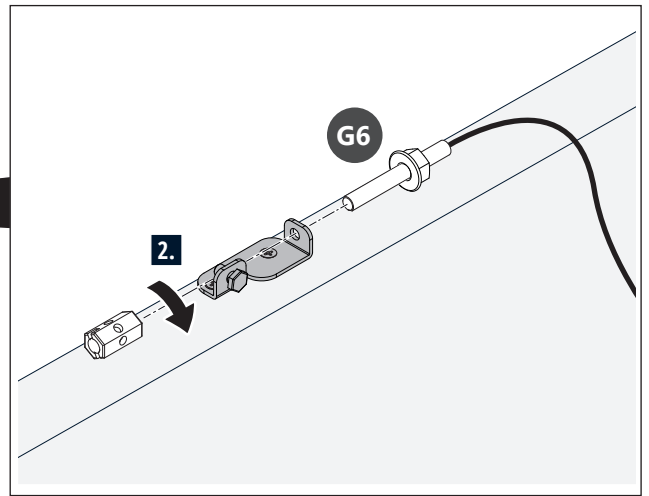
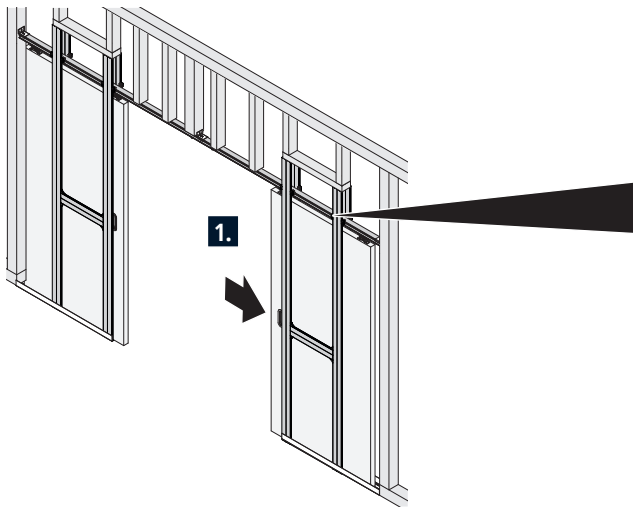
9.



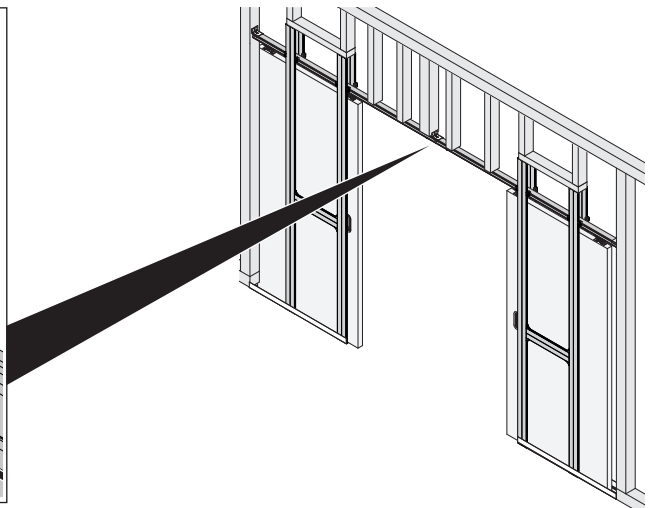
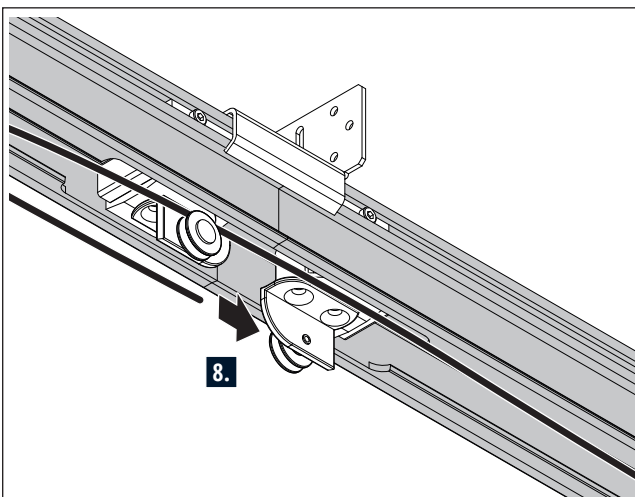
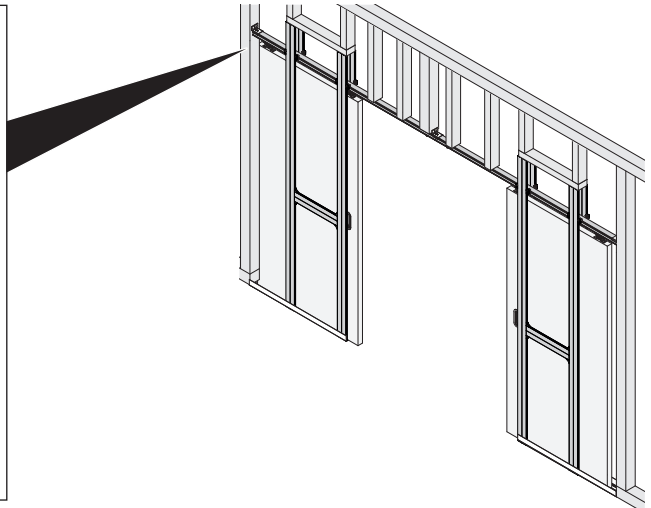
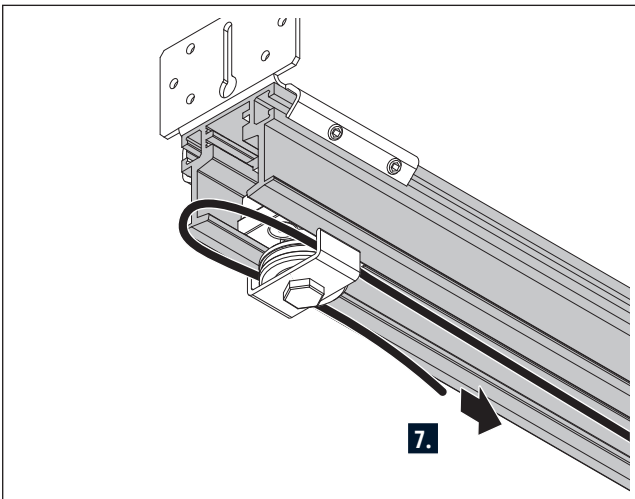
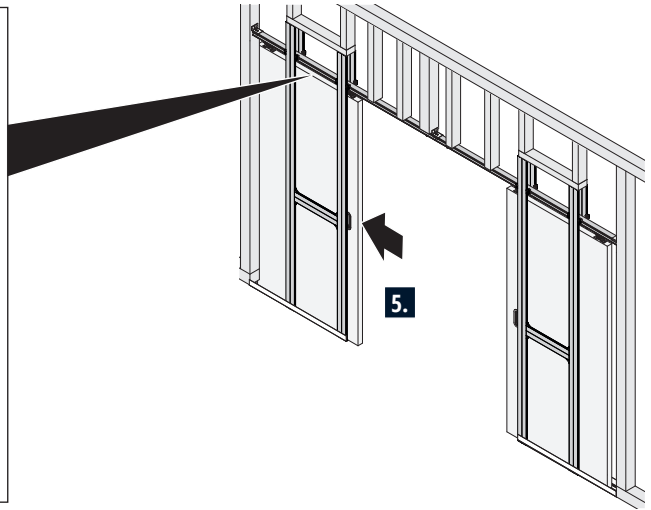
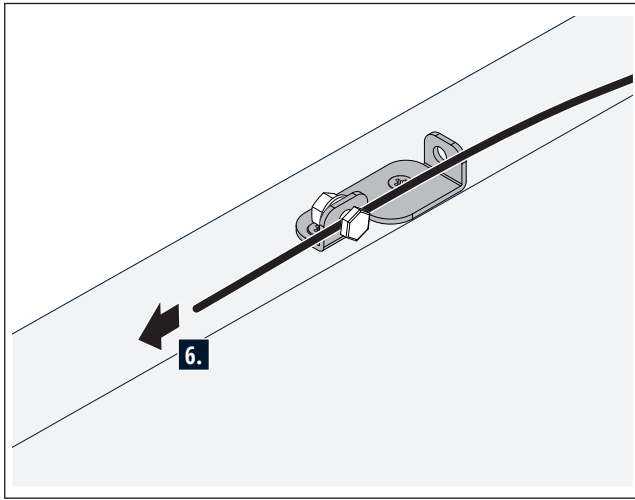
10.



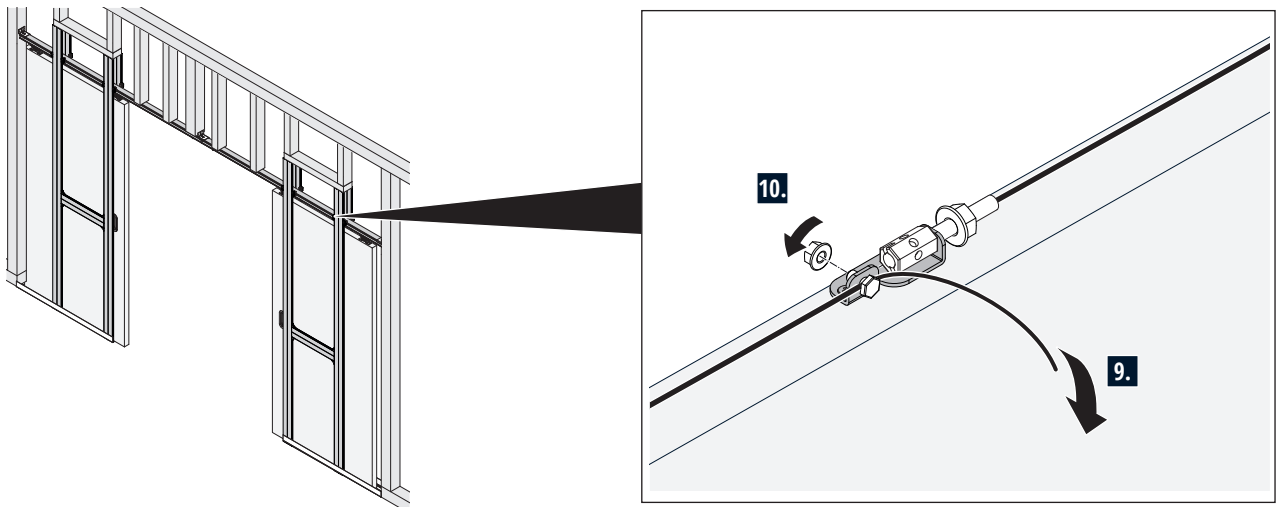
11.



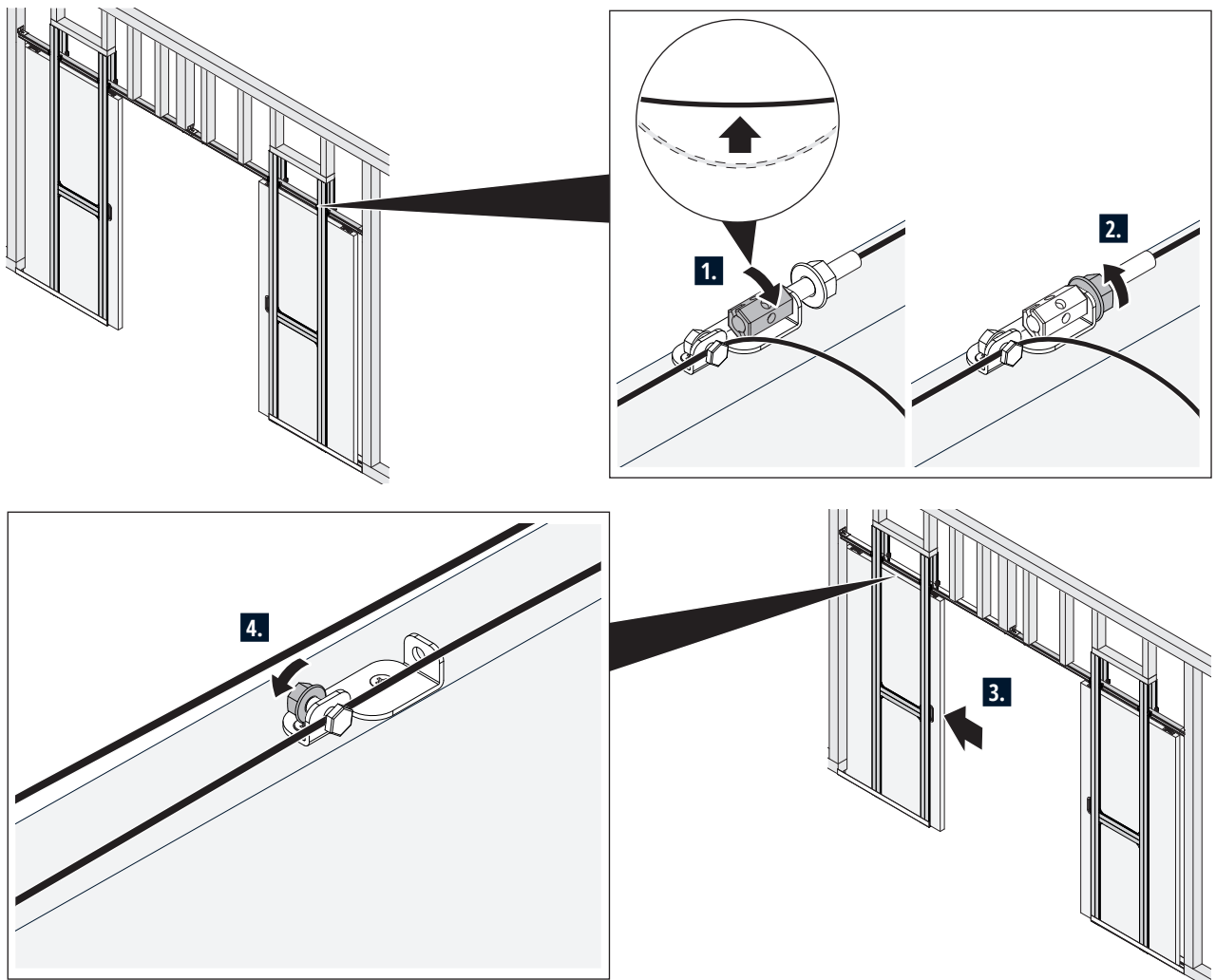
11.



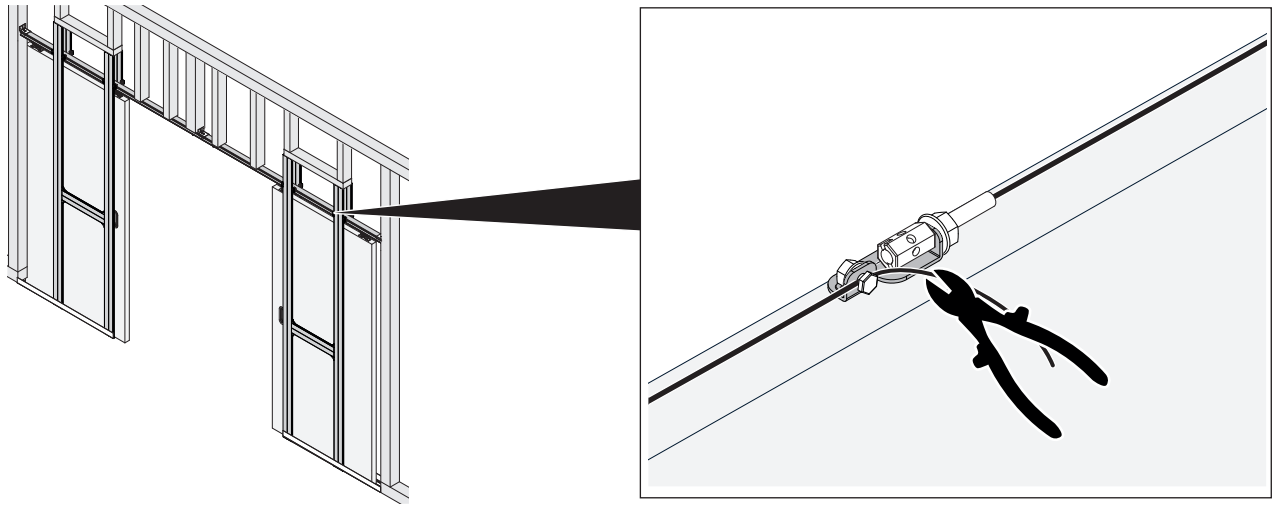
11.



12.



13.





A brand of Bartels USA, Inc.

1901 Tigertail Blvd, Dania Beach, FL 33004

PH: 786 791 8557

E: sales@falkenstein-doors.com