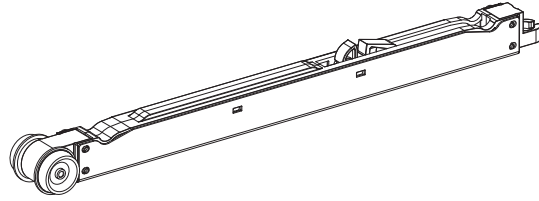


INSTALLATION INSTRUCTION

SLIDING DOOR HARDWARE

article number 0160220

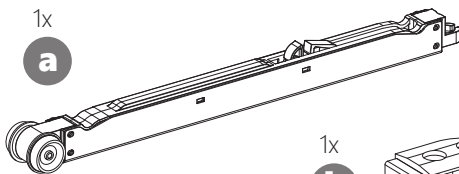
Softclose
for sliding doors
up to 176 lb (80 kg)



i One side

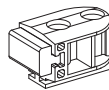
1x

a



1x

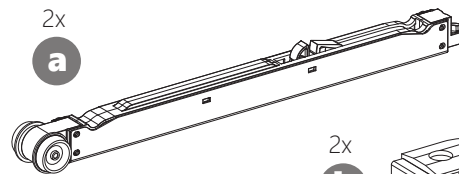
b



Double side

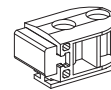
2x

a



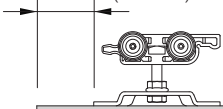
2x

b



i Min. door width with one side softclose: 24" (610 mm)

1 ⁹/₁₆" (40 mm)

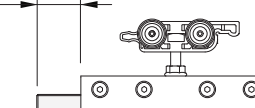


2 ¹/₁₆" (52 mm)

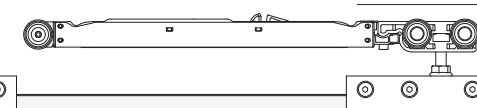


Passage side

1 ¹¹/₁₆" (17 mm)



1 ³/₁₆" (30 mm)

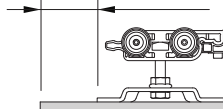


Passage side

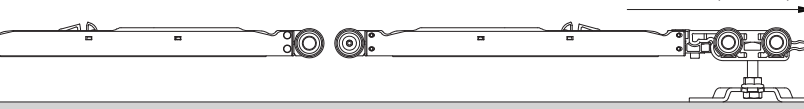
When using a push to open,
consult the separately
enclosed installation
instructions.

Min. door width with double side softclose: 34" (860 mm)

1 ⁹/₁₆" (40 mm)

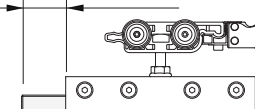


2 ¹/₁₆" (52 mm)

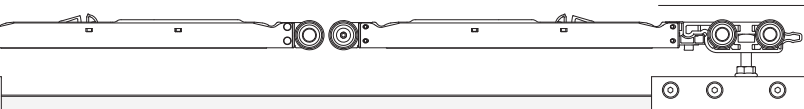


Passage side

1 ¹¹/₁₆" (17 mm)



1 ³/₁₆" (30 mm)

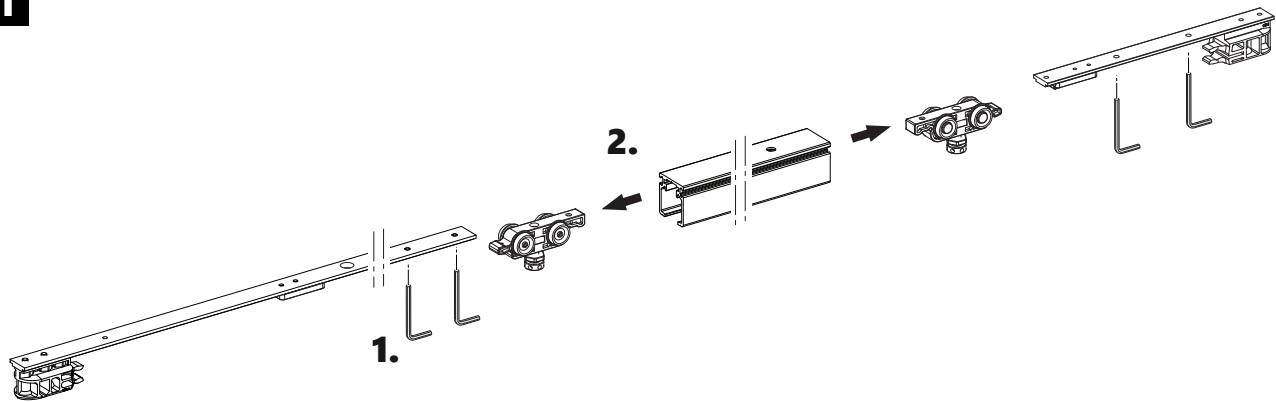


Passage side

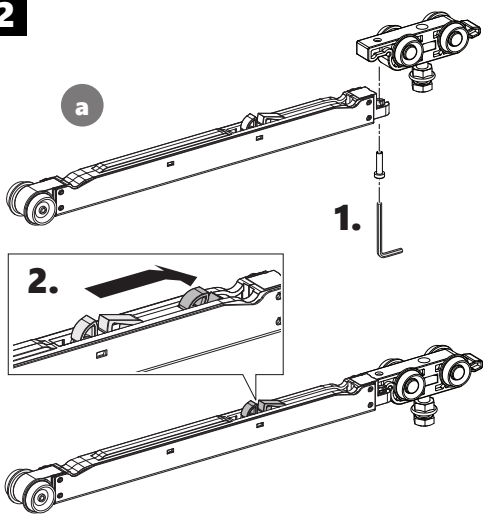
INSTALLATION INSTRUCTION

SLIDING DOOR HARDWARE

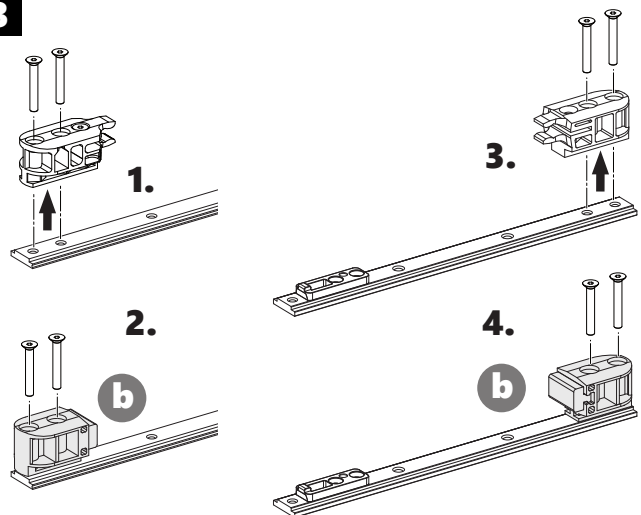
1



2



3



4

