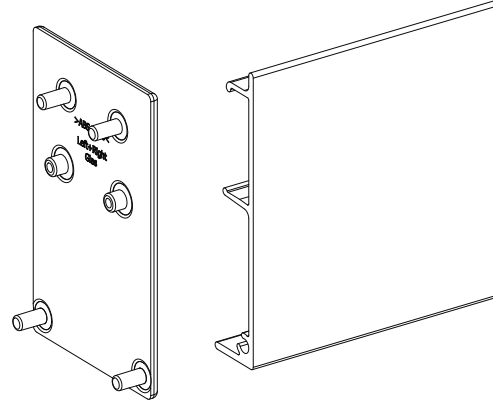


INSTALLATION INSTRUCTION

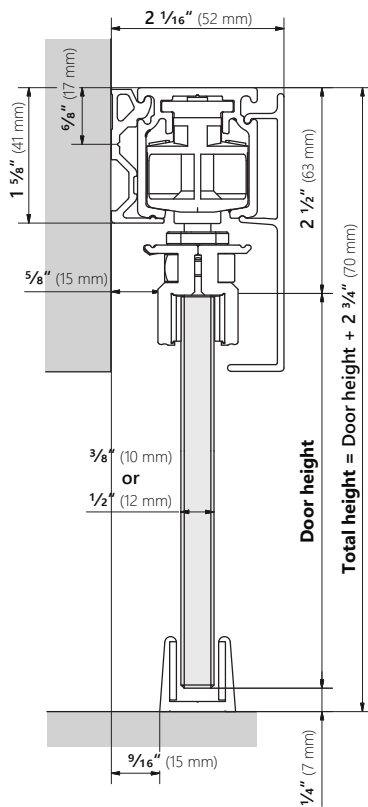
SLIDING DOOR HARDWARE

article number 0160213-02, 0160213-05, 0160214-02, 0160214-05, 0160215-02, 0160215-05

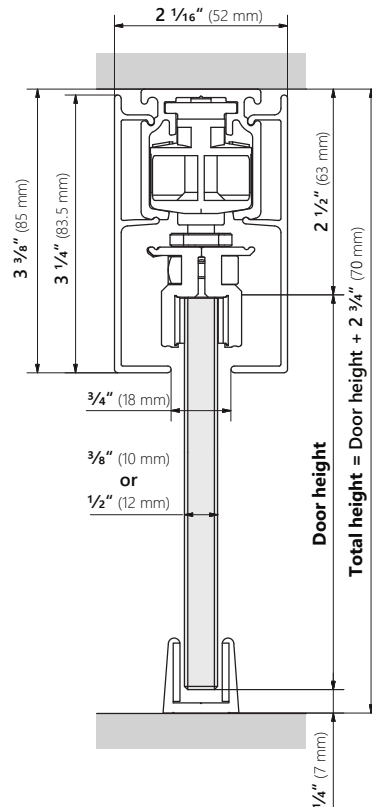
Valance and end caps
for sliding track hardware
with glass clamps



i Wall mounting

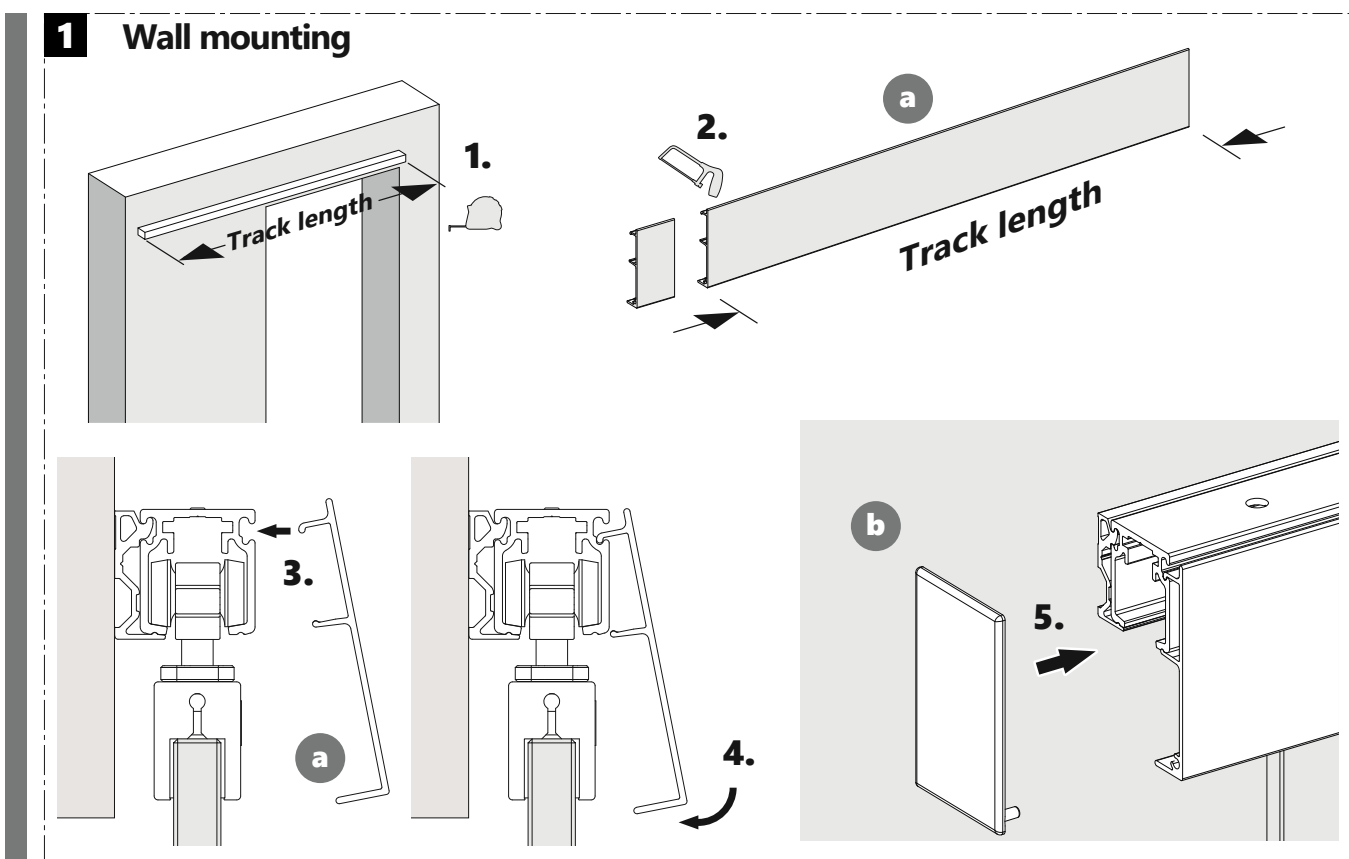
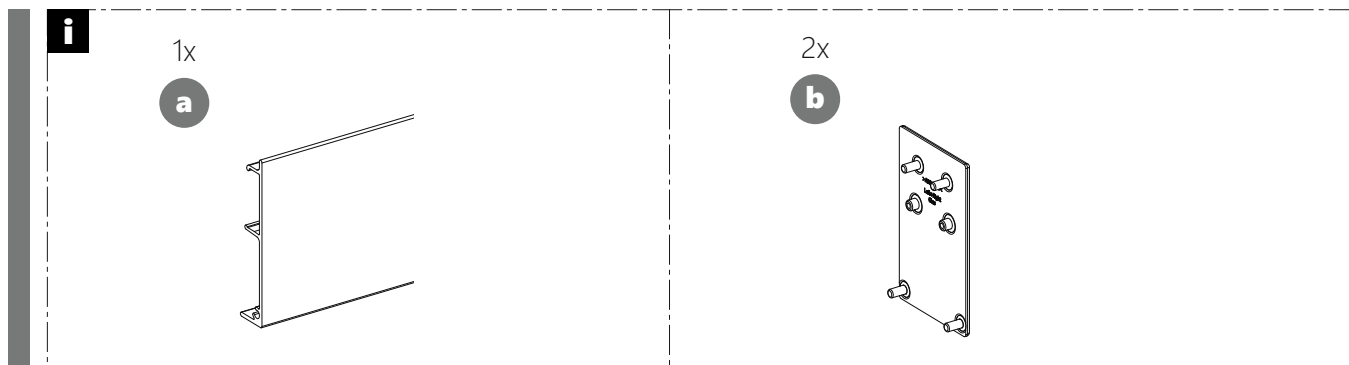


Top mounting



INSTALLATION INSTRUCTION

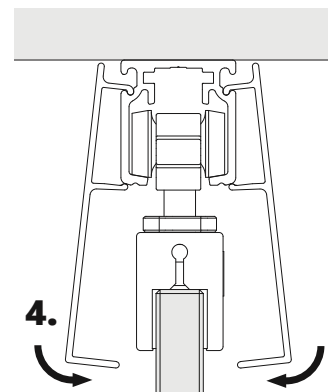
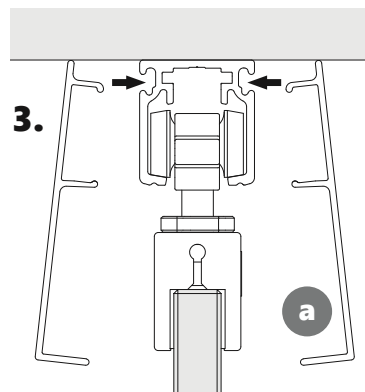
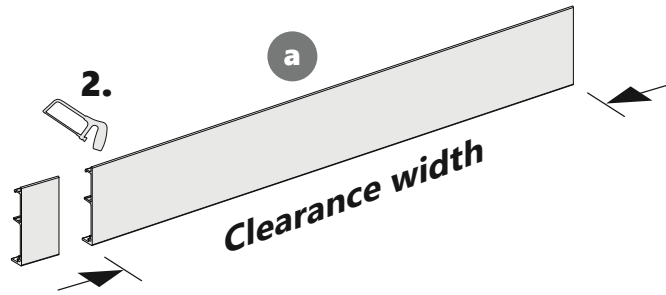
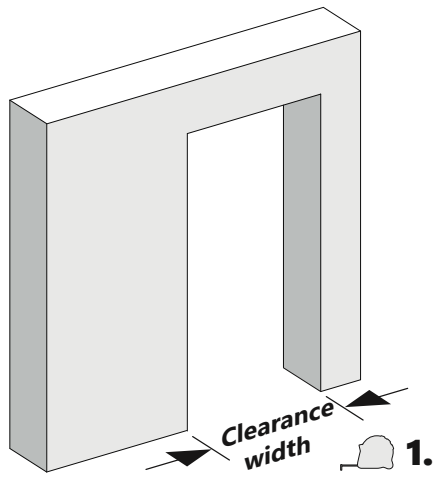
SLIDING DOOR HARDWARE



INSTALLATION INSTRUCTION

SLIDING DOOR HARDWARE

2 Top mounting



INSTALLATION INSTRUCTION

SLIDING DOOR HARDWARE