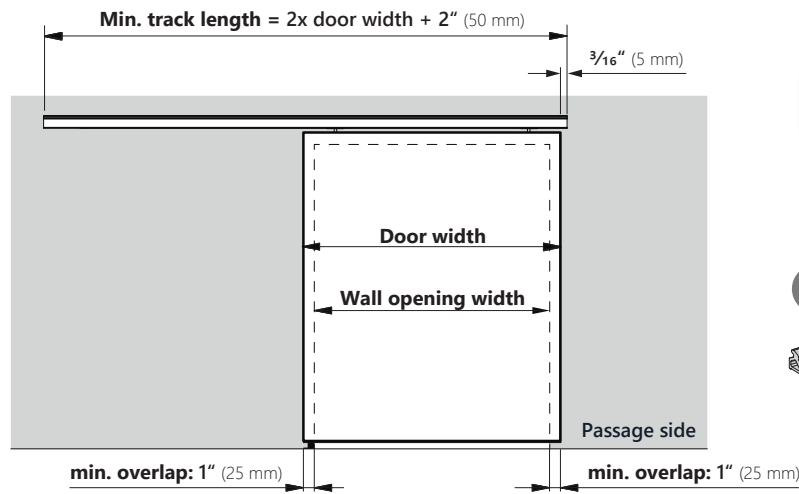




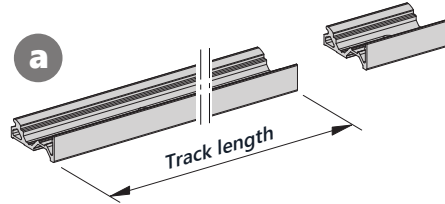
# INSTALLATION INSTRUCTION

## SLIDING DOOR HARDWARE

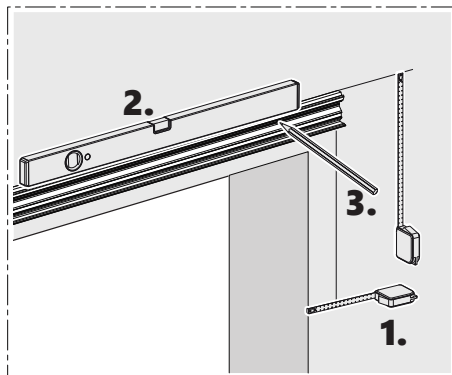
**1**



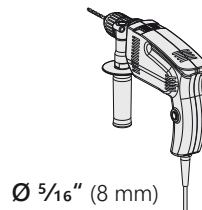
When installing a double door, please follow the instructions provided separately.



**2**

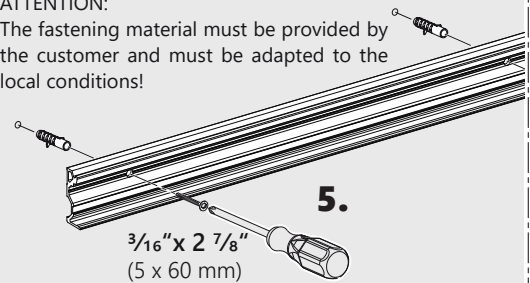


4.



ATTENTION:

The fastening material must be provided by the customer and must be adapted to the local conditions!



**3**

