

VARIO pocket

Pocket door framing
kit for wood and glass
door panels



Advantages of the VARIOpocket

The VARIOpocket is a testament to German craftsmanship at its finest. Our products are manufactured in Germany and in stock in the US, ensuring they're ready for quick dispatch and ideal for efficient storage, thanks to compact packaging.



The maintenance valance can be removed to provide an opening to adjust all components without the need to open the wall.

Maintain with Ease

Our pocket door system with a removable valance (only with the Finish-Up Profiles) and an inspection opening provides easy access and maintenance for hassle-free use. It is designed with practicality and convenience in mind.

Stopper Adjustability

The stopper positions (and optional soft close) can be adjusted even if the wall is closed without the need to open the drywall again.

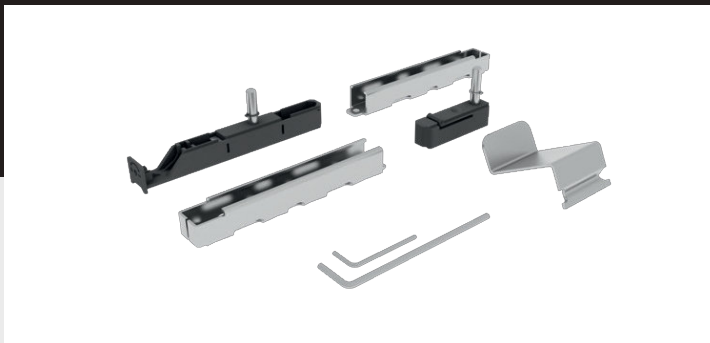
One Size Fits All Doors

With our pocket door kit, you can accommodate all standard door sizes up to 48" width and 96" height.

This saves storage space and offers flexible height adjustment up to 96".

Scope of Delivery

1. Aluminum track
2. Aluminum pocket framing with strengthening clamps
3. Ball bearing wheels
4. Hold-in-position stopper
5. Door mounts
6. Floor guide
7. Mounting hardware



Recessed door mount for wood doors

Unlike the standard door fitting provided in every set, the hidden door mount is incorporated into the wooden door panel itself.

This decreases the gap between track and door. In combination with the frameless jamb it enables the door slab to be removed without opening the wall.



One / Double side soft close

This set is designed to stop the door panel soft and silent on one or both sides.

*Min. 34" door width for double side soft close and 24" min. door width for single soft close.