



# CONTURA

Frameless Interior Doors -  
Modern, Quiet & Self-Closing



Frameless swing door system CONTURA, 1-panel with white lacquered wooden door panel, right hand pull/outswing (left), left hand push/inswing (right)

## Minimalistic design - understated look

Interior doors that are flush with the wall and have no visible frame are great minimalist elements for modern design projects. The hidden door frame allows the door panel to visually merge with the surroundings, creating a clean walk through space when the door is open and a seamless transition from wall to door when closed. This system is made even more luxurious with the option of soft-close hardware that slows the movement of the door allowing it to come to a quite and controlled close.

### FEATURES

- Invisible aluminium frame
- Optional Soft-Closing
- Compatible with deadbolts and European locks
- Inswing and outswing frame options available
- Compatible with wood or metal framing and masonry

### DESIGN

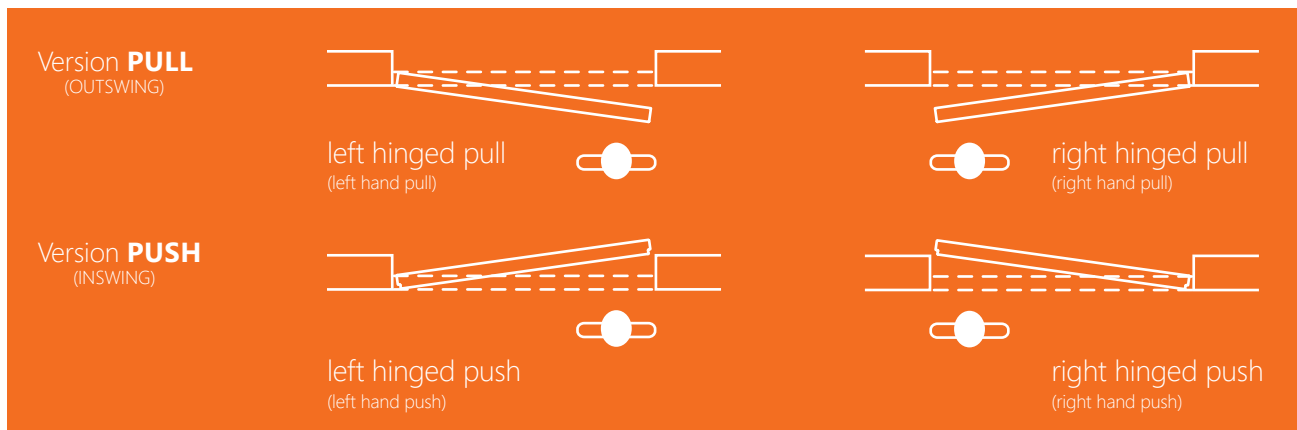
- Flush wall appearance
- Clean minimalist design
- Many finishes of the door panel available
- Concealed hinges

### BENEFITS

- Ideal value for money
- Installation in existing buildings (to replace old doors and frames)
- For up to 43-5/16" x 106-5/16" large doors
- with header for conventional use, without header for floor to ceiling applications
- Effortless installation
- Warranty on profiles

# Flush with the wall

Flush with the wall door systems were designed to be the perfect design companion to minimalist modern design. The CONTURA door frame is characterized by the absence of a visible door frame, minimizing the visual transition from door to wall. The CONTURA is available in inswing or outswing options for optimum functionality; and special design consideration was given allowing the header gap remains visually aligned in both versions allows easy on-site integration.

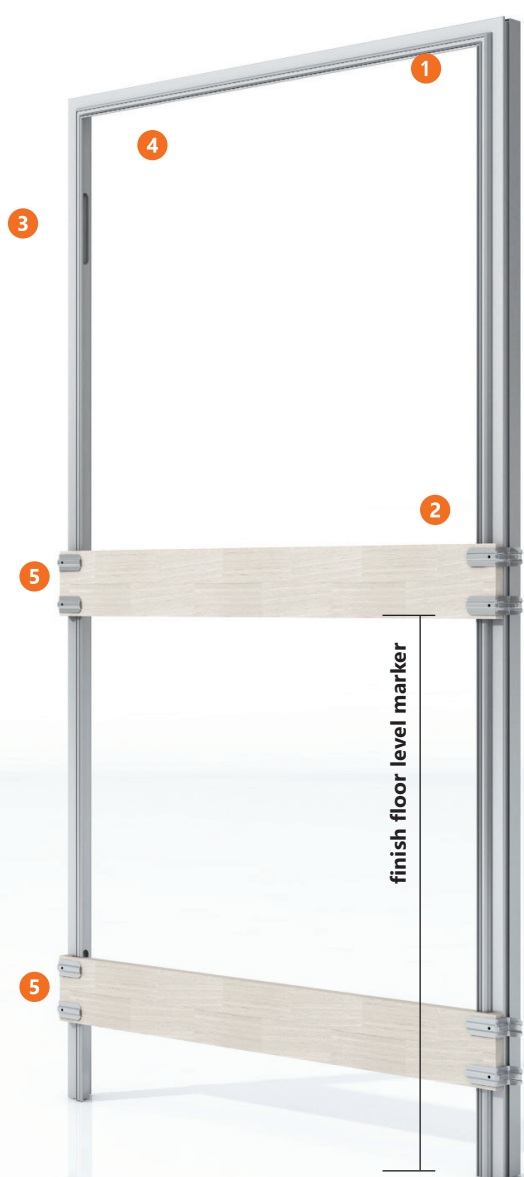


Hinged door system CONTURA, 1-panel with white wooden door leaf, right hand pull (outswing), room-height without header



# The flush hinged door system

The CONTURA door frame is constructed from a robust aluminum profile and thoughtfully designed to make install as easy as possible. The CONTURA is designed for **1 9/16" thick door panels and can be used with 2x4 stud framing and 1/2" or 5/8" drywall**. The powder coated white frame is delivered pre-routed for the concealed hinges included with the CONTURA system. Each frame kit includes our innovative plug-in connectors to aid in accurate and efficient installation into each opening.



## CONTURA REVOLVING DOOR SYSTEM



### 1. Frame

The frame surface is powder coated white (RAL 9016). Using 2k-paint, this can be easily customised (on site) to create an individual look. The contour of the frame also serves as a mechanical adhesive base for the fibre reinforced compound



### 2. Magnetic latch strike plate

The magnetic strike plate is the modern alternative to the traditional wrap around plates. This optional feature, used together with our magnetic mortise, gives the door system a clean and elegant finished look.



### 3. Concealed hinges

The hinge routing is designed to match the requirements of each individual door, using either 2 or 3 hinges, depending on the size.



### 4. Soft self-closing (optional, for door leaves up to 88 lb)

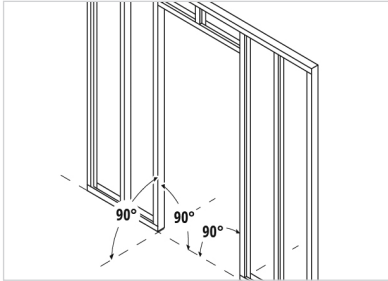
The soft close feature slows the door panel down allowing it to come to a slow and controlled close.



### 5. Mounting aid

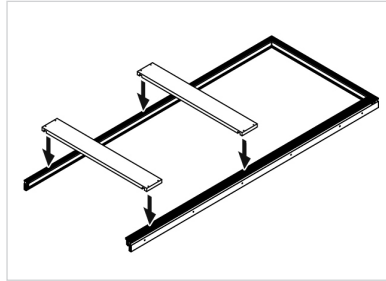
The supplied spacer boards and Z-brackets ensure the frame keeps the factory defined width, allowing your site team to finish surrounding areas before installing the door panel.

# Simple & safe installation



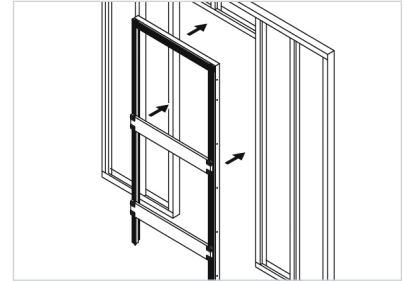
### 1. Define dimensions

See calculation table for rough opening dimensions.



### 2. Assembly of the frame

The position of the two OSB spacer boards is specified.



### 3. Insert frame - ready!

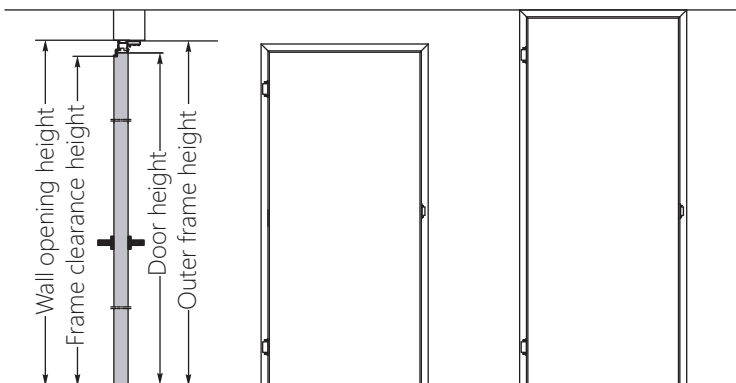
One-man assembly possible thanks to special 3D stop bracket.

Falkenstein door systems are optimized for easy installation by just one person. The frame profiles are assembled by plugging them together and securing the corner connections. The frame is inserted into the wall opening - spacer boards prevent it from shifting or twisting, and a FFL marker also helps with alignment. After adjustment, the door frame is fixed in place. The entire wall, including the frame, can now be finished and the door installed.

---

## Custom design options

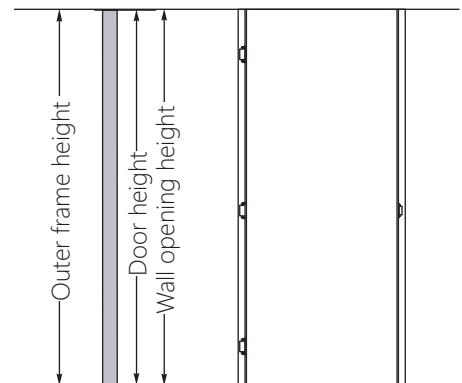
The CONTURA can be customized to fit custom door sizes and be supplied in a header-free floor-to-ceiling version. The CONTURA frameless door kit offers high-quality versatility in it's purist form.



**with header**

standard height

room height



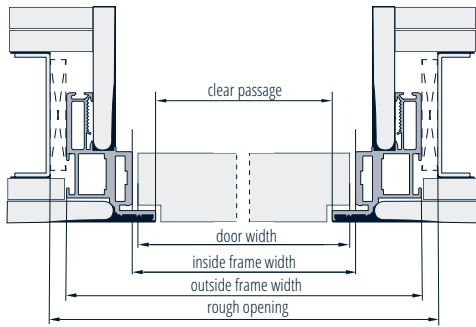
**without header**

room height

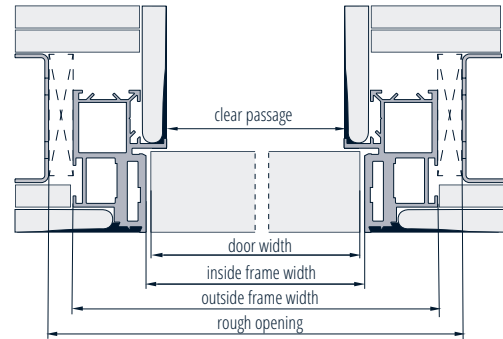
# CONTURA sets standards

## CONTURA FOR DRYWALL

### PUSH variant

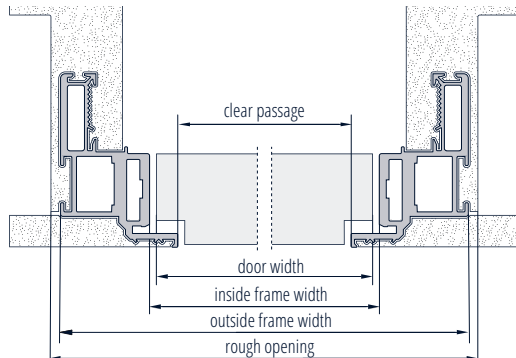


### PULL variant

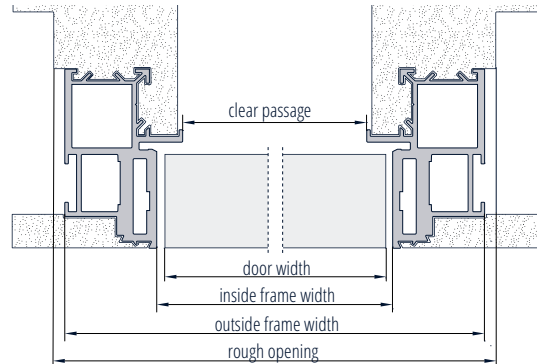


## CONTURA FOR MASONRY

### PUSH variant



### PULL variant



## Size chart

	Width in inch					Height WITH header in inch			Height WITHOUT header in inch		
<b>Rough opening</b>	27 3/8	31 3/8	33 3/8	35 3/8	39 3/8	82 5/16	86 5/16	98 5/16	80 3/8	84 3/8	96 3/8
<b>Door leaf</b>	24	28	30	32	36	80	84	96	80	84	96
<b>Outside frame dimension</b>	27 5/16	31 5/16	33 5/16	35 5/16	39 5/16	82	86	98	80 5/16	84 5/16	96 5/16
<b>PUSH clear passage</b>	23	27	29	31	35	81 13/16	85 13/16	97 13/16	80 3/8	84 3/8	96 3/8
<b>PULL clear passage</b>	23 3/8	27 3/8	29 3/8	31 3/8	35 3/8	80	84	96	80 3/8	84 3/8	96 3/8

All dimensions in inches

CONTURA can be customized in addition to the standard sizes shown above (max. 43-5/16" x 106-5/16" door size).

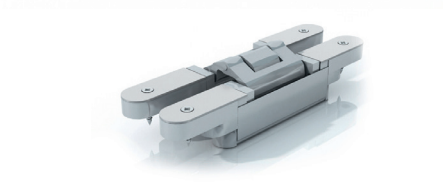
# Accessories

Even the basic version of the CONTURA door system offer you many advantages over conventional kit solutions or self-designed construction of flush-wall frames for hinged doors. Components: Frame, seal, door leaf, concealed hinges, optional soft-close mechanism.



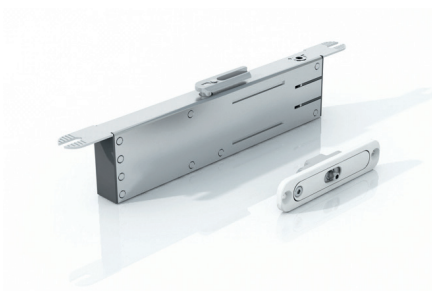
## Magnetic latch lock and magnetic striking plate

Thanks to its compatibility with all standard deadbolt variants, CONTURA can be integrated into existing design concepts. Alternatively, European lock variants can also be used to maximise design diversity and functionality.



## Concealed hinges with 3D adjustability

The hinge routing is designed to match the requirements of each individual door, using either 2 or 3 hinges, depending on the size.



## Soft self-closing (for door leaves up to 88 lb)

The soft close feature allows the door to come to a slow and controlled close. It also reduces the risk of pinched fingers. Note: Soft-Close for header-free version on request.



## European lever handle with 3-piece rosette

The L-shape is one of the design classics among handles. They are based on basic geometric shapes, leave an elegant impression and will match any interior design. Available as passage, privacy or security options and in black or satin stainless steel finishes.



## Smooth, matte, white lacquer similar to RAL 9016 or primed

No door finish can be ingratiated better with the rest of your design than white. White lacquer doors carry a timeless, elegant appearance that compliments any design. A primed door allows you to let your creativity take over and make the door truly your own. By adding a custom wallpaper or paint color the door can blend in with the wall making the transition from wall to door virtually invisible.



A brand of Bartels USA, Inc.

1901 Tigertail Blvd, Dania Beach, FL 33004

PH: 786-791-8557

E: [sales@falkenstein-doors.com](mailto:sales@falkenstein-doors.com)

State 06/2024